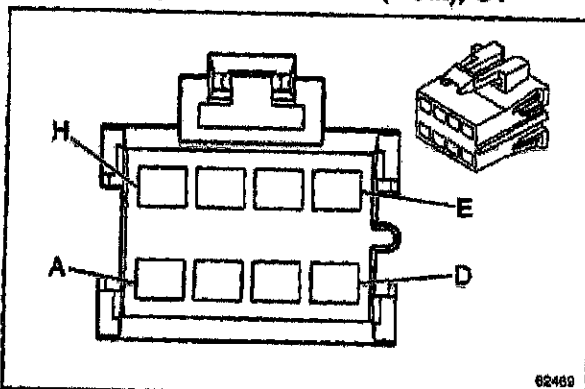


Body Control Module (BCM), C1



Connector Part Information		<ul style="list-style-type: none"> • 12089297 • 8-Way F Metri-Pack 280 Series (NAT) 	
Pin	Wire Color	Circuit No.	Function
A	TAN	894	Driver Door Lock Actuator Unlock Control
B	TAN	294	Door Lock Actuator Unlock Control
C	GRY	295	Door Lock Actuator Lock Control
D	BLK	1550	Ground
E	DK BLU	1399	Courtesy Lamps Supply Voltage
F	GRY/BLK	890	Courtesy Lamp Low Control
G	ORN	240	Battery Positive Voltage
H	ORN	1540	Battery Positive Voltage

Body Control Module (BCM), C1