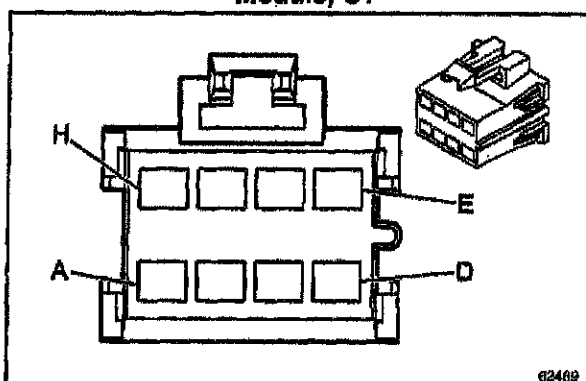


Daytime Running Lamps (DRL) Control Module, C1



Connector Part Information		• 12064998 • 8-Way F Metri-Pack 280 Series (BLK)	
Pin	Wire Color	Circuit No.	Function
A	ORN	1340	Battery Positive Voltage
B-C	—	—	Not Used
D	DK GRN	306	Headlamp Switch Headlamps Off Signal
E	DK BLU	593	DRL Headlamp Low Beam Supply Voltage
F	YEL	10	Headlamp Switch Signal
G	YEL	307	Headlamp Switch Flash to Pass Signal
H	BRN	9	Park Lamp Supply Voltage

Daytime Running Lamps (DRL) Control Module, C1