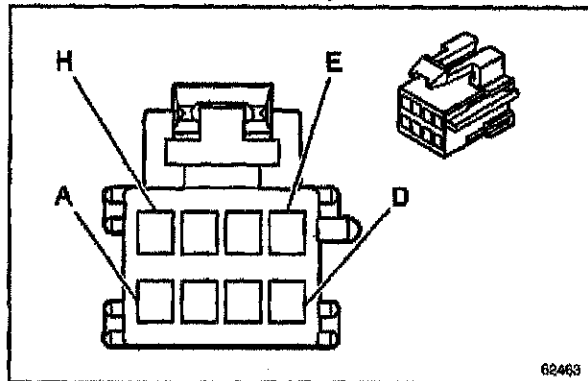


Daytime Running Lamp (DRL) Control Module, C2



Connector Part Information		<ul style="list-style-type: none"> • 12064766 • 8-Way F Metri-Pack 150 Series (BLU) 	
Pin	Wire Color	Circuit No.	Function
A	BLK	1550	Ground
B	WHT	352	Headlamp Relay Coil Control
C	PNK	1239	Ignition 1 Voltage
D	TAN/WHT	39	Brake Warning Indicator Control
E	LT BLU	1134	Park Brake Switch Signal
F	BRN	541	Ignition 3 Voltage
G	LT GRN/ BLK	1137	DRL Ambient Light Sensor Low Reference
H	YEL/BLK	1138	DRL Ambient Light Sensor Signal

Daytime Running Lamp (DRL) Control Module, C2