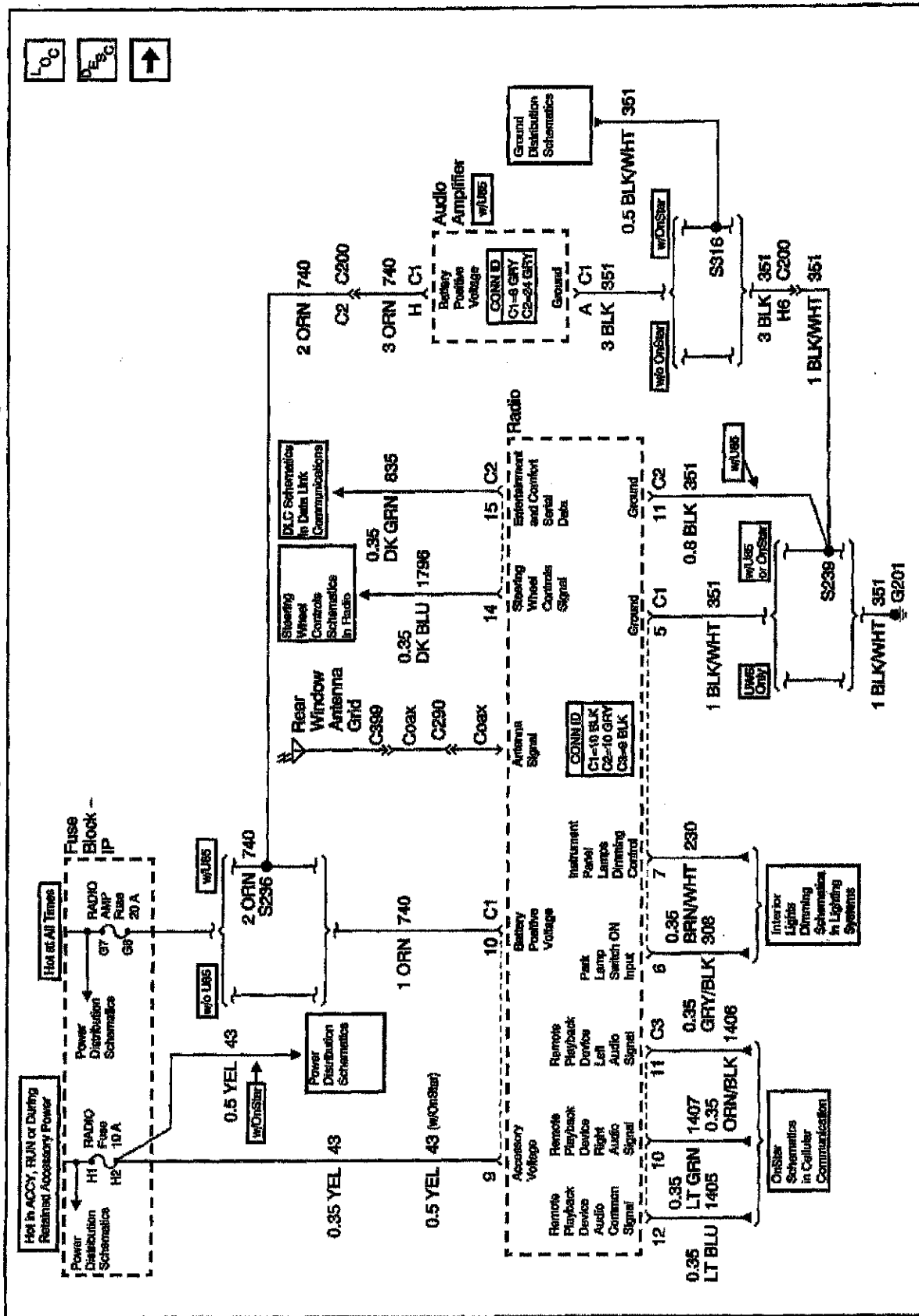


776801

Radio/Audio System Schematics (Power and Ground)



Radio/Audio System Schematics: Power And Ground