

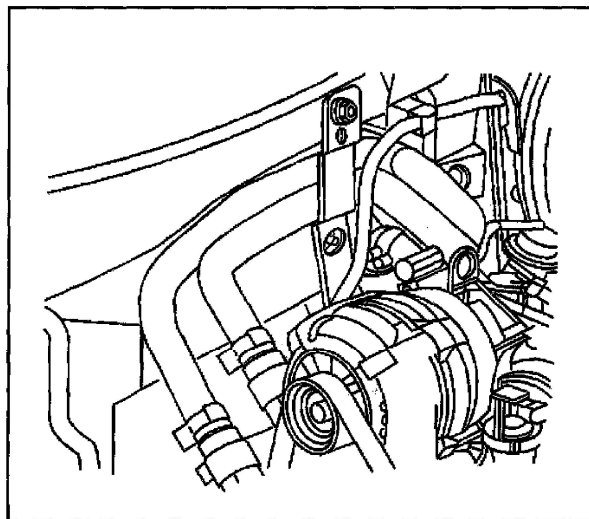
## Heater Hose: Service and Repair

### Heater Hose Replacement - Inlet

#### TOOLS REQUIRED

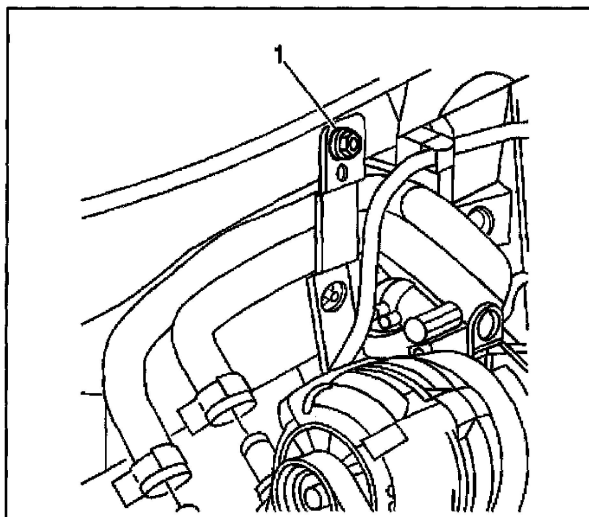
J 38185 Hose Clamp Pliers

#### REMOVAL PROCEDURE



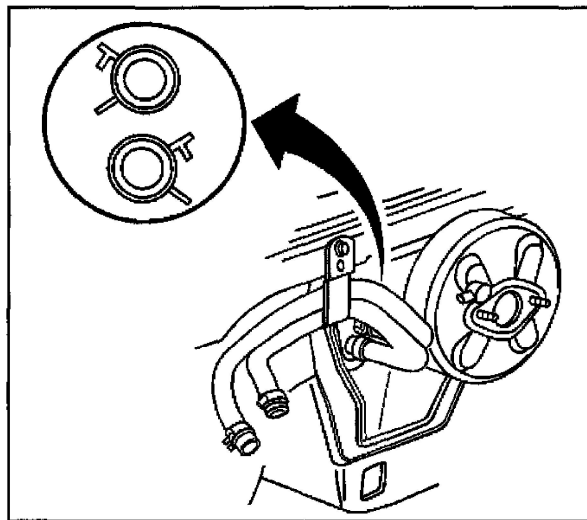
415893

1. Drain the cooling system. Refer to Draining and Filling Cooling System in Cooling System.
2. Remove the fuel injector sight shield.
3. Use J 38185 in order to position aside the heater hose inlet clamp at the pipe adapter.
4. Disconnect the heater inlet hose from the pipe adapter.



415890

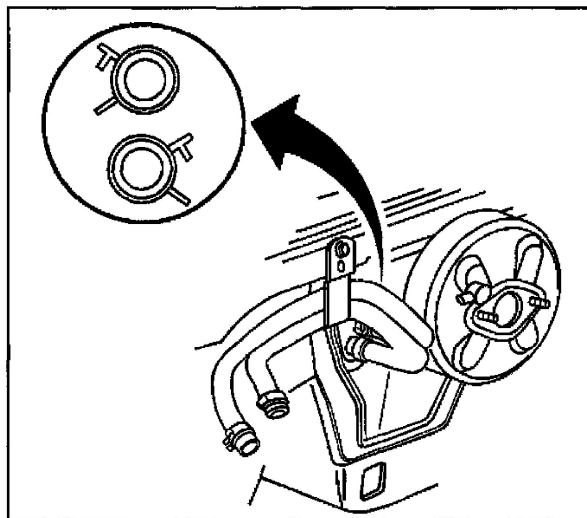
5. Remove the heater hose support bracket nut (1).



415886

6. Use J 38185 in order to position aside the heater core inlet hose clamp.
7. Disconnect the heater inlet hose from the heater core.
8. Separate the support bracket and remove the heater inlet hose.

#### INSTALLATION PROCEDURE

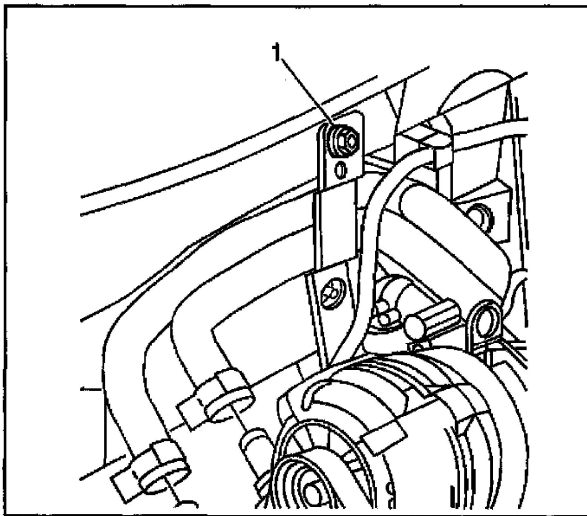


415886

1. Install the heater inlet hose and support bracket.
2. Connect the heater inlet hose to the heater core.

**IMPORTANT:** Position heater core hose clamps in the indicated location.

3. Use J 38185 in order to secure the heater core hose inlet clamp.



415890

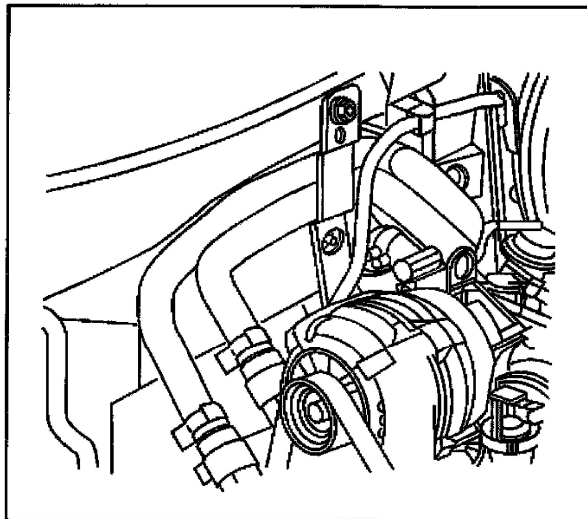
4. Install the heater hose support bracket.

**NOTE:** Refer to Fastener Notice in Service Precautions.

5. Install the support bracket nut (1).

**Tighten**

Tighten the nut to **4.5 N.m (40 lb in)**.



415893

6. Connect the heater inlet hose to the pipe adapter.
7. Use J 38185 in order to secure the heater hose inlet clamp.
8. Install the fuel injector sight shield.
9. Refill the cooling system. Refer to Draining and Filling Cooling System in Cooling System.