

## 2002 Pontiac GRAND PRIX

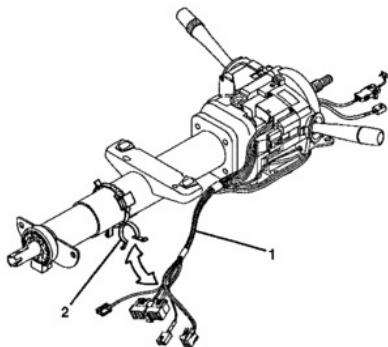
Submodel: | Engine Type: V6 | Liters: 3.8

Fuel Delivery: FI | Fuel: GAS

### Ignition Switch Replacement - On Vehicle

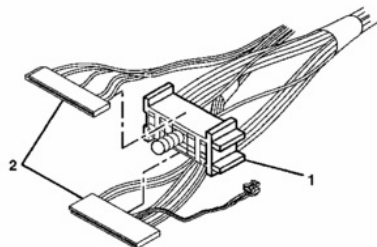
#### Removal Procedure

1. Disconnect the negative battery cable from the battery. Refer to Battery Negative Cable Disconnect/Connect Procedure in Engine Electrical.
2. Disable the SIR system. Refer to Disabling the SIR System in SIR.
3. Remove the inflatable restraint steering wheel module. Refer to Inflatable Restraint Steering Wheel Module Replacement in SIR.
4. Remove the steering wheel. Refer to Steering Wheel Replacement .
5. Remove the upper and lower steering column trim covers. Refer to Steering Column Trim Covers Replacement - On Vehicle .



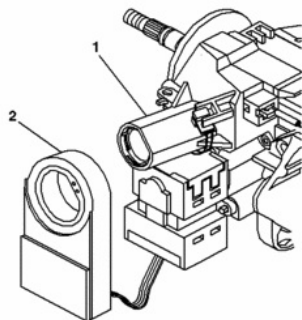
[Click to Enlarge](#)

6. Remove the wire harness straps (2) from the steering column and the wire harness assembly (1).



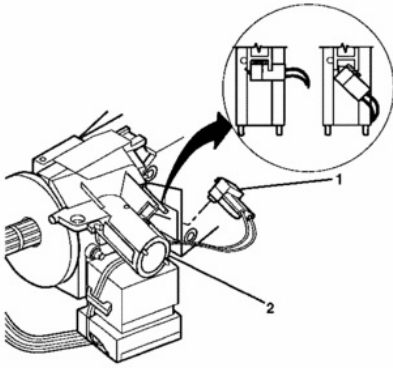
[Click to Enlarge](#)

7. Slide the connectors (2) of the turn signal and multifunction switch assembly out of the bulkhead connector (1).
8. Remove the ignition lock cylinder. Refer to Ignition Lock Cylinder Replacement - On Vehicle .



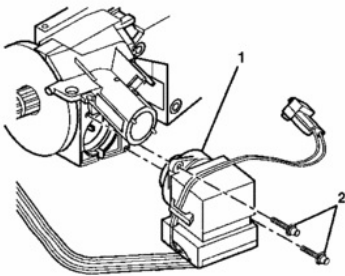
[Click to Enlarge](#)

9. If the vehicle is equipped with a theft deterrent module (2), remove the theft deterrent module (2) from the lock module assembly.



[Click to Enlarge](#)

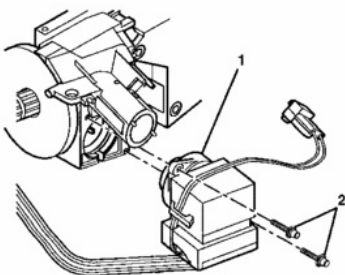
10. Remove the key alarm connector (1) from the lock module assembly (2).
  - A. Rotate the key alarm connector (1) 90 degrees.
  - B. Pull the key alarm connector (1) out of the lock module assembly (2).



[Click to Enlarge](#)

11. Remove the tapping screws (2) from the ignition and key alarm switch assembly (1).
12. Remove the ignition and key alarm switch assembly (1) from the lock module assembly.

## Installation Procedure



[Click to Enlarge](#)

1. Install the ignition and key alarm switch assembly (1) onto the lock module assembly.

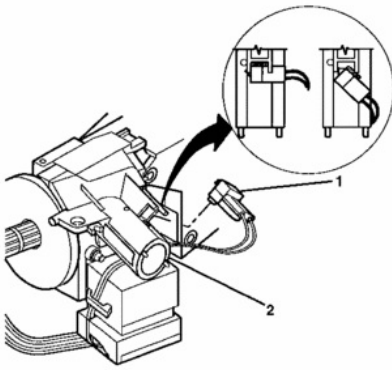
### Caution!

Use the correct fastener in the correct location. Replacement fasteners must be the correct part number for that application. Fasteners requiring replacement or fasteners requiring the use of thread locking compound or sealant are identified in the service procedure. Do not use paints, lubricants, or corrosion inhibitors on fasteners or fastener joint surfaces unless specified. These coatings affect fastener torque and joint clamping force and may damage the fastener. Use the correct tightening sequence and specifications when installing fasteners in order to avoid damage to parts and systems.

2. Screw the tapping screws (2) into the ignition and key alarm switch assembly (1).

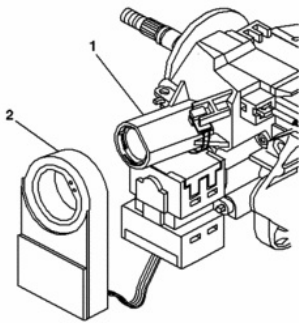
### Tighten

Tighten the tapping screws to 1.5 N·m (13 lb in).



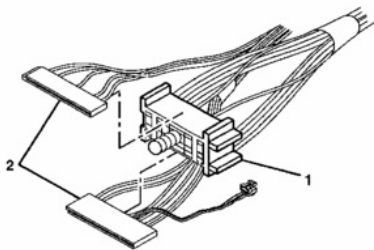
[Click to Enlarge](#)

3. Install the key alarm connector (1) into the lock module assembly (2).
  - A. Push the key alarm connector (1) into the lock module assembly (2).
  - B. Rotate the key alarm connector (1) 90 degrees so that the key alarm connector (1) locks into place.



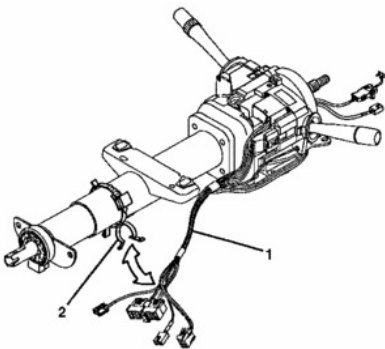
[Click to Enlarge](#)

4. If the vehicle is equipped with a theft deterrent module (2), install the theft deterrent module (2) into the lock module assembly.
5. Install the ignition lock cylinder. Refer to Ignition Lock Cylinder Replacement - On Vehicle .



[Click to Enlarge](#)

6. Slide the (2) connectors of the turn signal and multifunction switch assembly into the bulkhead connector (1).



[Click to Enlarge](#)

7. Attach the wire harness straps (1) to the wire harness assembly (2) and the steering column.
8. Install the upper and lower steering column trim covers. Refer to Steering Column Trim Covers Replacement - On Vehicle .
9. Install the steering wheel. Refer to Steering Wheel Replacement .

10. Install the inflatable restraint steering wheel module. Refer to Inflatable Restraint Steering Wheel Module Replacement in SIR.
11. Enable the SIR system. Refer to Enabling the SIR System in SIR.
12. Connect the negative battery cable to the battery. Refer to Battery Negative Cable Disconnect/Connect Procedure in Engine Electrical.