

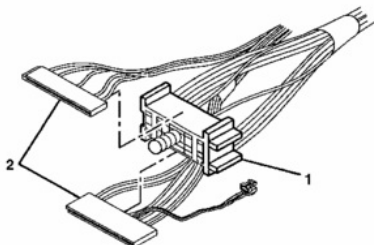
2002 Pontiac GRAND PRIX

Submodel: | Engine Type: V6 | Liters: 3.8

Fuel Delivery: FI | Fuel: GAS

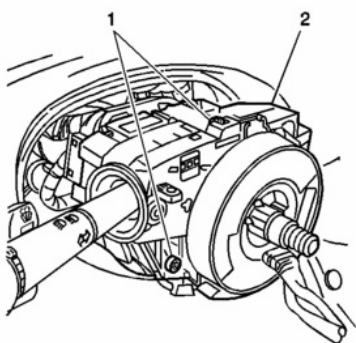
Multifunction, Turn Signal, and Hazard Switch Replacement - On Vehicle

Removal Procedure



[Click to Enlarge](#)

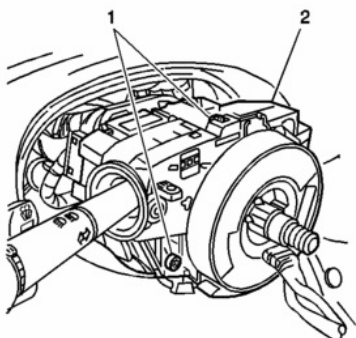
1. Disconnect the negative battery cable. Refer to Battery Negative Cable Disconnect/Connect Procedure in Engine Electrical.
2. Disable the SIR system. Refer to Disabling the SIR System in SIR.
3. Remove the steering wheel. Refer to Steering Wheel Replacement .
4. Remove the steering column trim covers. Refer to Steering Column Trim Covers Replacement - On Vehicle .
5. Remove the wire harness straps from the wire harness assembly on the steering column.
6. Disconnect the multifunction switch assembly connector from the SIR coil assembly connector.
7. Slide the multifunction switch assembly connectors (2) out of the steering column bulkhead connector (1).



[Click to Enlarge](#)

8. Remove the screws (1) from the multifunction switch assembly (2).
9. Remove the multifunction switch assembly (2) from the steering column.

Installation Procedure



[Click to Enlarge](#)

1. Using a small flat-blade tool compress the electrical contact and move the multifunction switch assembly (2) into position on the steering column.

Caution!

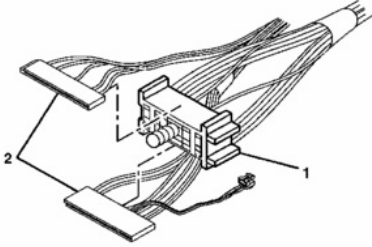
Use the correct fastener in the correct location. Replacement fasteners must be the correct part number for that application. Fasteners requiring replacement or fasteners requiring the use of thread locking compound or sealant are identified in the service procedure. Do not use paints, lubricants, or corrosion inhibitors on fasteners or fastener joint surfaces unless specified. These coatings affect fastener torque and joint clamping force and may damage the fastener. Use the correct tightening sequence and specifications when installing fasteners in order to avoid damage to parts and systems.

2. Verify that the electrical contact of the multifunction switch assembly rests on the turn signal canceling cam.

Install the multifunction switch assembly screws (1) to the multifunction switch assembly (2).

Tighten

Tighten the screws to 7 N·m (62 lb in).



[Click to Enlarge](#)

3. Connect the multifunction switch assembly connectors (2) into the steering column bulkhead connector (1).
4. Reconnect the multifunction switch assembly connector to the SIR coil assembly connector.
5. Install the wire harness assembly to the steering column wire harness straps.
6. Verify that the lever is in the center or the OFF position.
7. Install the steering column trim covers. Refer to Steering Column Trim Covers Replacement - On Vehicle .
8. Install the steering wheel to the steering column. Refer to Steering Wheel Replacement .
9. Enable the SIR system. Refer to Enabling the SIR System in SIR.
10. Connect the negative battery cable. Refer to Battery Negative Cable Disconnect/Connect Procedure in Engine Electrical.