

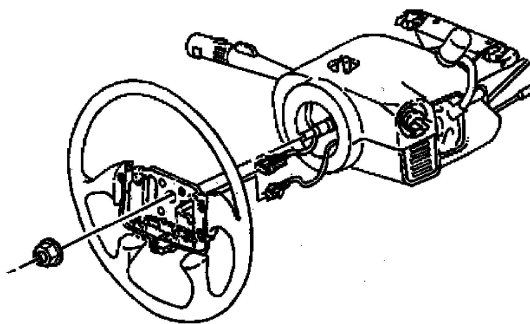
Steering Wheel: Service and Repair

Steering Wheel Replacement

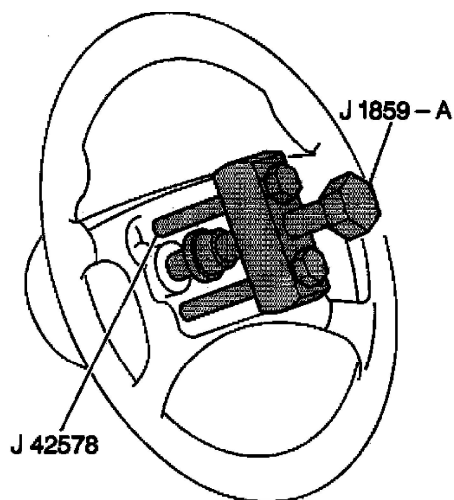
^ Tools Required

- J 1859-A Steering Wheel Puller
- J 42578 Steering Wheel Puller Legs

Removal Procedure

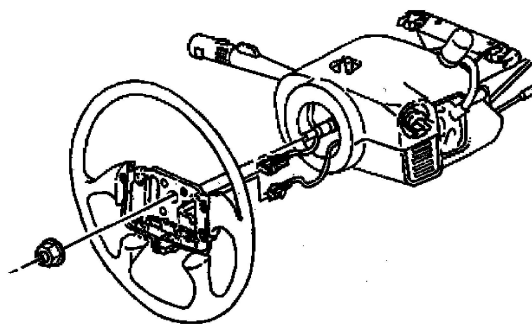


1. Disable the SIR system.
2. Turn OFF the ignition.
3. Remove the Inflatable restraint steering wheel module.
4. Scribe an alignment mark on the steering wheel hub. Align the mark with the slash mark on the steering shaft.
5. Loosen the steering wheel nut.
6. Position the steering wheel nut flush with the end of the steering shaft.



7. Assemble J 1859-A with J 42578 on the steering wheel.
8. Use J 1859-A with J 42578 in order to unseat the steering wheel from the steering shaft.
9. Remove J 1859-A and J 42578 from the steering wheel.
10. Remove the steering shaft nut.
11. Remove the steering wheel from the steering shaft.
12. Unroute the SIR connector from the steering wheel.

Installation Procedure



1. Route the SIR connector through the steering wheel.
2. Align the scribe mark on the steering wheel with the slash mark on the steering shaft.
3. Install the steering wheel.

Notice: Refer to Fastener Notice in Service Precautions.

4. Install the steering shaft nut.
 - ^ Tighten the steering shaft nut to **45 Nm (33 ft. lbs.)**.
5. Install the Inflatable restraint steering wheel module.
6. Enable the SIR system.
7. Inspect the operation of the following Components:
 - ^ The horn
 - ^ The steering wheel
 - ^ The steering wheel controls