

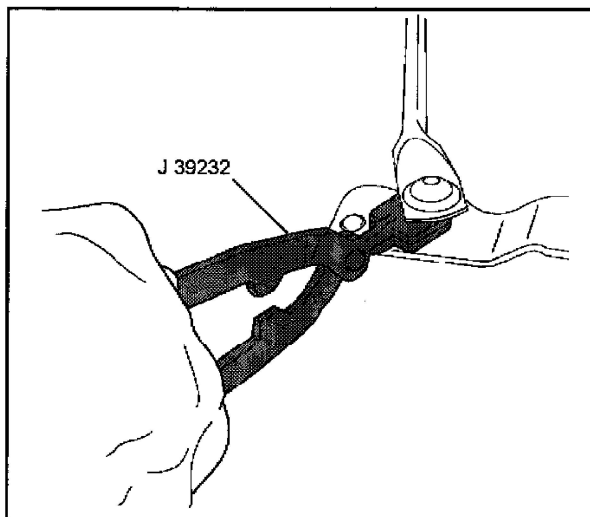
Wiper Motor: Service and Repair

Wiper Motor Crank Arm Replacement

TOOLS REQUIRED

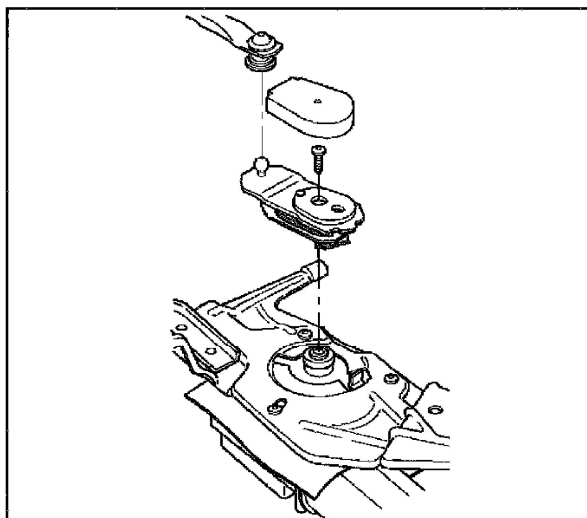
- ^ J 39232 Wiper Transmission Separator
- ^ J 39529 Wiper Transmission Installer

REMOVAL PROCEDURE



306506

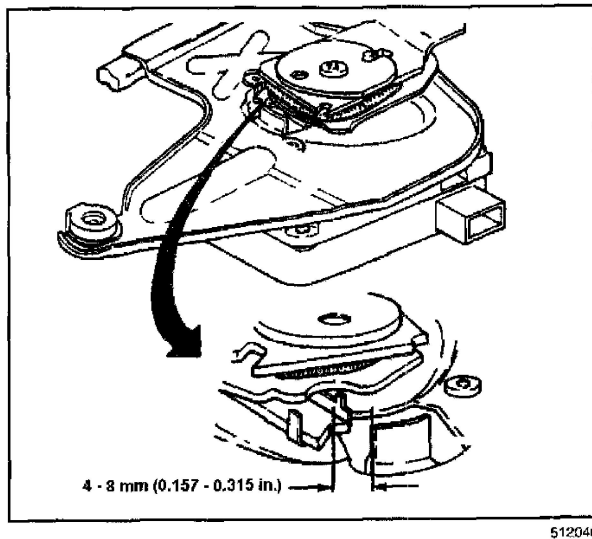
1. Remove the air inlet grille panel.
2. Remove the wiper motor water deflector.
3. Using the J 39232, disconnect the wiper transmission from the wiper motor crank arm.



334250

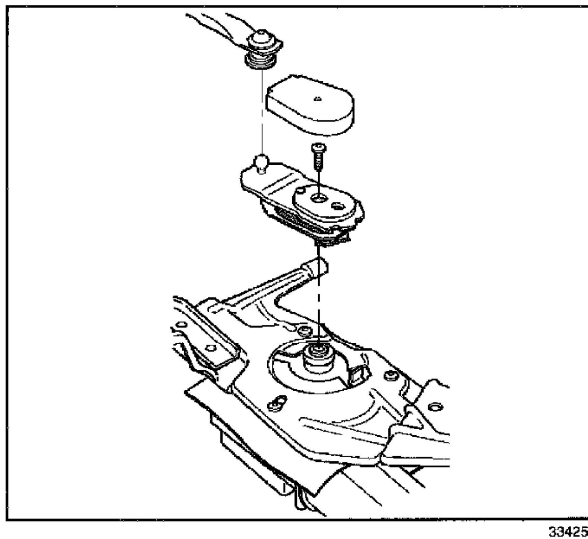
4. Remove the wiper motor crank arm cover.
5. Remove the wiper motor crank arm screw.
6. Remove the wiper motor crank arm from the wiper motor.

INSTALLATION PROCEDURE



1. Position the wiper motor crank arm onto the wiper motor.
2. Measure the gap between wiper motor crank arm and the bracket tab. If the gap is not **4-8 mm (0.157-0.314 in)**, remove the wiper motor crank arm and repeat installation.

NOTE: Refer to Fastener Notice Fastener Notice in Service Precautions.

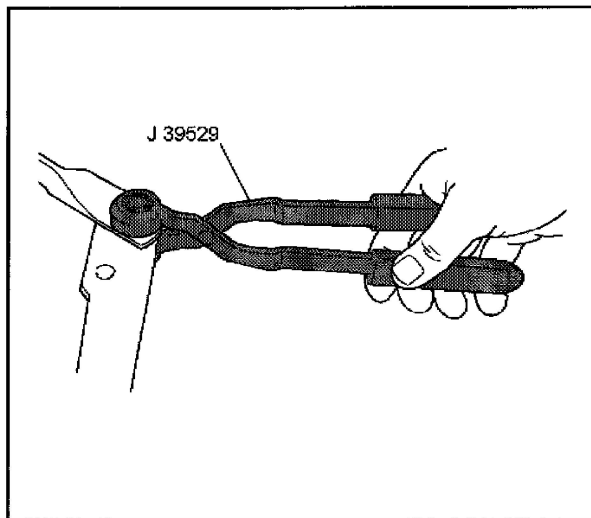


3. Install the wiper motor crank arm screw.

Tighten

Tighten the screw to **16 N.m (12 lb ft)**.

4. Install the wiper motor crank arm cover.



306515

5. Using the J 39529, install the wiper transmission to the wiper motor crank arm.
6. Install the air inlet grille panel.
7. Install the wiper motor water deflector.
8. Operate the windshield wipers and inspect for proper operation.