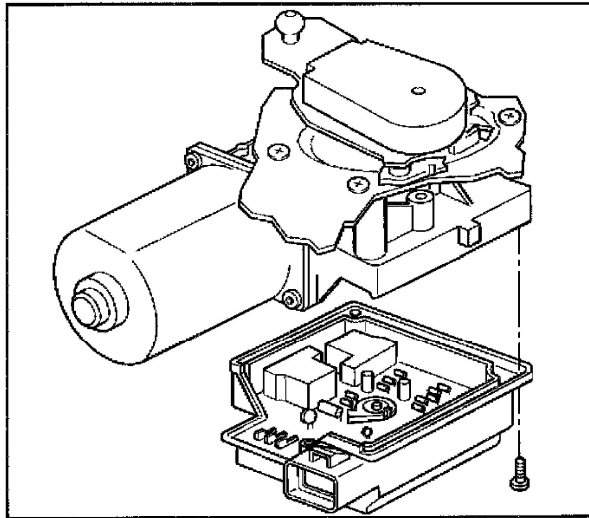


Wiper Motor: Service and Repair

Wiper Motor Cover Replacement

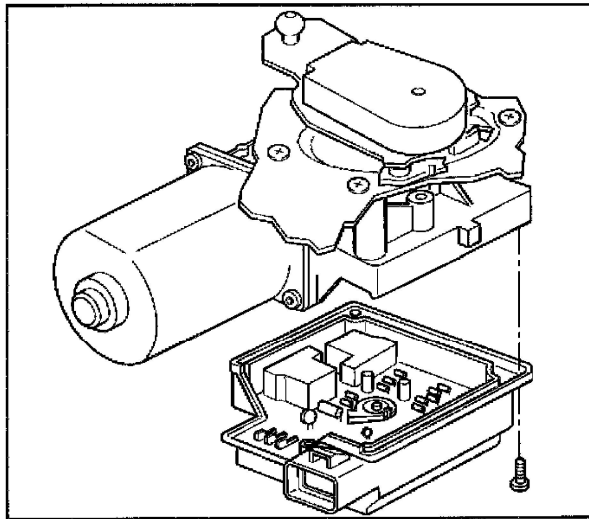
REMOVAL PROCEDURE



334241

1. Remove the air inlet grille panel.
2. Remove the wiper drive system module.
3. Remove the wiper motor cover screws.
4. Remove the wiper motor cover from the wiper motor.

INSTALLATION PROCEDURE



334241

1. Position the wiper motor cover to the wiper motor.

NOTE: Refer to Fastener Notice Fastener Notice in Service Precautions.

2. Install the wiper motor cover screws.

Tighten

Tighten the screws to **2 N.m (18 lb in)**.

3. Install the wiper drive system module.
4. Install the air inlet grille panel.
5. Operate the windshield wipers and inspect for proper operation.