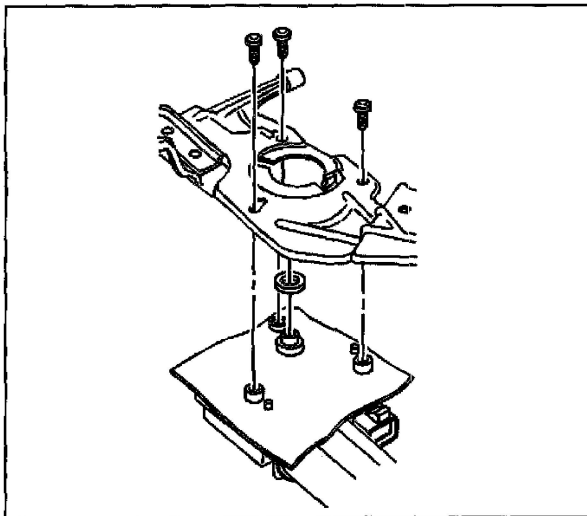


Wiper Motor: Service and Repair

Wiper Motor Replacement

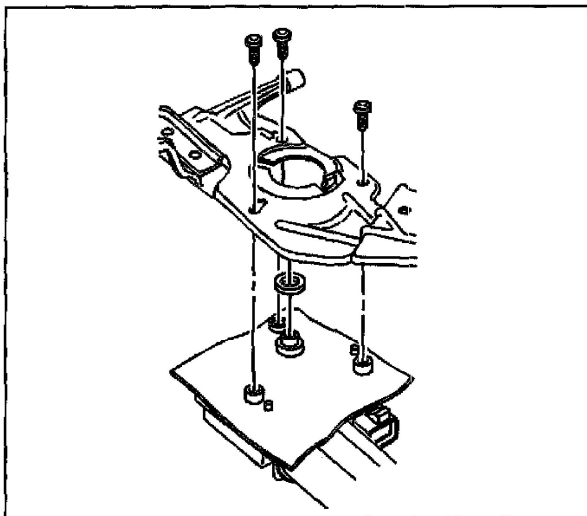
REMOVAL PROCEDURE



815221

1. Remove the air inlet grille panel.
2. Remove the wiper motor crank arm.
3. Remove the wiper drive system module.
4. Remove the wiper motor screws.
5. Remove the Wiper motor from the wiper drive system module.
6. Remove the shaft seal and the water shield from the wiper motor.

INSTALLATION PROCEDURE



815221

1. Install the water shield and shaft seal onto the wiper motor.
2. Position the wiper motor to the wiper drive system module.

NOTE: Refer to Fastener Notice Fastener Notice in Service Precautions.

3. Install the wiper motor screws.

Tighten

Tighten the screws to **7 N.m (62 lb in)**.

4. Install the wiper drive system module.
5. Install the wiper motor crank arm.

6. Install the air inlet grille panel.