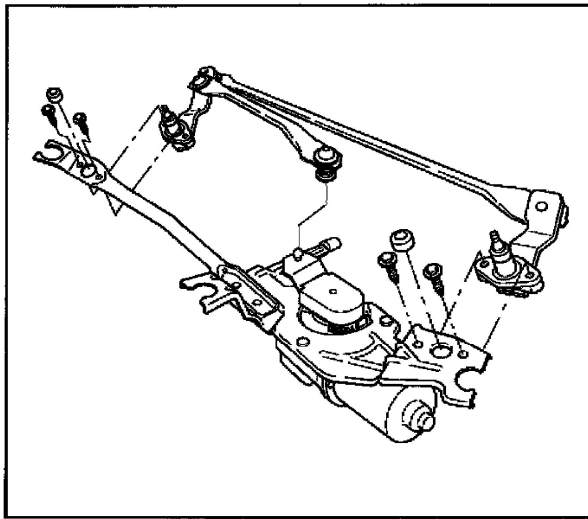


# Wiper Gear Box: Service and Repair

## WIPER TRANSMISSION REPLACEMENT

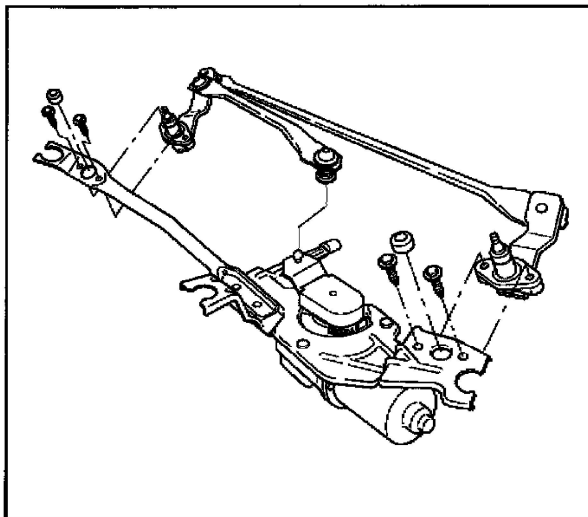
### REMOVAL PROCEDURE



334247

1. Remove the air inlet grille panel.
2. Remove the wiper drive system module.
3. Remove the wiper transmission caps.
4. Remove the wiper transmission screws.
5. Remove the wiper transmission from the wiper drive system module tube frame.

### INSTALLATION PROCEDURE



334247

1. position the wiper transmission to the wiper drive system module tube frame.

**NOTE:** Refer to Fastener Notice in Service Precautions.

2. Install wiper transmission screws.

#### **Tighten**

Tighten the screws to **9 N.m (80 lb in)**.

3. Install the wiper transmission caps.
4. Install the wiper drive system module.
5. Install the air inlet grille panel.
6. Operate the windshield wipers and inspect for proper operation.