

2007 Mazda CX-9 Grand Touring

2007 ENGINE Service Tools - Engine (MZI-3.5) - CX-9

2007 ENGINE

Service Tools - Engine (MZI-3.5) - CX-9

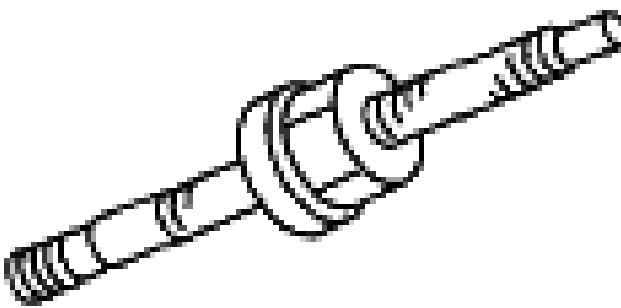
ENGINE SST [MZI-3.5]

1: Mazda SST number

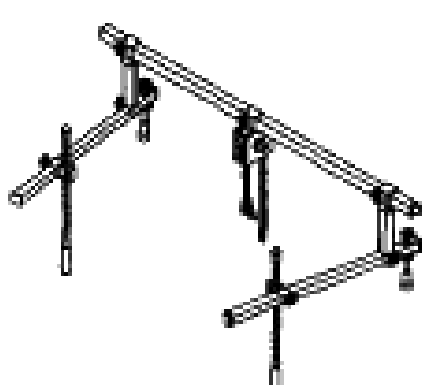
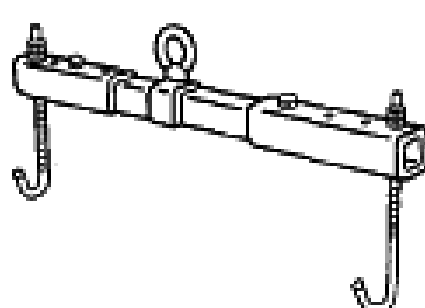
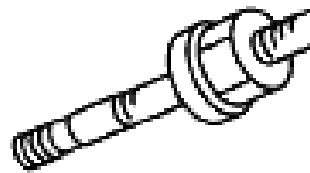
2: Global SST number

Example

SERVICE SPECIAL TOOLS SPECIFICATION

<p>1: 49 UN01 002 2: 303-102</p>	 <p>Crankshaft damper replacer</p>
--------------------------------------	---

SERVICE SPECIAL TOOLS SPECIFICATION

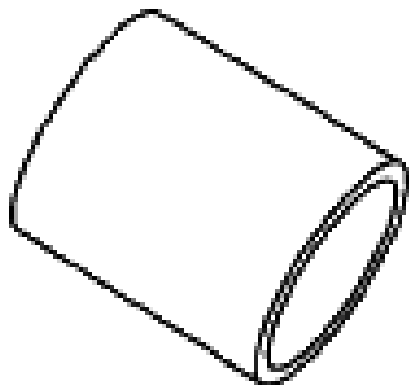
<p>1: 49 C017 5A0 2: -</p>  <p>Engine support set</p>	<p>1. 49 L017 5A0</p>  <p>2: - Support hanger</p>	<p>1.49 UN01 002 2: 303-102</p>  <p>102 Crankshaft damper replacer</p>
--	---	---

<p>1: 49 G028 203 2: -</p>

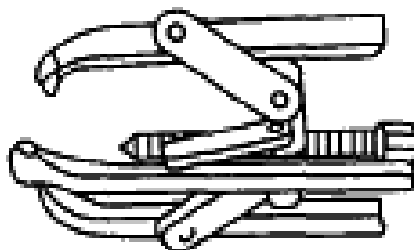
<p>1: 49 UN30 3D1210</p>

2007 Mazda CX-9 Grand Touring

2007 ENGINE Service Tools - Engine (MZI-3.5) - CX-9



2: 303-



D121
Puller

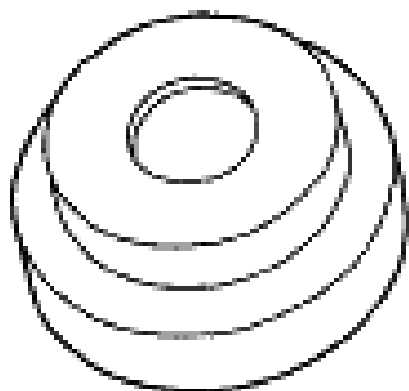
1: 49 G033 102



2: -
Handle

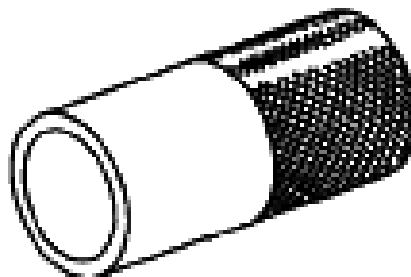
Support (Component part of 49 F034 2A0)

1: 49 G033 105
2: -



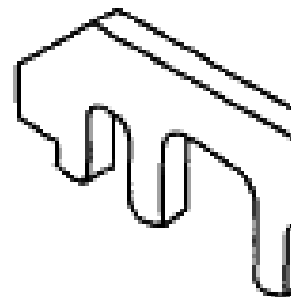
Attachment

1: 49 W026 001



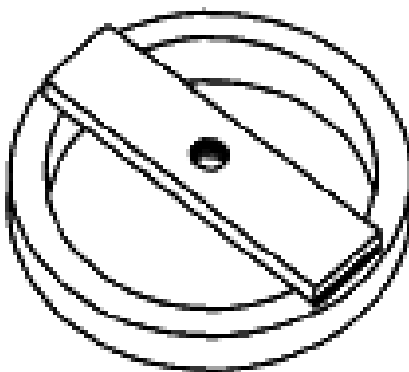
2: -
Oil seal installer

1: 49 UN30 312480
2: 303-

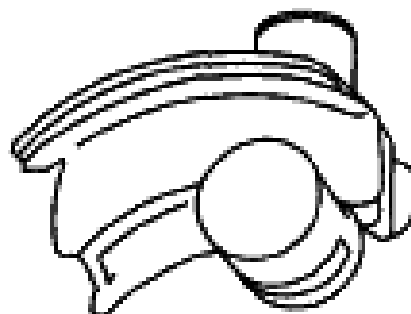


1248
Hold

1: 49 W011 101
2: -



1: 49 UN30 312523



2: -
Installer (Component part of 49 UN30

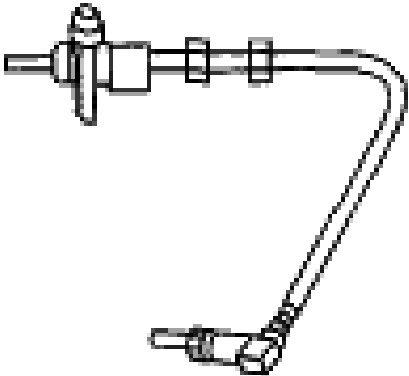
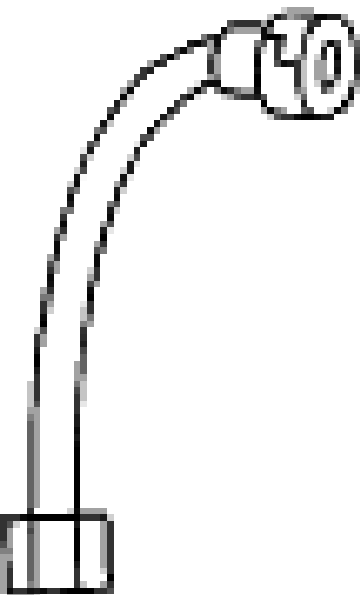
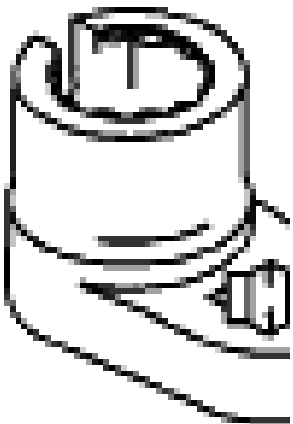
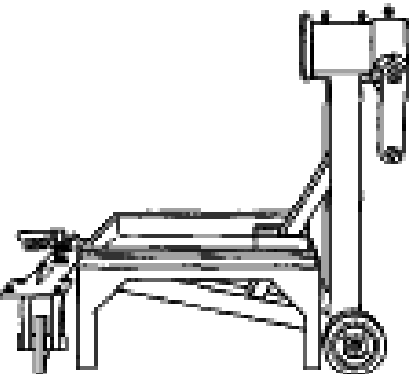
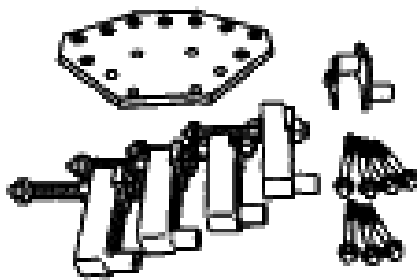
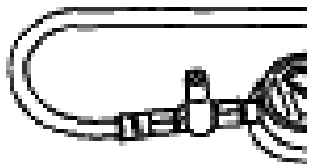
1: 49 UN30 312521



2: -

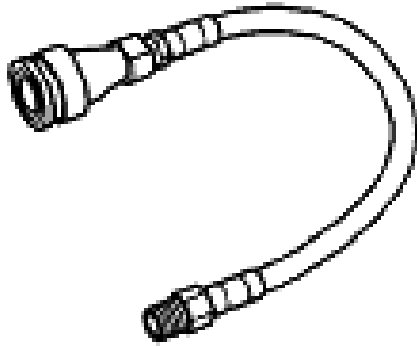
2007 Mazda CX-9 Grand Touring

2007 ENGINE Service Tools - Engine (MZI-3.5) - CX-9

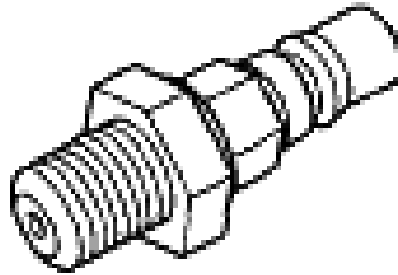
Oil seal installer	3125A0)	Remover (Component part of 3125A0)
<p>1: 49 N013 101A 2: -</p>  <p>Body (Component part of 49 N013 1A0D)</p>	<p>1: 49 T013 101</p>  <p>2: - Hose</p>	<p>1: 49 L018 001</p>  <p>2: - O2 sensor wrench</p>
<p>1: 49 0107 680A 2: -</p>  <p>Engine stand</p>	<p>1: 49 L010 1A0</p>  <p>2: - Engine hanger set</p>	<p>1: 49 0187 280A</p>  <p>2: - Oil pressure gauge</p>
<p>1: 49 T018 006 2: -</p>	<p>1: 49 T018 007</p>	<p>1: 49 9200 145</p>

2007 Mazda CX-9 Grand Touring

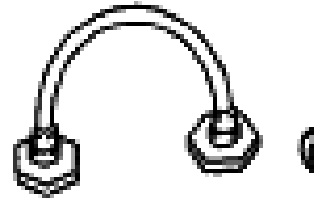
2007 ENGINE Service Tools - Engine (MZI-3.5) - CX-9



Hose



2: -
Adapter



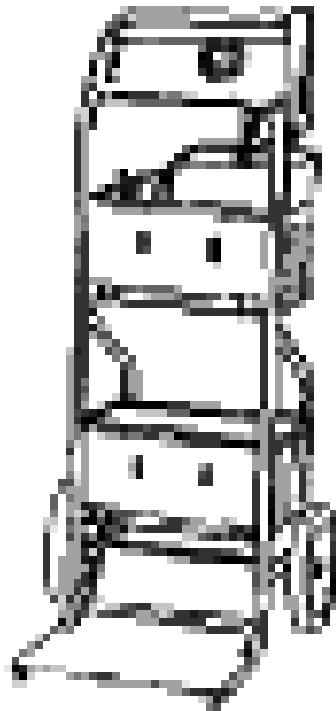
2: -
Radiator cap tester adapter set

1: 49 B019 901B
2: -



Oil pressure gauge (Component part
of 49 N013 1A0D)

1: -
2: 134-



01049
Evaporative emission system tester