

CABIN AIR FILTERS

Air Filter - CX-9

REMOVAL & INSTALLATION

NOTE: Manufacturer's terminology for this filter is Air Filter.

1. Remove the glove compartment service hole cover. See **Fig. 1**

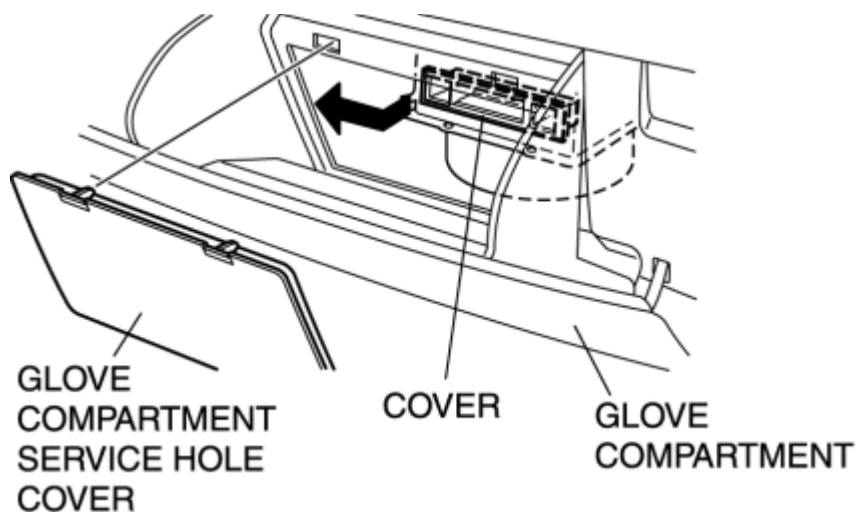


Fig. 1: Identifying Glove Compartment Components
Courtesy of MAZDA MOTORS CORP.

2. Remove cabin air filter cover. See **Fig. 1**. Remove cabin air filter. See **Fig. 2**.

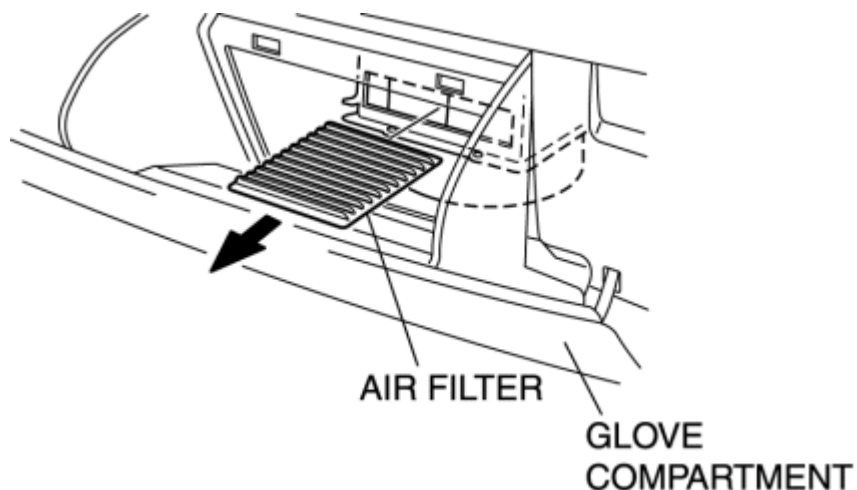


Fig. 2: Removing Cabin Air Filter
Courtesy of MAZDA MOTORS CORP.

2008 Mazda CX-9 Grand Touring

CABIN AIR FILTERS Air Filter - CX-9

3. Install the cabin air filter in reverse order of removal.