

2008 Mazda CX-9 Grand Touring

2008 BODY & ACCESSORIES Interior Trim - Mazda CX-9

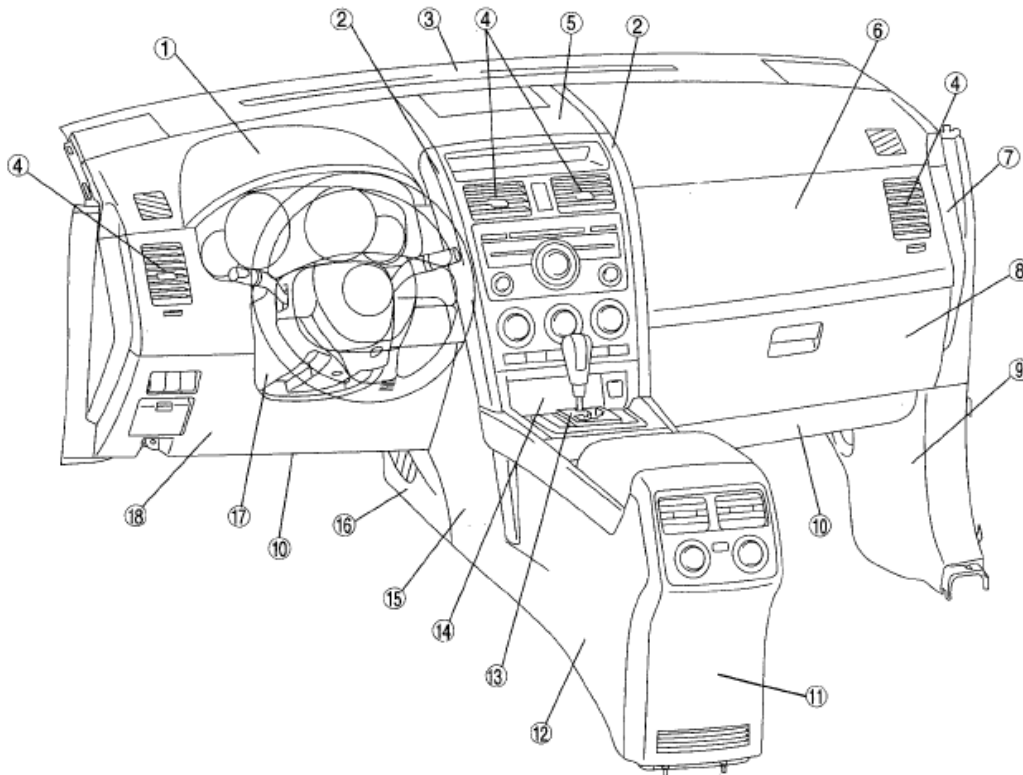
2008 BODY & ACCESSORIES

Interior Trim - Mazda CX-9

INTERIOR TRIM LOCATION INDEX

2008 Mazda CX-9 Grand Touring

2008 BODY & ACCESSORIES Interior Trim - Mazda CX-9



ac9uuw00000497

1	Meter hood (See 09-17-10 METER HOOD REMOVAL/ INSTALLATION.)
2	Decoration panel (See 09-17-19 DECORATION PANEL REMOVAL/ INSTALLATION.)
3	Dashboard (See 09-17-4 DASHBOARD REMOVAL/ INSTALLATION.) (See 09-17-6 DASHBOARD DISASSEMBLY/ ASSEMBLY.)
4	Ventilator grille (See 09-17-12 VENTILATOR GRILLE REMOVAL/ INSTALLATION.)
5	Center panel (See 09-17-9 CENTER PANEL REMOVAL/ INSTALLATION.)
6	Dashboard garnish (See 09-17-15 DASHBOARD GARNISH REMOVAL/ INSTALLATION.)
7	Side panel (See 09-17-10 SIDE PANEL REMOVAL/ INSTALLATION.)
8	Glove compartment (See 09-17-11 GLOVE COMPARTMENT REMOVAL/INSTALLATION.)
9	Front side trim (See 09-17-21 FRONT SIDE TRIM REMOVAL/ INSTALLATION.)
10	Dashboard under cover (See 09-17-14 DASHBOARD UNDER COVER REMOVAL/INSTALLATION.)

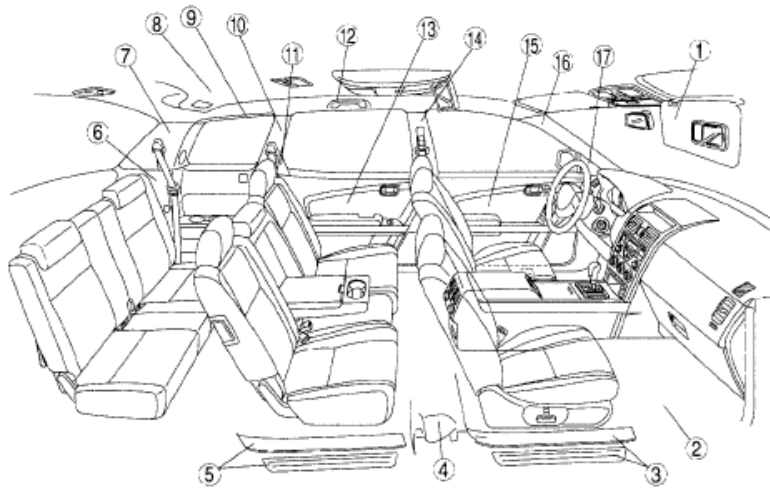
11	Console cover (See 09-17-16 CONSOLE COVER REMOVAL/ INSTALLATION.)
12	Console (See 09-17-17 CONSOLE REMOVAL/ INSTALLATION.) (See 09-17-18 CONSOLE DISASSEMBLY/ ASSEMBLY.)
13	Indicator panel (See 09-17-15 INDICATOR PANEL REMOVAL/ INSTALLATION.)
14	Front console box (See 09-17-15 FRONT CONSOLE BOX MAT REMOVAL/INSTALLATION.) (See 09-17-16 FRONT CONSOLE BOX REMOVAL/ INSTALLATION.)
15	Console panel (See 09-17-19 CONSOLE PANEL REMOVAL/ INSTALLATION.)
16	Side wall (See 09-17-14 SIDE WALL REMOVAL/ INSTALLATION.)
17	Column cover (See 09-17-7 COLUMN COVER REMOVAL/ INSTALLATION.)
18	Lower panel (See 09-17-10 LOWER PANEL REMOVAL/ INSTALLATION.)

Fig. 1: Identifying Interior Trim Location (1 Of 3)

Courtesy of MAZDA MOTORS CORP.

2008 Mazda CX-9 Grand Touring

2008 BODY & ACCESSORIES Interior Trim - Mazda CX-9



ac9uuw0000482

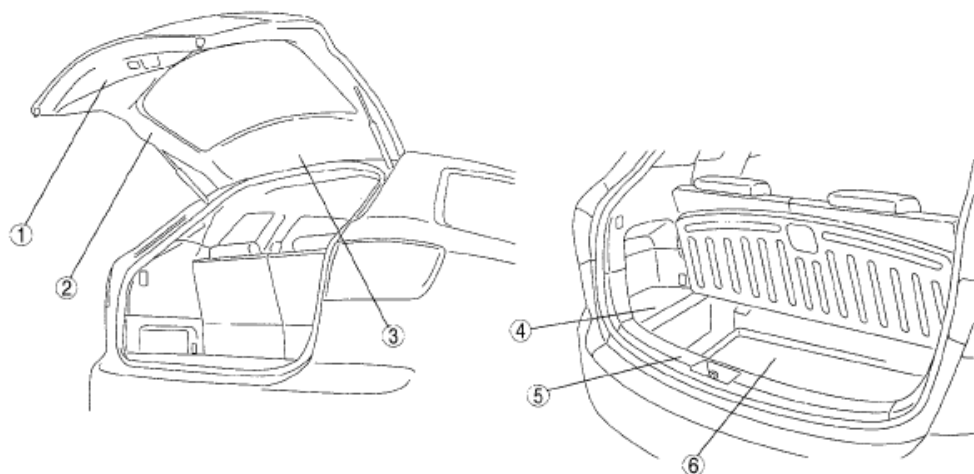
1	Sunvisor (See 09-17-32 SUNVISOR REMOVAL/ INSTALLATION.)
2	Floor covering (See 09-17-34 FLOOR COVERING REMOVAL/ INSTALLATION.)
3	Front scuff plate (See 09-17-24 FRONT SCUFF PLATE REMOVAL/ INSTALLATION.)
4	B-pillar lower trim (See 09-17-21 B-PILLAR LOWER TRIM REMOVAL/ INSTALLATION.)
5	Rear scuff plate (See 09-17-24 REAR SCUFF PLATE REMOVAL/ INSTALLATION.)
6	Trunk side trim (See 09-17-26 TRUNK SIDE TRIM REMOVAL/ INSTALLATION.)
7	D-pillar trim (See 09-17-23 D-PILLAR TRIM REMOVAL/ INSTALLATION.)
8	Headliner (See 09-17-33 HEADLINER REMOVAL/ INSTALLATION.)
9	Roof side trim (See 09-17-22 ROOF SIDE TRIM REMOVAL/ INSTALLATION.)

10	C-pillar trim (See 09-17-22 C-PILLAR TRIM REMOVAL/ INSTALLATION.)
11	Inner sail garnish (See 09-17-13 INNER SAIL GARNISH REMOVAL/ INSTALLATION.)
12	Assist handle (See 09-17-31 ASSIST HANDLE REMOVAL/ INSTALLATION.)
13	Rear door trim (See 09-17-28 REAR DOOR TRIM REMOVAL/ INSTALLATION.) (See 09-17-25 REAR DOOR TRIM DISASSEMBLY/ ASSEMBLY.)
14	B-pillar upper trim (See 09-17-21 B-PILLAR UPPER TRIM REMOVAL/ INSTALLATION.)
15	Front door trim (See 09-17-27 FRONT DOOR TRIM REMOVAL/ INSTALLATION.) (See 09-17-28 FRONT DOOR TRIM DISASSEMBLY/ASSEMBLY.)
16	A-pillar trim (See 09-17-20 A-PILLAR TRIM REMOVAL/ INSTALLATION.)
17	Inner garnish (See 09-17-25 INNER GARNISH REMOVAL/ INSTALLATION.)

Fig. 2: Identifying Interior Trim Location (2 Of 3)
 Courtesy of MAZDA MOTORS CORP.

2008 Mazda CX-9 Grand Touring

2008 BODY & ACCESSORIES Interior Trim - Mazda CX-9



ac9uuw0000749

1	Liftgate lower trim (See 09-17-30 LIFTGATE LOWER TRIM REMOVAL/INSTALLATION.)
2	Liftgate side trim (See 09-17-30 LIFTGATE SIDE TRIM REMOVAL/INSTALLATION.)
3	Liftgate upper trim (See 09-17-30 LIFTGATE UPPER TRIM REMOVAL/INSTALLATION.)

4	Seat side box (See 09-17-29 SEAT SIDE BOX REMOVAL/INSTALLATION.)
5	Trunk end trim (See 09-17-25 TRUNK END TRIM REMOVAL/INSTALLATION.)
6	Trunk box (See 09-17-29 TRUNK BOX REMOVAL/INSTALLATION.)

Fig. 3: Identifying Interior Trim Location (3 Of 3)

Courtesy of MAZDA MOTORS CORP.

DASHBOARD REMOVAL/INSTALLATION

1. Disconnect the negative battery cable.
2. Remove the following parts:
 1. Decoration panel (See **DECORATION PANEL REMOVAL/INSTALLATION.**)
 2. Front console box mat (See **FRONT CONSOLE BOX MAT REMOVAL/INSTALLATION.**)
 3. Indicator panel (See **INDICATOR PANEL REMOVAL/INSTALLATION.**)
 4. Front console box (See **FRONT CONSOLE BOX REMOVAL/INSTALLATION.**)
 5. Dashboard under cover (See **DASHBOARD UNDER COVER REMOVAL/INSTALLATION.**)
 6. Side wall (See **SIDE WALL REMOVAL/INSTALLATION.**)
 7. Console panel (See **CONSOLE PANEL REMOVAL/INSTALLATION.**)
 8. Console cover (See **CONSOLE COVER REMOVAL/INSTALLATION.**)
 9. Console (See **CONSOLE REMOVAL/INSTALLATION.**)
 10. Front scuff plate inner (See **FRONT SCUFF PLATE REMOVAL/INSTALLATION.**)
 11. Front side trim (See **FRONT SIDE TRIM REMOVAL/INSTALLATION.**)
 12. Glove compartment (See **GLOVE COMPARTMENT REMOVAL/INSTALLATION.**)
 13. Hood release lever (See **HOOD LATCH AND RELEASE LEVER REMOVAL/INSTALLATION .**)

2008 Mazda CX-9 Grand Touring

2008 BODY & ACCESSORIES Interior Trim - Mazda CX-9

14. Lower panel (See **LOWER PANEL REMOVAL/INSTALLATION.**)
 15. Column cover (See **COLUMN COVER REMOVAL/INSTALLATION.**)
 16. Driver-side air bag module (See **DRIVER-SIDE AIR BAG MODULE REMOVAL/INSTALLATION .**)
 17. Steering wheel (See **STEERING WHEEL AND COLUMN REMOVAL/INSTALLATION .**)
 18. Combination switch (See **COMBINATION SWITCH REMOVAL/INSTALLATION .**)
 19. Center panel (See **CENTER PANEL REMOVAL/INSTALLATION.**)
 20. Meter hood (See **METER HOOD REMOVAL/INSTALLATION.**)
 21. Instrument cluster (See **INSTRUMENT CLUSTER REMOVAL/INSTALLATION .**)
 22. Audio unit (See **AUDIO UNIT REMOVAL/INSTALLATION .**)
 23. Steering shaft (See **STEERING WHEEL AND COLUMN REMOVAL/INSTALLATION .**)
 24. A-pillar trim (See **A-PILLAR TRIM REMOVAL/INSTALLATION.**)
 25. Side panel (See **SIDE PANEL REMOVAL/INSTALLATION.**)
3. Disconnect the front door wiring harness connector (Driver side). (See **FRONT DOOR MODULE REMOVAL/INSTALLATION .**)
 4. Disconnect the dashboard harness connectors.
 5. Remove the brake switch from the brake pedal with the brake switch connector connected. (See **BRAKE PEDAL REMOVAL/INSTALLATION .**)
 6. Remove the selector lever component. (See **SELECTOR LEVER COMPONENT REMOVAL/INSTALLATION .**)
 7. Remove the windshield wiper arm and blade. (See **WINDSHIELD WIPER ARM AND BLADE REMOVAL/INSTALLATION .**)
 8. Remove the cowl grille. (See **COWL GRILLE REMOVAL/INSTALLATION .**)
 9. Remove the windshield wiper motor. (See **WINDSHIELD WIPER MOTOR REMOVAL/INSTALLATION .**)
 10. Remove in the order indicated in the figure.
 11. Install in the reverse order of removal.

2008 Mazda CX-9 Grand Touring

2008 BODY & ACCESSORIES Interior Trim - Mazda CX-9

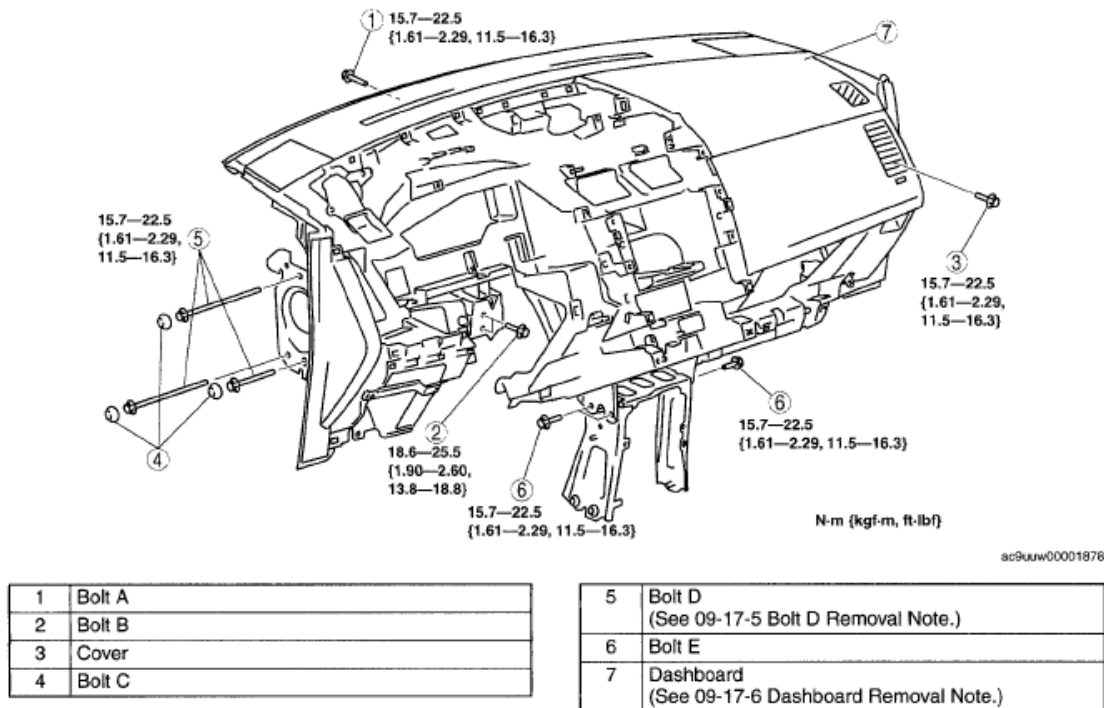


Fig. 4: Identifying Dashboard Component Removal Sequence & Torque Specifications
Courtesy of MAZDA MOTORS CORP.

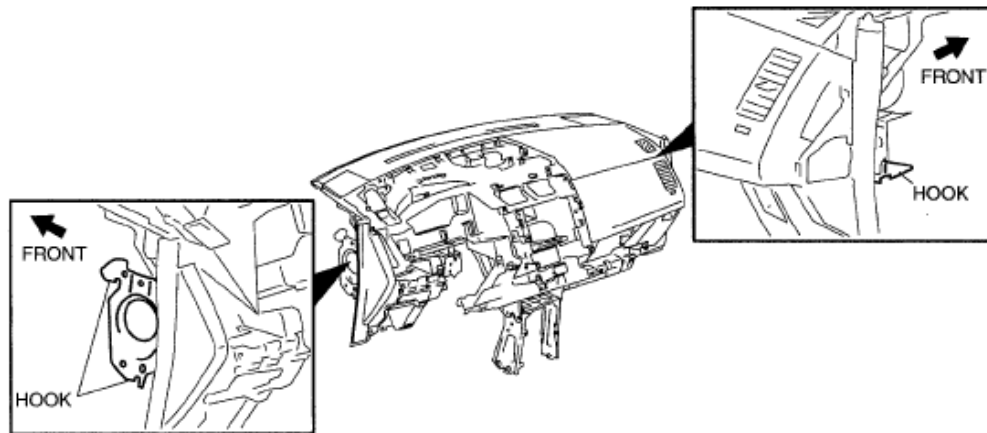
BOLT D REMOVAL NOTE

- CAUTION:**
- Bolt D cannot be removed from the body. Due to this, bolt D could be pinched when closing the front door, resulting in damage to the front door. When closing the front door, verify that bolt D is completely inserted

DASHBOARD REMOVAL NOTE

- WARNING:**
- Removing the dashboard without supporting it can be dangerous. The dashboard may fall and injure you. Always perform the following procedure with at least another person.

1. Raise the dashboard and detach the hooks from the body.



ac9uuw00002261

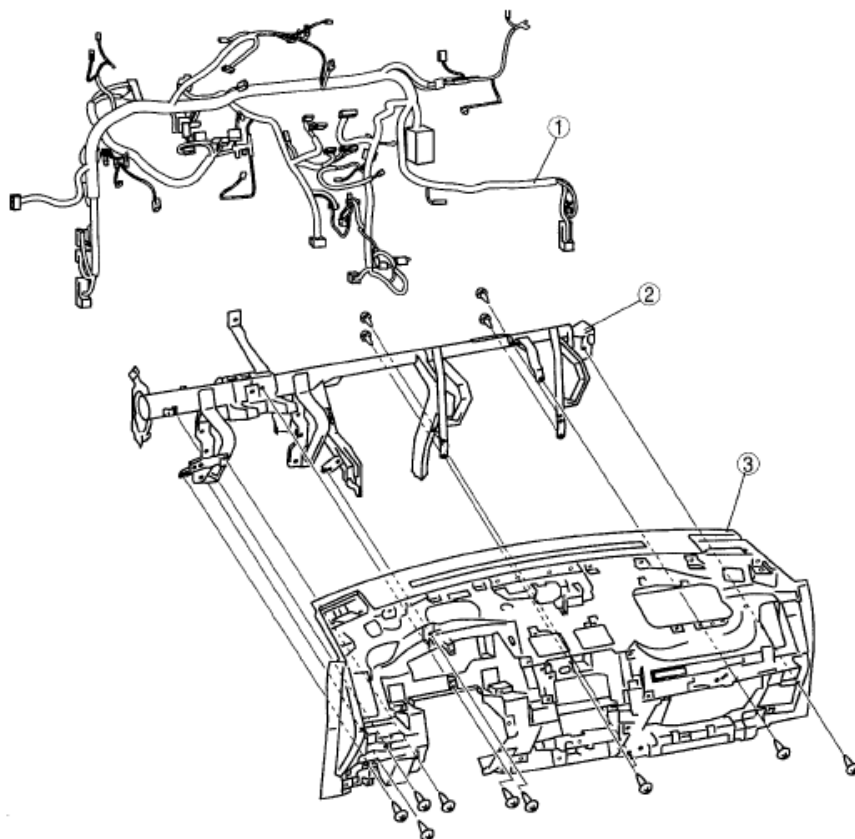
Fig. 5: Identifying Dashboard & Hooks
Courtesy of MAZDA MOTORS CORP.

2. Take the dashboard out through the opened front driver-side door.

DASHBOARD DISASSEMBLY/ASSEMBLY

1. Remove the following parts:
 1. Information display (See **INFORMATION DISPLAY REMOVAL/INSTALLATION** .)
 2. GPS antenna (See **GPS ANTENNA REMOVAL/INSTALLATION** .)
 3. Dashboard garnish (See **DASHBOARD GARNISH REMOVAL/INSTALLATION.**)
 4. Hands-free telephone unit (See **HANDS-FREE TELEPHONE (HF/TEL) UNIT REMOVAL/INSTALLATION** .)
 5. Passenger-side air bag module (See **PASSENGER-SIDE AIR BAG MODULE REMOVAL/INSTALLATION** .)
 6. Front speaker (Vehicles With Bose®) (See **FRONT SPEAKER REMOVAL/INSTALLATION** .)
 7. Tweeter (Vehicles Without Bose®) (See **TWEETER REMOVAL/INSTALLATION** .)
 8. Center speaker (See **CENTER SPEAKER REMOVAL/INSTALLATION** .)
 9. Keyless receiver (See **KEYLESS RECEIVER REMOVAL/INSTALLATION** .)
 10. Keyless antenna (See **KEYLESS ANTENNA REMOVAL/INSTALLATION [ADVANCED KEYLESS SYSTEM]** .)
 11. keyless control module (See **KEYLESS CONTROL MODULE REMOVAL/INSTALLATION [ADVANCED KEYLESS SYSTEM]** .)
 12. Auto light-off control module (Vehicles without auto light/wiper system) (See **AUTO LIGHT-OFF CONTROL MODULE REMOVAL/INSTALLATION** .)
 13. Auto light/wiper control module (Vehicles with auto light/wiper system) (See **AUTO LIGHT/WIPER CONTROL MODULE REMOVAL/INSTALLATION** .)
2. Disassemble in the order indicated in the table.

3. Assemble in the reverse order of disassembly.



ac8tuw00000386

1	Dashboard wiring harness
2	Dashboard member

3	Dashboard face
---	----------------

Fig. 6: Identifying Dashboard Wiring Harness, Member & Dashboard Face
Courtesy of MAZDA MOTORS CORP.

COLUMN COVER REMOVAL/INSTALLATION

LOWER COLUMN COVER

1. Remove the screws.
2. Pull down the tilt wheel release lever.
3. Remove the lower column cover in the direction of the arrow.
4. Install in the reverse order of removal.

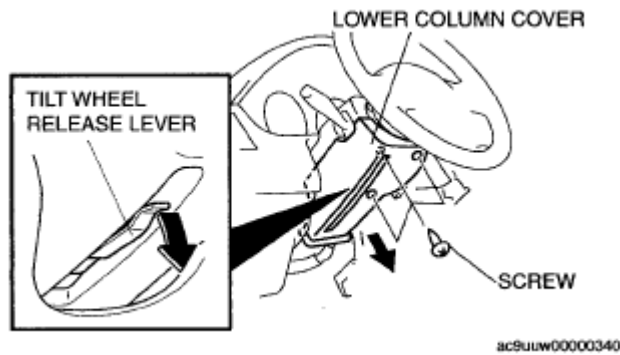


Fig. 7: Identifying Column Cover With Screw
Courtesy of MAZDA MOTORS CORP.

UPPER COLUMN COVER REMOVAL

1. Pull the upper column cover upward and detach the upper column cover from the lower column cover.

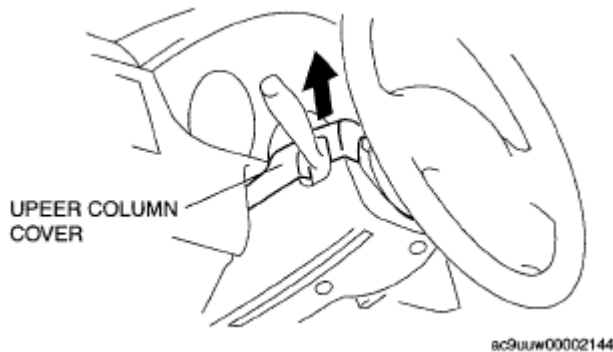
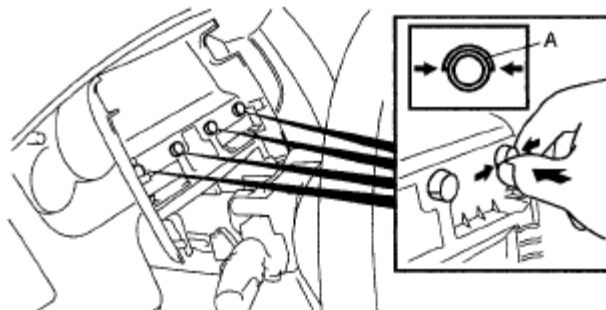


Fig. 8: Identifying Upper Column Cover
Courtesy of MAZDA MOTORS CORP.

2. Push the rubber in the direction of the arrow while pinching part A of the rubber.

CAUTION:

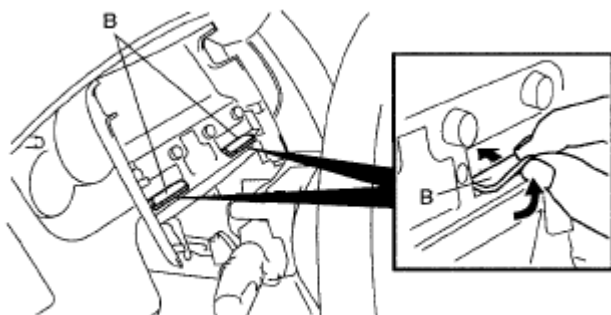
- Remove the rubber by pressing it from the backside of the upper column cover. The rubber may deform if it is pulled forcibly or pried with a flathead screwdriver.



ac9uuw00002138

Fig. 9: Identifying Rubber Pushing Direction
Courtesy of MAZDA MOTORS CORP.

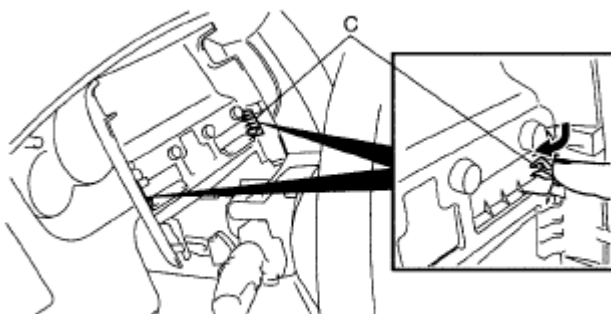
3. Push the rubber in the direction of the arrow while partially peeling part B of the rubber.



ac9uuw00002139

Fig. 10: Identifying Rubber Pushing Direction
Courtesy of MAZDA MOTORS CORP.

4. Push part C of the rubber in the direction of the arrow and remove the upper column cover.
5. Install in the reverse order of removal.



ac9uuw00002140

Fig. 11: Identifying Rubber Pushing Direction
Courtesy of MAZDA MOTORS CORP.

1. Push the rubber in the direction of the arrow in the order of A, B, and C part to install the upper column cover to the rubber.
2. Install the upper column cover to the lower column cover.

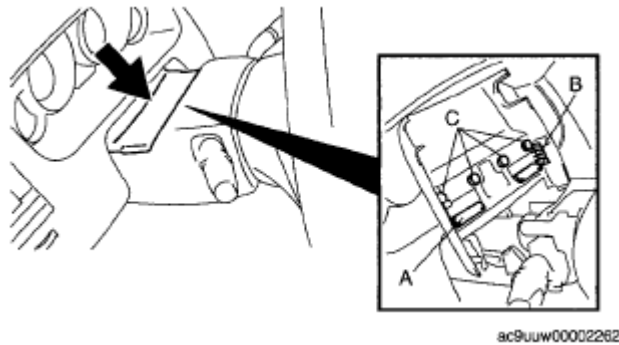


Fig. 12: Identifying Upper Column Cover
Courtesy of MAZDA MOTORS CORP.

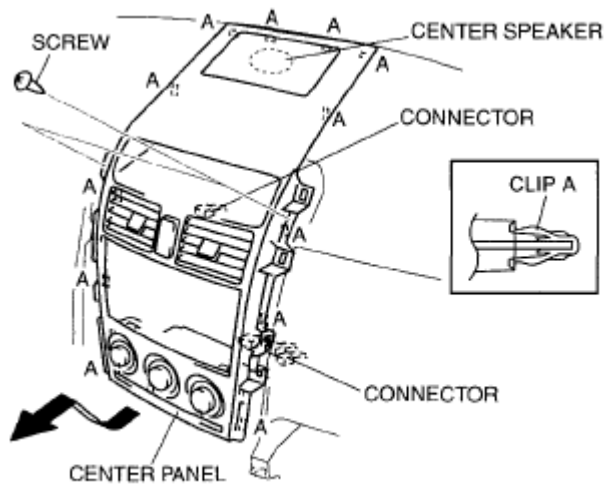
CENTER PANEL REMOVAL/INSTALLATION

1. Disconnect the negative battery cable.
2. Remove the following parts:
 1. Decoration panel (See **DECORATION PANEL REMOVAL/INSTALLATION.**)
 2. Front console box mat (See **FRONT CONSOLE BOX MAT REMOVAL/INSTALLATION.**)
 3. Indicator panel (See **INDICATOR PANEL REMOVAL/INSTALLATION.**)
 4. Front console box (See **FRONT CONSOLE BOX REMOVAL/INSTALLATION.**)
3. Remove the screws.
4. Detach clips A by pulling them in the direction of the arrow.

CAUTION:

- When removing center panel clips A, perform the work carefully so that the panel corners or the clips do not interfere with the center speaker and scratch or damage it.

5. Disconnect the climate control unit connectors and hazard warning switch connector.
6. Remove the center panel.



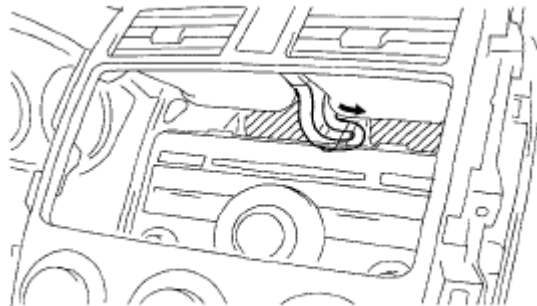
ac9uuw0000335

Fig. 13: Identifying Center Panel, Speaker & Connector
Courtesy of MAZDA MOTORS CORP.

7. Install in the reverse order of removal.

CAUTION:

- The ventilator grilles will be installed to the shaded areas shown in the figure. Therefore, if a wiring harness is in the areas, it could get caught and damaged. When installing the center panel, completely press in the wiring harnesses of the hazard warning switch connector in the direction of the arrow so that the wiring harnesses will not be caught.



ac9uuw0000384

Fig. 14: Identifying Air Flow
Courtesy of MAZDA MOTORS CORP.

LOWER PANEL REMOVAL/INSTALLATION

1. Disconnect the negative battery cable.
2. Remove the following parts:
 1. Dashboard under cover (Driver side) (See **DASHBOARD UNDER COVER**

REMOVAL/INSTALLATION.

2. Side wall (See **SIDE WALL REMOVAL/INSTALLATION.**)
3. Console panel (LH) (See **CONSOLE PANEL REMOVAL/INSTALLATION.**)
4. Hood release lever (See **HOOD LATCH AND RELEASE LEVER REMOVAL/INSTALLATION .**)
3. Remove the screw.
4. Detach clips A and hook B by pulling them in the direction of the arrow.
5. Remove the hook B.
6. Disconnect the head light leveling switch connector and TCS OFF switch connector.
7. Disconnect the BSM OFF switch connector. (Vehicles with BSM)
8. Disconnect the PLG switch connector. (Vehicles with PLG)
9. Disconnect the cabin temperature sensor connector and air hose.
10. Remove the lower panel.
11. Install in the reverse order of removal.

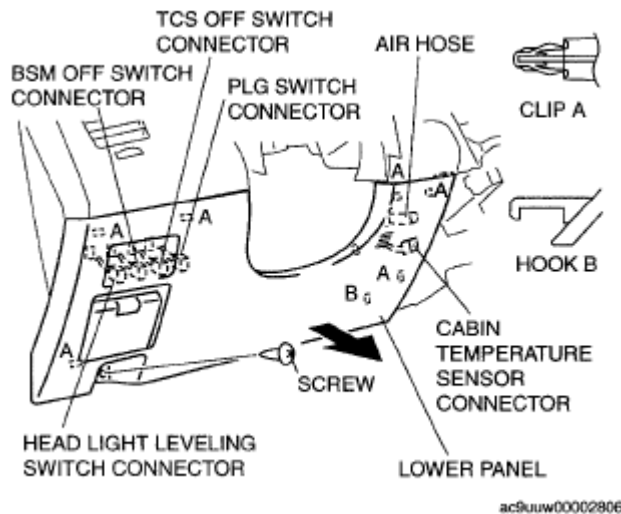
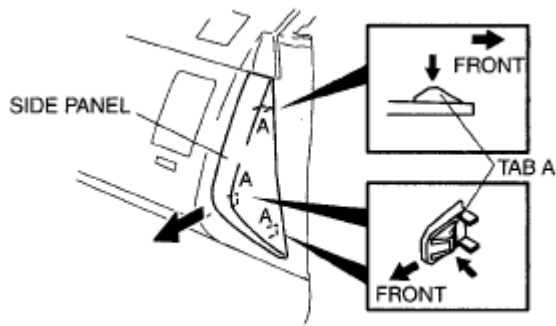


Fig. 15: Identifying Lower Panel Components
 Courtesy of MAZDA MOTORS CORP.

SIDE PANEL REMOVAL/INSTALLATION

1. Remove the glove compartment service hole cover. (See **AIR FILTER REMOVAL/INSTALLATION .**)
2. Insert fingers into the glove compartment service hole and detach the tabs A.
3. Remove the side panel in the direction of the arrow.
4. Install in the reverse order of removal.

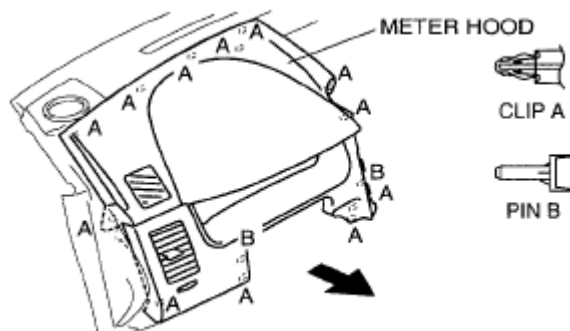


ac9uuw0000385

Fig. 16: Identifying Side Panel & Tab
 Courtesy of MAZDA MOTORS CORP.

METER HOOD REMOVAL/INSTALLATION

1. Remove the following parts:
 1. Decoration panel (See DECORATION PANEL REMOVAL/INSTALLATION.)
 2. Front console box mat (See FRONT CONSOLE BOX MAT REMOVAL/INSTALLATION.)
 3. Indicator panel (See INDICATOR PANEL REMOVAL/INSTALLATION.)
 4. Front console box (See FRONT CONSOLE BOX REMOVAL/INSTALLATION.)
 5. Center panel (See CENTER PANEL REMOVAL/INSTALLATION.)
 6. Upper column cover (See COLUMN COVER REMOVAL/INSTALLATION.)
2. Detach clips A and pins B by pulling them in the direction of the arrow.
3. Remove the meter hood.
4. Install in the reverse order of removal.



ac9uuw0000281

Fig. 17: Identifying Meter Hood & Clips
 Courtesy of MAZDA MOTORS CORP.

GLOVE COMPARTMENT REMOVAL/INSTALLATION

CAUTION: • If the glove compartment is closed without being joined to the stay

damper, the stay damper may be damaged. Verify that the stay damper is joined to the glove compartment before closing the glove compartment.

1. Remove the following parts:
 1. Dashboard under cover (Passenger side) (See DASHBOARD UNDER COVER REMOVAL/INSTALLATION.)
 2. Glove compartment service hole cover (See AIR FILTER REMOVAL/INSTALLATION .)
2. Pull the stay damper in the direction shown in the figure, and detach the connecting part between the glove compartment and the stay damper.

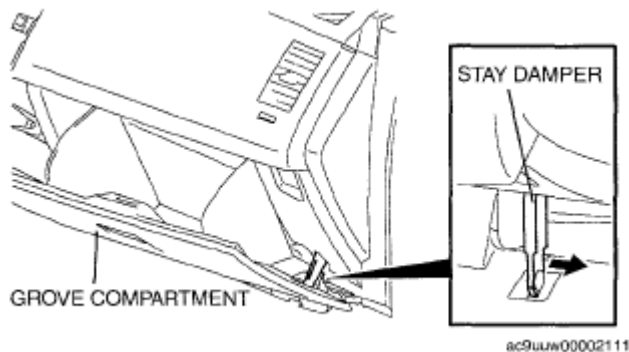


Fig. 18: Identifying Glove Compartment & Stay Damper
Courtesy of MAZDA MOTORS CORP.

3. Insert fingers into the glove compartment service hole and detach the stoppers while holding the instrument panel.

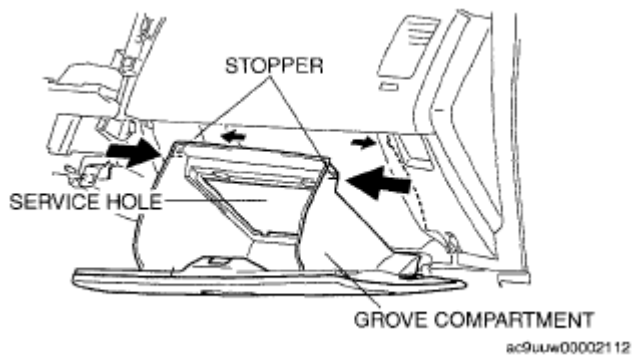
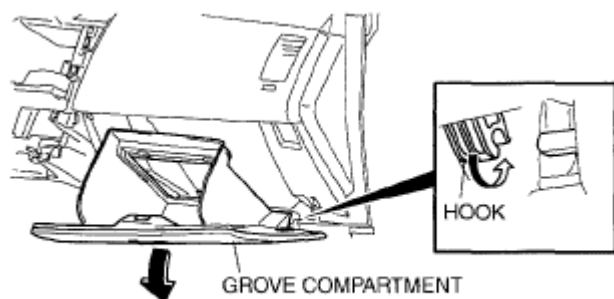


Fig. 19: Identifying Glove Compartment Service Hole
Courtesy of MAZDA MOTORS CORP.

4. Lower the glove compartment.
5. Detach the hook from the dashboard and remove the glove compartment.
6. Install in the reverse order of removal.



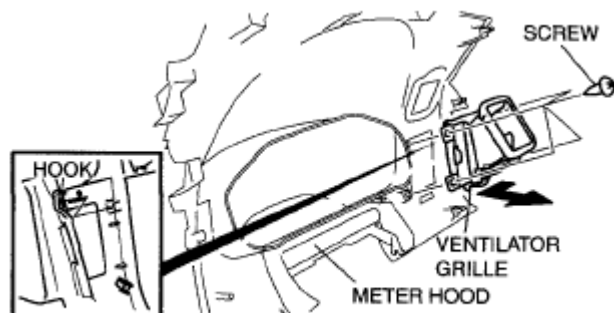
ac9uuw00002113

Fig. 20: Identifying Glove Compartment With Hook
 Courtesy of MAZDA MOTORS CORP.

VENTILATOR GRILLE REMOVAL/INSTALLATION

DRIVER SIDE

1. Disconnect the negative battery cable.
2. Remove the following parts:
 1. Decoration panel (See **DECORATION PANEL REMOVAL/INSTALLATION.**)
 2. Front console box mat (See **FRONT CONSOLE BOX MAT REMOVAL/INSTALLATION.**)
 3. Indicator panel (See **INDICATOR PANEL REMOVAL/INSTALLATION.**)
 4. Front console box (See **FRONT CONSOLE BOX REMOVAL/INSTALLATION.**)
 5. Center panel (See **CENTER PANEL REMOVAL/INSTALLATION.**)
 6. Upper column cover (See **COLUMN COVER REMOVAL/INSTALLATION.**)
3. Remove the screws.
4. Remove the hook.
5. Remove the ventilator grille in the direction of the arrow.
6. Install in the reverse order of removal.



ac9uuw00000347

Fig. 21: Identifying Ventilator Grille With Hook & Screw - Driver Side
 Courtesy of MAZDA MOTORS CORP.

PASSENGER SIDE

1. Disconnect the negative battery cable.
2. Remove the following parts:
 1. Decoration panel (See **DECORATION PANEL REMOVAL/INSTALLATION.**)
 2. Front console box mat (See **FRONT CONSOLE BOX MAT REMOVAL/INSTALLATION.**)
 3. Indicator panel (See **INDICATOR PANEL REMOVAL/INSTALLATION.**)
 4. Front console box (See **FRONT CONSOLE BOX REMOVAL/INSTALLATION.**)
 5. Center panel (See **CENTER PANEL REMOVAL/INSTALLATION.**)
 6. Side panel (See **SIDE PANEL REMOVAL/INSTALLATION.**)
 7. Dashboard garnish (See **DASHBOARD GARNISH REMOVAL/INSTALLATION.**)
3. Remove the screws.
4. Remove the hook.
5. Remove the ventilator grille in the direction of the arrow.
6. Install in the reverse order of removal.

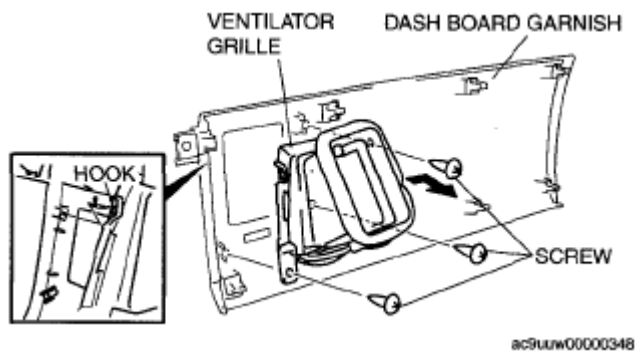
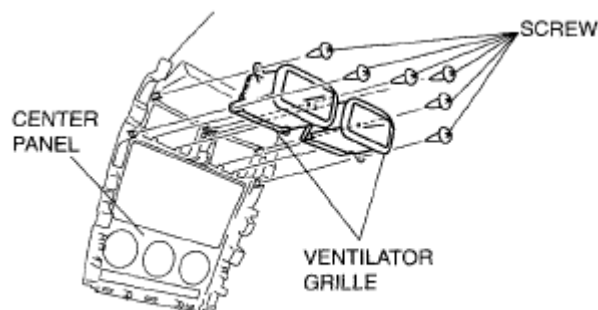


Fig. 22: Identifying Ventilator Grille With Hook & Screw - Passenger Side
Courtesy of MAZDA MOTORS CORP.

CENTER

1. Disconnect the negative battery cable.
2. Remove the following parts:
 1. Decoration panel (See **DECORATION PANEL REMOVAL/INSTALLATION.**)
 2. Front console box mat (See **FRONT CONSOLE BOX MAT REMOVAL/INSTALLATION.**)
 3. Indicator panel (See **INDICATOR PANEL REMOVAL/INSTALLATION.**)
 4. Front console box (See **FRONT CONSOLE BOX REMOVAL/INSTALLATION.**)
 5. Center panel (See **CENTER PANEL REMOVAL/INSTALLATION.**)
3. Remove the screws
4. Remove the ventilator grille.
5. Install in the reverse order of removal.

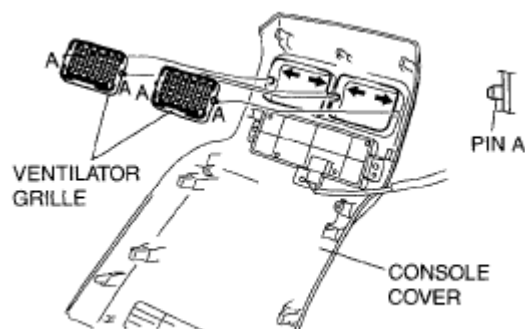


ac9uuw00000349

Fig. 23: Identifying Ventilator Grille & Center Panel With Screw - Center
Courtesy of MAZDA MOTORS CORP.

REAR

1. Disconnect the negative battery cable.
2. Remove the console cover. (See **CONSOLE COVER REMOVAL/INSTALLATION.**)
3. Remove the rear cooler duct. (See **REAR COOLER DUCT REMOVAL/INSTALLATION .**)
4. Detach the pins A while holding the console cover.
5. Remove the ventilator grille in the direction of the arrow.
6. Install in the reverse order of removal.



ac9uuw00000806

Fig. 24: Identifying Ventilator Grille & Center Panel With Screw - Rear
Courtesy of MAZDA MOTORS CORP.

INNER SAIL GARNISH REMOVAL/INSTALLATION

1. Pull the sail garnish outward, then detach clips A.
2. Remove the inner sail garnish.
3. Install in the reverse order of removal.

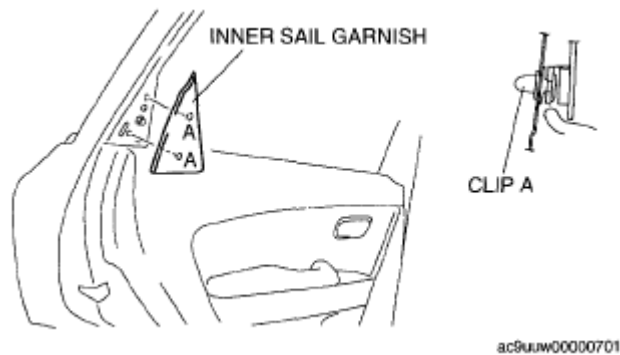


Fig. 25: Identifying Inner Sail Garnish & Clip
Courtesy of MAZDA MOTORS CORP.

SIDE WALL REMOVAL/INSTALLATION

1. Remove the dashboard under cover (Driver side). (See **DASHBOARD UNDER COVER REMOVAL/INSTALLATION.**)
2. Detach clips A and hook by pulling them in the direction of the arrow.
3. Remove the side wall.
4. Install in the reverse order of removal.

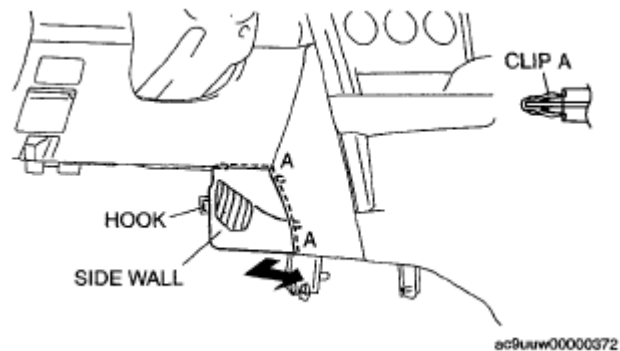
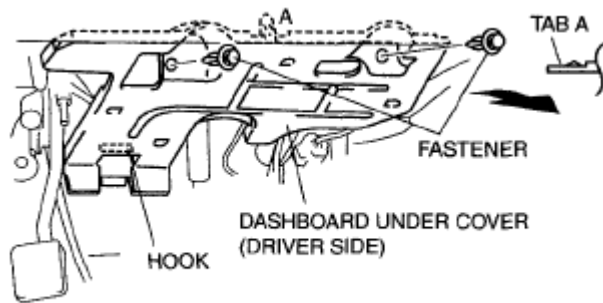


Fig. 26: Identifying Side Wall Hook & Clips
Courtesy of MAZDA MOTORS CORP.

DASHBOARD UNDER COVER REMOVAL/INSTALLATION

DRIVER SIDE

1. Remove the fasteners.
2. Detach tab A and hook by pulling them in the direction of the arrow.
3. Remove the dashboard under cover.
4. Install in the reverse order of removal.

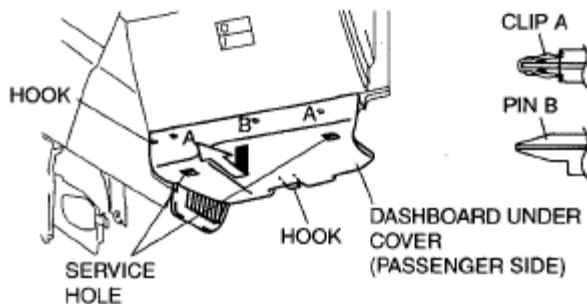


ac9uuw00000367

Fig. 27: Identifying Dashboard Under Cover, Hook & Clips (Driver Side)
 Courtesy of MAZDA MOTORS CORP.

PASSENGER SIDE

1. Insert fingers into the service hole and detach clips A and pin B and hooks by pulling it in the direction of the arrow.
2. Remove the dashboard under cover.
3. Install in the reverse order of removal.



ac9uuw00000368

Fig. 28: Identifying Dashboard Under Cover, Hook & Clips (Passenger Side)
 Courtesy of MAZDA MOTORS CORP.

DASHBOARD GARNISH REMOVAL/INSTALLATION

1. Disconnect the negative battery cable.
2. Remove the following parts:
 1. Decoration panel (See **DECORATION PANEL REMOVAL/INSTALLATION.**)
 2. Front console box mat (See **FRONT CONSOLE BOX MAT REMOVAL/INSTALLATION.**)
 3. Indicator panel (See **INDICATOR PANEL REMOVAL/INSTALLATION.**)
 4. Front console box (See **FRONT CONSOLE BOX REMOVAL/INSTALLATION.**)
 5. Center panel (See **CENTER PANEL REMOVAL/INSTALLATION.**)
 6. Side panel (See **SIDE PANEL REMOVAL/INSTALLATION.**)

3. Remove the screw.
4. Detach clips A by pulling them in the direction of the arrow.
5. Remove the dashboard garnish.
6. Install in the reverse order of removal.

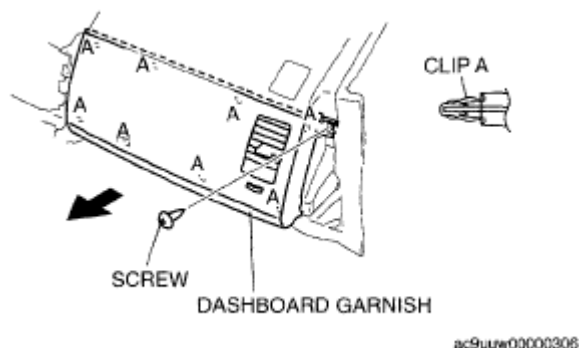


Fig. 29: Identifying Dashboard Garnish Screw & Clips
 Courtesy of MAZDA MOTORS CORP.

INDICATOR PANEL REMOVAL/INSTALLATION

1. Remove the front console box mat. (See **FRONT CONSOLE BOX MAT REMOVAL/INSTALLATION**.)
2. Detach clips A and tabs B and C by pulling them in the direction of the arrow.
3. Remove the indicator panel.
4. Install in the reverse order of removal. indicator

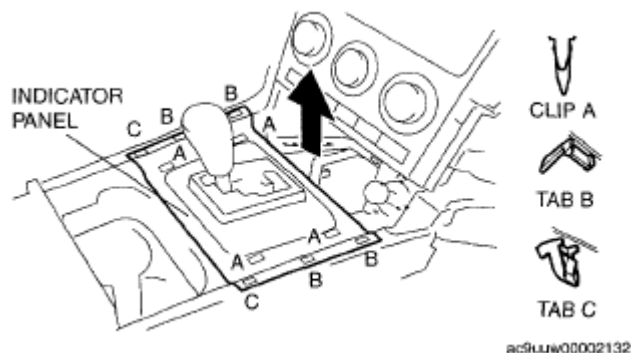


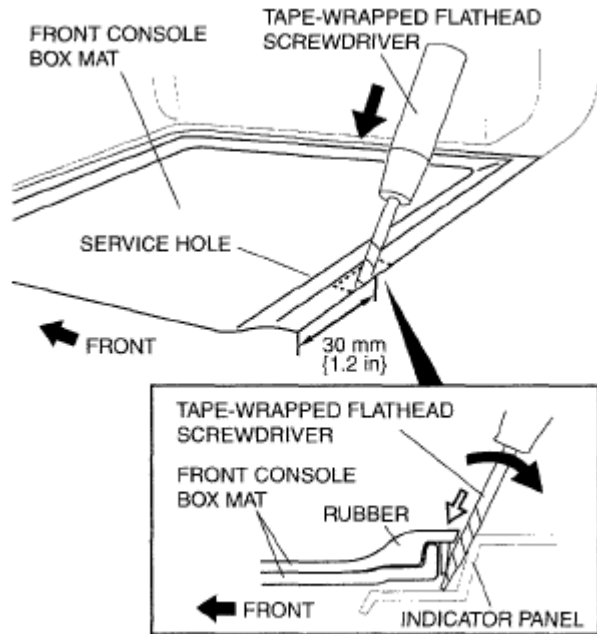
Fig. 30: Identifying Indicator Panel With Clips & Tab
 Courtesy of MAZDA MOTORS CORP.

FRONT CONSOLE BOX MAT REMOVAL/INSTALLATION

1. Insert a tape-wrapped flathead screwdriver between the indicator panel and front console box mat.

- CAUTION:**
- The rubber may deform if it is pried with a flathead screwdriver. Therefore, fully insert a tape-wrapped flathead screwdriver as shown in the figure, and do not pry the rubber.

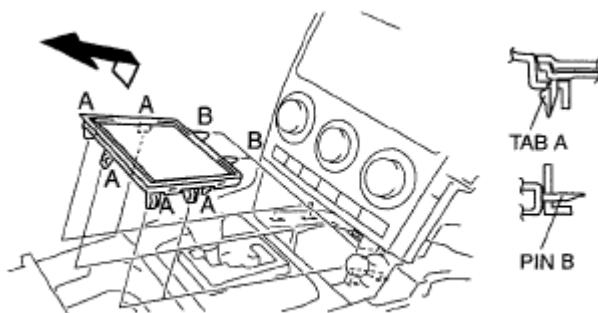
2. Raise the front console box mat.



ac9uuw00002134

Fig. 31: Inserting Screwdriver Between Indicator Panel & Front Console Box Mat
 Courtesy of MAZDA MOTORS CORP.

3. Remove the front console box mat in the direction of the arrow.
4. Remove the front console box mat.
5. Install in the reverse order of removal.



ac9uuw00000576

Fig. 32: View Of Front Console Box Mat
 Courtesy of MAZDA MOTORS CORP.

FRONT CONSOLE BOX REMOVAL/INSTALLATION

1. Disconnect the negative battery cable.
2. Remove the following parts:
 1. Decoration panel (See **DECORATION PANEL REMOVAL/INSTALLATION.**)
 2. Front console box mat (See **FRONT CONSOLE BOX MAT REMOVAL/INSTALLATION.**)
 3. Indicator panel (See **INDICATOR PANEL REMOVAL/INSTALLATION.**)
3. Remove the screw.
4. Detach clip A and hooks by pulling them in the direction of the arrow.
5. Disconnect the connector.
6. Remove the front console box.
7. Install in the reverse order of removal.

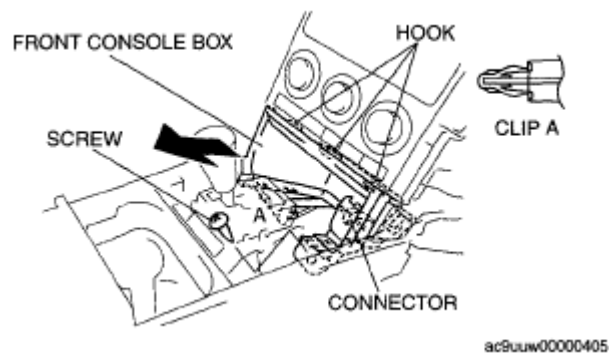


Fig. 33: Identifying Front Console Box & Connector
Courtesy of MAZDA MOTORS CORP.

CONSOLE COVER REMOVAL/INSTALLATION

1. Disconnect the negative battery cable.
2. Detach clips A and tabs B by pulling them in the direction of the arrow.
3. Disconnect the rear climate control unit connector.
4. Remove the console cover.
5. Install in the reverse order of removal.

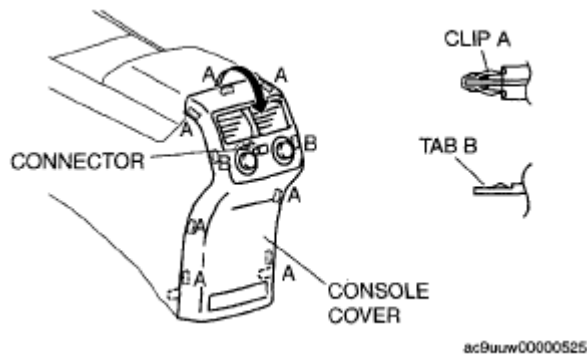


Fig. 34: Identifying Console Cover & Connector
 Courtesy of MAZDA MOTORS CORP.

CONSOLE REMOVAL/INSTALLATION

1. Disconnect the negative battery cable.
2. Remove the following parts:
 1. Decoration panel (See **DECORATION PANEL REMOVAL/INSTALLATION.**)
 2. Front console box mat (See **FRONT CONSOLE BOX MAT REMOVAL/INSTALLATION.**)
 3. Indicator panel (See **INDICATOR PANEL REMOVAL/INSTALLATION.**)
 4. Front console box (See **FRONT CONSOLE BOX REMOVAL/INSTALLATION.**)
 5. Dashboard under cover (See **DASHBOARD UNDER COVER REMOVAL/INSTALLATION.**)
 6. Side wall (See **SIDE WALL REMOVAL/INSTALLATION.**)
 7. Console panel (See **CONSOLE PANEL REMOVAL/INSTALLATION.**)
 8. Console cover (See **CONSOLE COVER REMOVAL/INSTALLATION.**)
3. Remove the screws.
4. Remove the bolts.
5. Disconnect the accessory socket connector and auxiliary jack connector, and keyless antenna connector.
6. Remove the console in the direction of the arrow.
7. Install in the reverse order of removal.

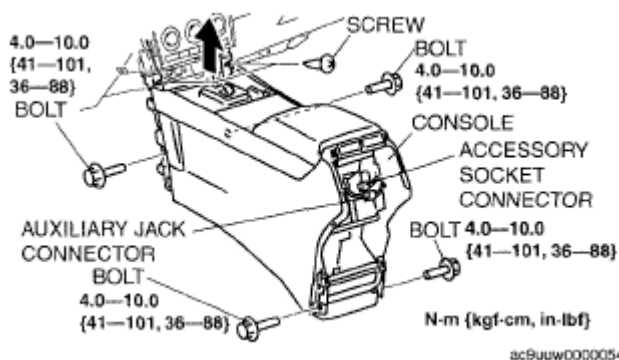
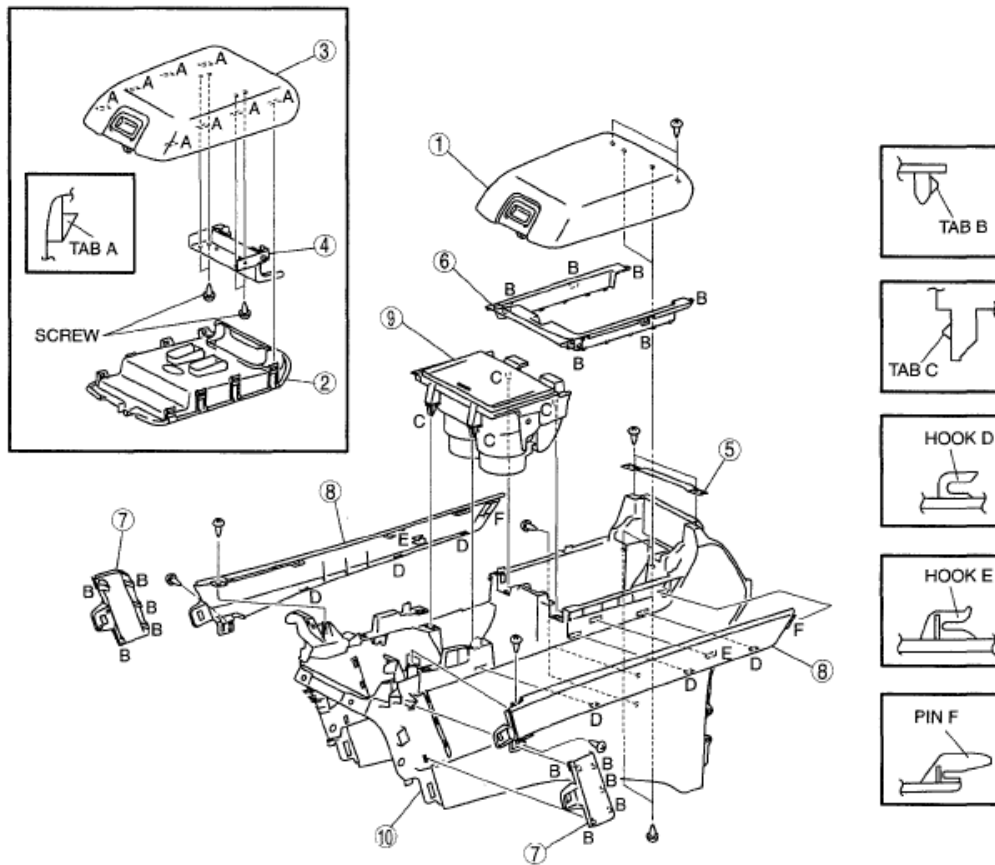


Fig. 35: Identifying Console With Accessory Socket Connector, Auxiliary Jack Connector & Torque Specifications

Courtesy of MAZDA MOTORS CORP.

CONSOLE DISASSEMBLY/ASSEMBLY

1. Disassemble in the order indicated in the table.



ac9uuw00002260

1	Console lid
2	Console lid under
3	Console lid upper
4	Console lid hinge
5	Console bracket (center)

6	Console decoration upper panel
7	Console decoration panel
8	Decoration plate (See 09-17-19 Decoration Plate Removal Note.)
9	Cup holder
10	Console

Fig. 36: Identifying Console Components

Courtesy of MAZDA MOTORS CORP.

2. Assemble in the reverse order of disassembly.

DECORATION PLATE REMOVAL NOTE

1. Slide the decoration plate towards the vehicle front as shown in the figure, then pull out the pin and hooks and remove the decoration plate.

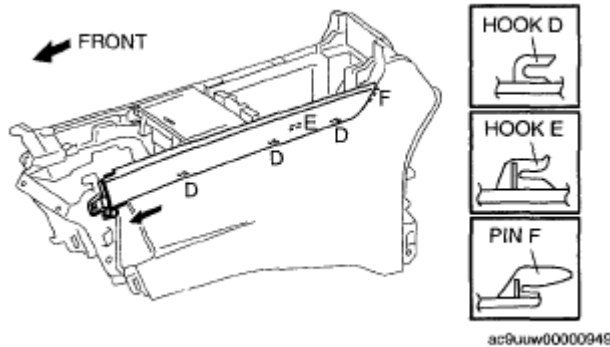


Fig. 37: Sliding Decoration Plate
Courtesy of MAZDA MOTORS CORP.

DECORATION PANEL REMOVAL/INSTALLATION

1. Detach clips A and pin B by pulling them in the direction of the arrow.
2. Remove the decoration panel.
3. Install in the reverse order of removal.

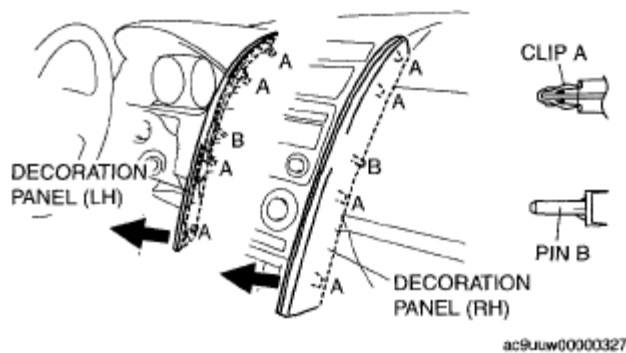


Fig. 38: Identifying Decoration Panel With Pin & Clips
Courtesy of MAZDA MOTORS CORP.

CONSOLE PANEL REMOVAL/INSTALLATION

RH

1. Remove the decoration panel (RH). (See **DECORATION PANEL REMOVAL/INSTALLATION.**)
2. Remove the dashboard under cover (Passenger side). (See **DASHBOARD UNDER COVER REMOVAL/INSTALLATION.**)
3. Detach clips A and B, and hooks by pulling them in the direction of the arrow.

4. Remove the console panel.
5. Install in the reverse order of removal.

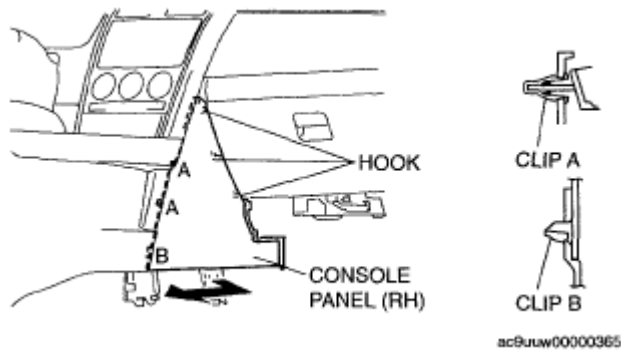


Fig. 39: Identifying RH Console Panel With Clips & Hooks
 Courtesy of MAZDA MOTORS CORP.

LH

1. Remove the decoration panel (LH). (See DECORATION PANEL REMOVAL/INSTALLATION.)
2. Remove the dashboard under cover (Driver side). (See DASHBOARD UNDER COVER REMOVAL/INSTALLATION.)
3. Remove the side wall. (See SIDE WALL REMOVAL/INSTALLATION.)
4. Remove the fastener.
5. Detach clips A and B, and hooks by pulling them in the direction of the arrow.
6. Remove the console panel.
7. Install in the reverse order of removal.

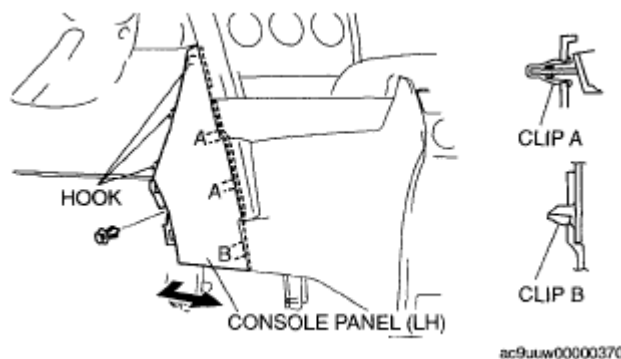


Fig. 40: Identifying LH Console Panel With Clips & Hooks
 Courtesy of MAZDA MOTORS CORP.

A-PILLAR TRIM REMOVAL/INSTALLATION

1. Partially peel back the seaming welt.

2. Pull the A-pillar trim shown in the figure in the direction of the arrow, raise clip B from its grommet together with the A-pillar trim, and remove clips A at the same time.

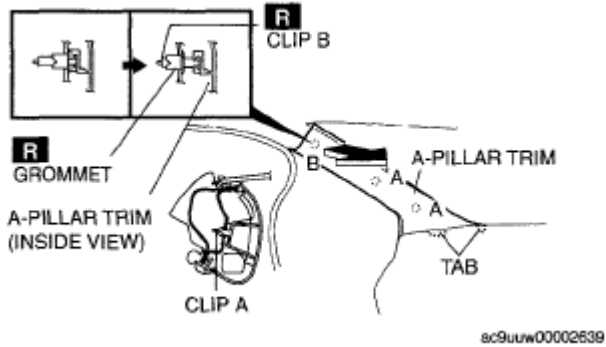


Fig. 41: Identifying A-Pillar Trim & Clips
 Courtesy of MAZDA MOTORS CORP.

3. Slide the A-pillar trim in the direction of the arrow shown in the figure and remove the A-pillar trim from clip B.

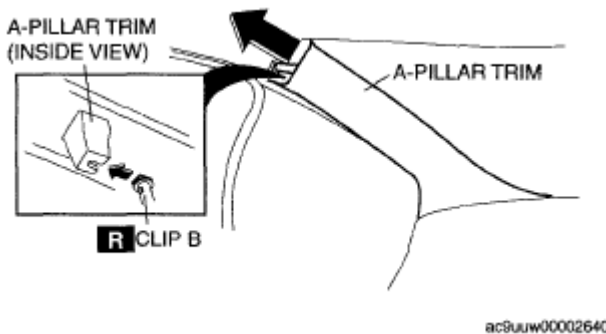


Fig. 42: Sliding A-Pillar Trim
 Courtesy of MAZDA MOTORS CORP.

4. Rotate and pull clip B in the direction of the arrow shown in the figure until it is no longer loose, and feels tight.
5. Pull clip B and remove it from the grommet.

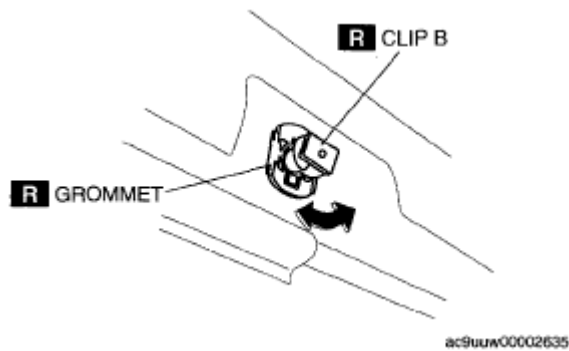


Fig. 43: Identifying Grommet & Clip
 Courtesy of MAZDA MOTORS CORP.

6. Insert a tape-wrapped flathead screwdriver between the body and the grommet.
7. Press the tabs and remove the grommet.
8. Install the new grommet to the body.
9. Install the new clip B to the A-pillar trim.
10. Install the A-pillar trim.

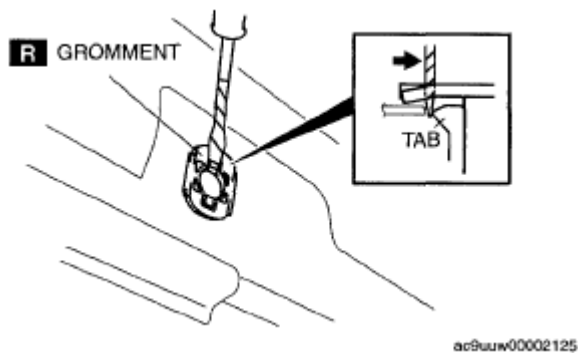


Fig. 44: Inserting Screwdriver Between Body & Grommet
 Courtesy of MAZDA MOTORS CORP.

FRONT SIDE TRIM REMOVAL/INSTALLATION

1. Remove the front scuff plate inner. (See **FRONT SCUFF PLATE REMOVAL/INSTALLATION.**)
2. Partially peel back the seaming welt.
3. Remove the nut.
4. Pull the front side trim upward, then detach clip A, pin B.
5. Remove the front side trim.
6. Install in the reverse order of removal.

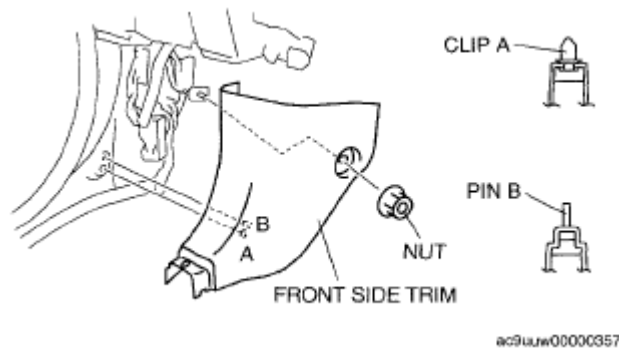


Fig. 45: Identifying Front Side Trim With Nut & Clips
 Courtesy of MAZDA MOTORS CORP.

B-PILLAR LOWER TRIM REMOVAL/INSTALLATION

1. Remove the front scuff plate inner. (See FRONT SCUFF PLATE REMOVAL/INSTALLATION.)
2. Remove the rear scuff plate inner. (See REAR SCUFF PLATE REMOVAL/INSTALLATION.)
3. Remove the front seat belt lower anchor installation bolt (Driver side). (See FRONT SEAT BELT REMOVAL/INSTALLATION .)
4. Partially peel back the seaming welt.
5. Detach tabs A and clips B and D, and pins C, by pulling them in the direction of the arrow.
6. Remove the B-pillar lower trim.
7. Install in the reverse order of removal.

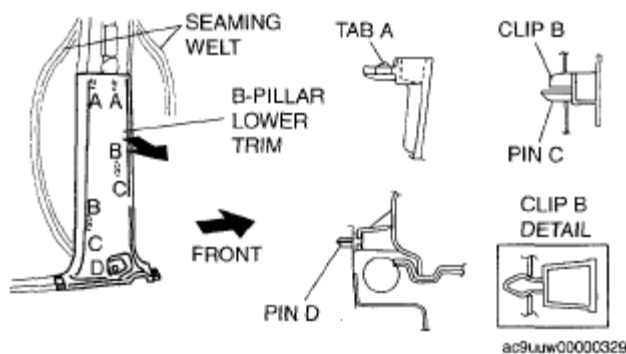


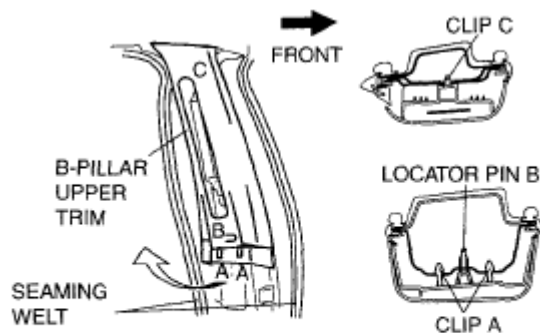
Fig. 46: Identifying B-Pillar Lower Trim With Tab & Clips
 Courtesy of MAZDA MOTORS CORP.

B-PILLAR UPPER TRIM REMOVAL/INSTALLATION

1. Remove the following parts:
 1. Front scuff plate inner (See FRONT SCUFF PLATE REMOVAL/INSTALLATION.)
 2. Rear scuff plate inner (See REAR SCUFF PLATE REMOVAL/INSTALLATION.)
 3. Front seat belt lower anchor installation bolt (Driver side) (See FRONT SEAT BELT

REMOVAL/INSTALLATION .)

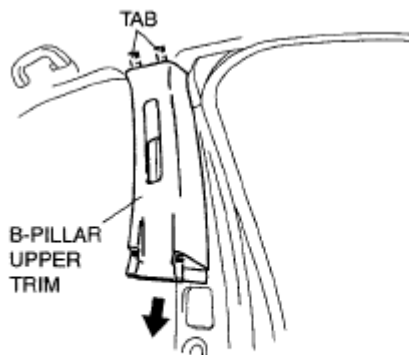
4. B-pillar lower trim (See **B-PILLAR LOWER TRIM REMOVAL/INSTALLATION.)**)
5. Front seat belt upper anchor installation bolt (See **FRONT SEAT BELT REMOVAL/INSTALLATION .)**)
2. Partially peel back the seaming welt.
3. Detach clips A and C, and pin B by pulling them in the direction of the arrow.



ac9uuw0000331

Fig. 47: Identifying B-Pillar Upper Trim With Pin & Clips
 Courtesy of MAZDA MOTORS CORP.

4. Remove the B pillar upper trim in the direction of the arrow.
5. Install in the reverse order of removal.



ac9uuw00002128

Fig. 48: Identifying B-Pillar Upper Trim
 Courtesy of MAZDA MOTORS CORP.

ROOF SIDE TRIM REMOVAL/INSTALLATION

1. Detach clip A and B, and tab C by pulling them in the direction of the arrow.

2. Remove the roof side trim.
3. Install in the reverse order of removal.

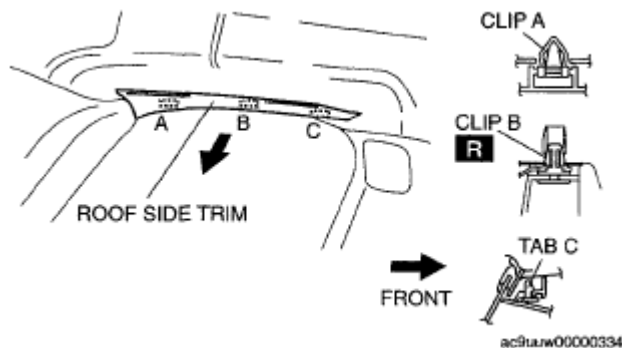


Fig. 49: Identifying Roof Side Trim & Clips
 Courtesy of MAZDA MOTORS CORP.

C-PILLAR TRIM REMOVAL/INSTALLATION

1. Disconnect the negative battery cable.
2. Remove the following parts:
 1. Trunk box (See **TRUNK BOX REMOVAL/INSTALLATION.**)
 2. Seat side box (See **SEAT SIDE BOX REMOVAL/INSTALLATION.**)
 3. Trunk end trim (See **TRUNK END TRIM REMOVAL/INSTALLATION.**)
 4. Third-row seat (See **THIRD-ROW SEAT REMOVAL/INSTALLATION .**)
 5. Third-row seat belt lower anchor installation bolt (See **THIRD-ROW SEAT BELT REMOVAL/INSTALLATION .**)
 6. Rear scuff plate inner (See **REAR SCUFF PLATE REMOVAL/INSTALLATION.**)
 7. Trunk side trim (See **TRUNK SIDE TRIM REMOVAL/INSTALLATION.**)
 8. Second-row seat belt upper anchor installation bolt (See **SECOND-ROW SEAT BELT REMOVAL/INSTALLATION .**)
 9. Roof side trim (See **ROOF SIDE TRIM REMOVAL/INSTALLATION.**)
3. Partially peel back the seaming welt.
4. Remove the cover in the direction of the arrow.

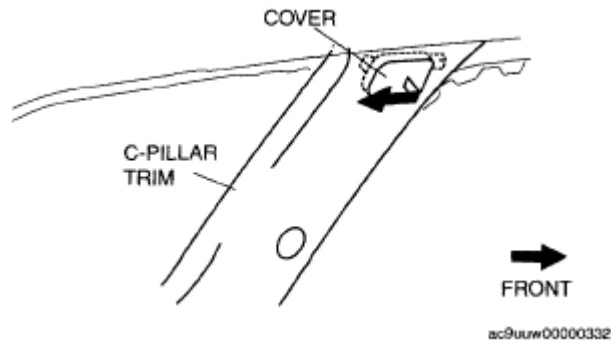


Fig. 50: Identifying C-Pillar Trim & Cover
Courtesy of MAZDA MOTORS CORP.

5. Remove the bolt.
6. Detach clip A and tab B, and pin C by pulling them in the direction of the arrow.
7. Remove the C-pillar trim.
8. Install in the reverse order of removal.

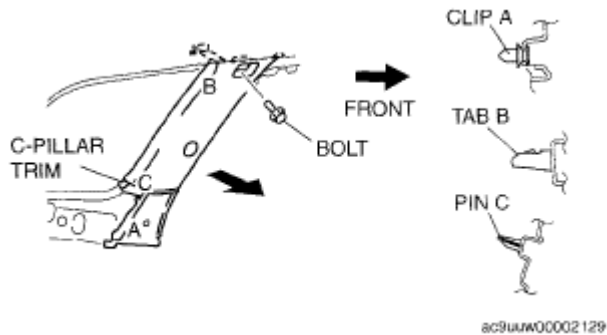
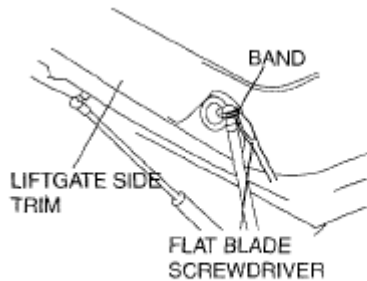


Fig. 51: Identifying C-Pillar Trim With Bolt & Clips
Courtesy of MAZDA MOTORS CORP.

D-PILLAR TRIM REMOVAL/INSTALLATION

1. Remove the following parts:
 1. Trunk box (See **TRUNK BOX REMOVAL/INSTALLATION.**)
 2. Seat side box (See **SEAT SIDE BOX REMOVAL/INSTALLATION.**)
 3. Trunk end trim (See **TRUNK END TRIM REMOVAL/INSTALLATION.**)
 4. Third-row seat (See **THIRD-ROW SEAT REMOVAL/INSTALLATION .**)
 5. Third-row seat belt lower anchor installation bolt (See **REAR SCUFF PLATE REMOVAL/INSTALLATION.**)
 6. Rear scuff plate inner (See **REAR SCUFF PLATE REMOVAL/INSTALLATION.**)
 7. Trunk side trim (See **TRUNK SIDE TRIM REMOVAL/INSTALLATION.**)
 8. Roof side trim (See **ROOF SIDE TRIM REMOVAL/INSTALLATION.**)

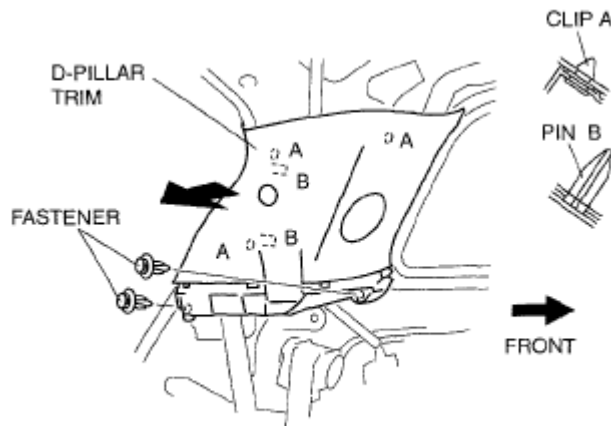
9. Third-row seat belt upper anchor installation bolt (See **THIRD-ROW SEAT BELT REMOVAL/INSTALLATION** .)
2. Remove the PLG arm band. (Vehicles with PLG)
3. Partially peel back the seaming welt.



ac9uuw00002363

Fig. 52: Identifying Liftgate Side Trim & Band
 Courtesy of MAZDA MOTORS CORP.

4. Remove the fasteners.
5. Detach clips A and pins B by pulling them in the direction of the arrow.
6. Remove the D-pillar trim.
7. Install in the reverse order of removal.



ac9uuw00000333

Fig. 53: Identifying D-Pillar Trim With Fasteners & Clips
 Courtesy of MAZDA MOTORS CORP.

FRONT SCUFF PLATE REMOVAL/INSTALLATION

FRONT SCUFF PLATE INNER

1. Pull the front scuff plate inner upward while detaching tab A, detach clips B, pins C, and tab D from the

body, and then remove the front scuff plate inner.

2. Install in the reverse order of removal.

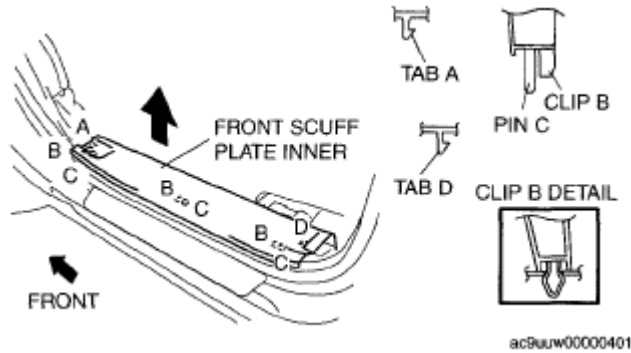


Fig. 54: Identifying Front Scuff Plate Inner With Clips & Tab
 Courtesy of MAZDA MOTORS CORP.

FRONT SCUFF PLATE OUTER

1. Pull the front scuff plate outer upward, detach clips A, tabs B, and pin C, from the body, and then remove the front scuff plate outer.
2. Install in the reverse order of removal.

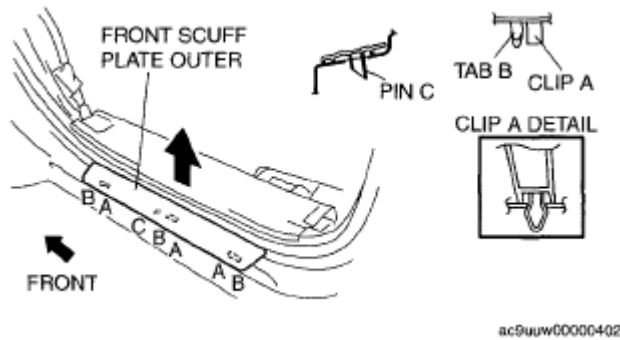
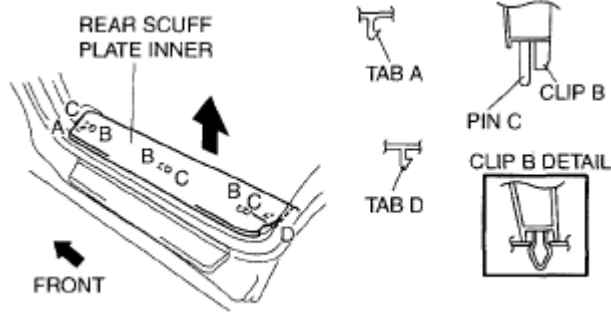


Fig. 55: Identifying Front Scuff Plate Outer With Clips & Tab
 Courtesy of MAZDA MOTORS CORP.

REAR SCUFF PLATE REMOVAL/INSTALLATION

REAR SCUFF PLATE INNER

1. Pull the rear scuff plate inner upward while detaching tab A, detach clips B, pins C, and tab D, from the body, and then remove the rear scuff plate inner.
2. Install in the reverse order of removal.

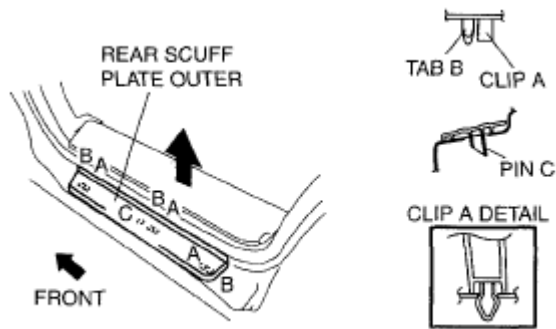


ac9uuw00000403

Fig. 56: Identifying Rear Scuff Plate Inner With Tab & Clips
 Courtesy of MAZDA MOTORS CORP.

REAR SCUFF PLATE OUTER

1. Pull the rear scuff plate outer upward, detach clips A, tabs B, and pin C, from the body, and then remove the rear scuff plate outer.
2. Install in the reverse order of removal.

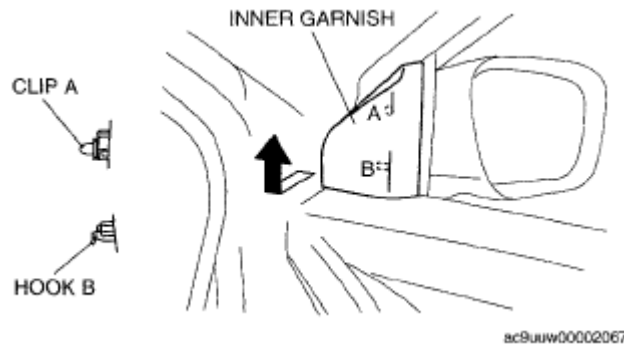


ac9uuw00000404

Fig. 57: Identifying Rear Scuff Plate Outer With Tab & Clips
 Courtesy of MAZDA MOTORS CORP.

INNER GARNISH REMOVAL/INSTALLATION

1. Detach clips A and hook B by pulling them in the direction of the arrow.
2. Remove the inner garnish.
3. Install in the reverse order of removal.



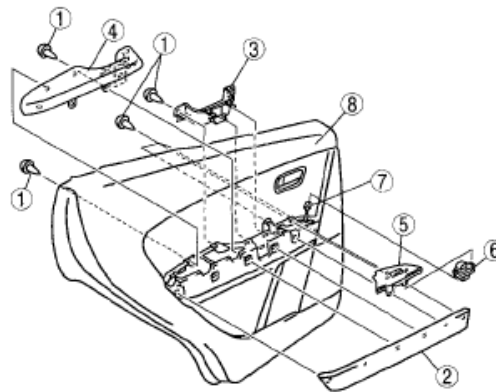
ac9uuw00002067

Fig. 58: Identifying Inner Garnish With Hook & Clips
 Courtesy of MAZDA MOTORS CORP.

REAR DOOR TRIM DISASSEMBLY/ASSEMBLY

1. Disassemble in the order indicated in the table.
2. Assemble in the reverse order of disassembly.

1	Screw
2	Rear door decoration panel
3	Handle pull
4	Armrest
5	Switch panel
6	Power window subswitch
7	Connector
8	Rear door trim



ac9uuw0000493

Fig. 59: Identifying Rear Door Trim Components
 Courtesy of MAZDA MOTORS CORP.

TRUNK END TRIM REMOVAL/INSTALLATION

1. Remove the trunk box. (See **TRUNK BOX REMOVAL/INSTALLATION.**)
2. Remove the seat side box. (See **SEAT SIDE BOX REMOVAL/INSTALLATION.**)
3. Detach clips A and pin B by pulling them in the direction of the arrow.
4. Remove the trunk end trim.
5. Install in the reverse order of removal.

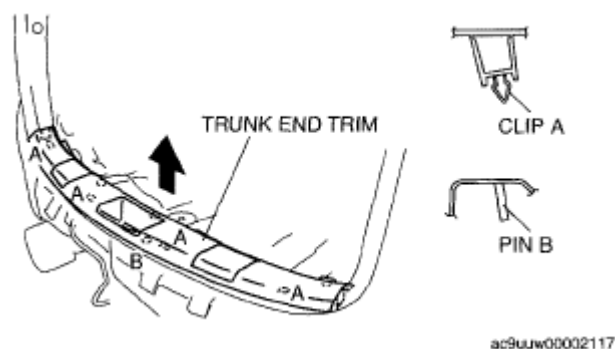


Fig. 60: Identifying Trunk End Trim With Pin & Clip
 Courtesy of MAZDA MOTORS CORP.

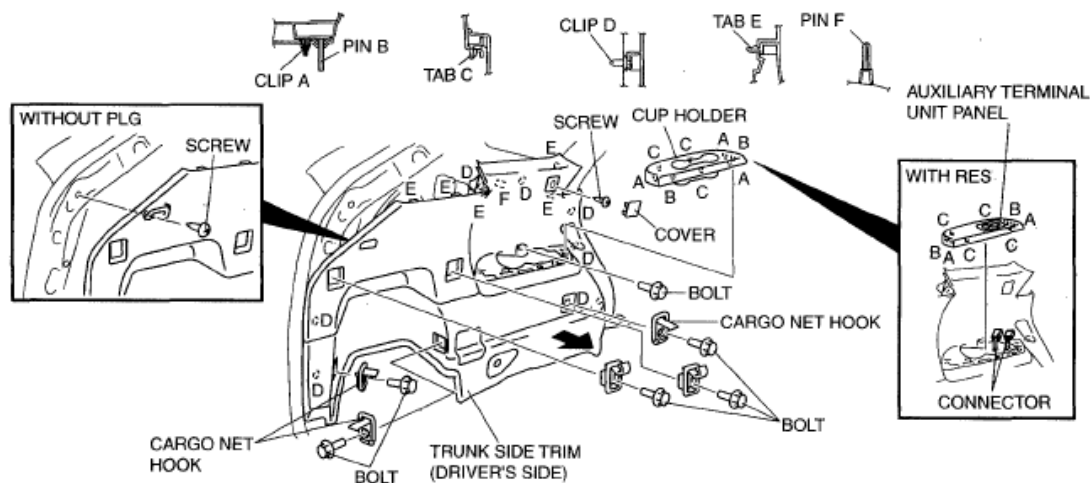
TRUNK SIDE TRIM REMOVAL/INSTALLATION

DRIVER SIDE

1. Disconnect the negative battery cable.
2. Remove the following parts:
 1. Trunk box (See **TRUNK BOX REMOVAL/INSTALLATION.**)
 2. Seat side box (See **SEAT SIDE BOX REMOVAL/INSTALLATION.**)
 3. Trunk end trim (See **TRUNK END TRIM REMOVAL/INSTALLATION.**)
 4. Third-row seat (See **THIRD-ROW SEAT REMOVAL/INSTALLATION .**)
 5. Rear scuff plate inner (LH) (See **REAR SCUFF PLATE REMOVAL/INSTALLATION.**)
 6. Third-row seat belt lower anchor installation bolt (LH) (See **THIRD-ROW SEAT BELT REMOVAL/INSTALLATION .**)
3. Pull the cup holder upward and detach clips A, pins B, and tabs C. (Vehicles without RES)
4. Pull the auxiliary terminal unit panel upward and detach clips A, pins B, and tabs C. (Vehicles with RES)
5. Disconnect the power supply socket connector and external input connector. (Vehicles with RES)
6. Remove the cup holder. (Vehicles without RES)
7. Remove the external input panel. (Vehicles with RES)
8. Remove the bolts, and remove the cargo net hook.
9. Remove the cover.
10. Remove the screw.
11. Remove the bolts.
12. Pull the trunk side trim outward and detach clips D, tabs E, and pin F.
13. Remove the trunk side trim.
14. Install in the reverse order of removal.

2008 Mazda CX-9 Grand Touring

2008 BODY & ACCESSORIES Interior Trim - Mazda CX-9



ac9uuw0002115

Fig. 61: Identifying Trunk Side Trim Remove/Install Components (Driver Side)
Courtesy of MAZDA MOTORS CORP.

PASSENGER SIDE

1. Disconnect the negative battery cable.
2. Remove the following parts:
 1. Trunk box (See **TRUNK BOX REMOVAL/INSTALLATION.**)
 2. Seat side box (See **SEAT SIDE BOX REMOVAL/INSTALLATION.**)
 3. Trunk end trim (See **TRUNK END TRIM REMOVAL/INSTALLATION.**)
 4. Third-row seat (See **THIRD-ROW SEAT REMOVAL/INSTALLATION .**)
 5. Rear scuff plate inner (RH) (See **REAR SCUFF PLATE REMOVAL/INSTALLATION.**)
 6. Third-row seat belt lower anchor installation bolt (RH) (See **THIRD-ROW SEAT BELT REMOVAL/INSTALLATION .**)
3. Pull the cup holder upward and detach clips A, pins B, and tabs C.
4. Remove the cup holder.
5. Remove the bolts, and remove the cargo net hook.
6. Remove the cover.
7. Remove the screw.
8. Remove the bolts.
9. Pull the trunk side trim outward and detach clips D, tabs E, and pin F.
10. Disconnect the accessory socket connector.
11. Remove the trunk side trim.
12. Install in the reverse order of removal.

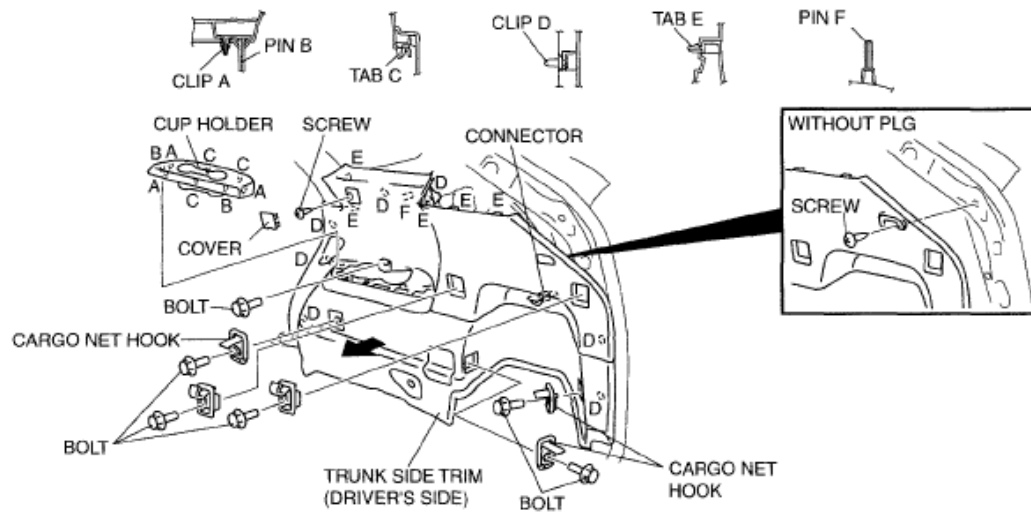


Fig. 62: Identifying Trunk Side Trim Components (Passenger Side)
 Courtesy of MAZDA MOTORS CORP.

FRONT DOOR TRIM REMOVAL/INSTALLATION

1. Disconnect the negative battery cable.
2. Remove the inner garnish. (See **INNER GARNISH REMOVAL/INSTALLATION**.)
3. Open the cover using a small flathead screwdriver and remove the screw.
4. Remove the armrest garnish in the direction of the arrow.
5. Remove the bolt.
6. Detach clips A from the front door using a fastener remover.
7. Pull the front door trim upward and detach tabs B from the front door.

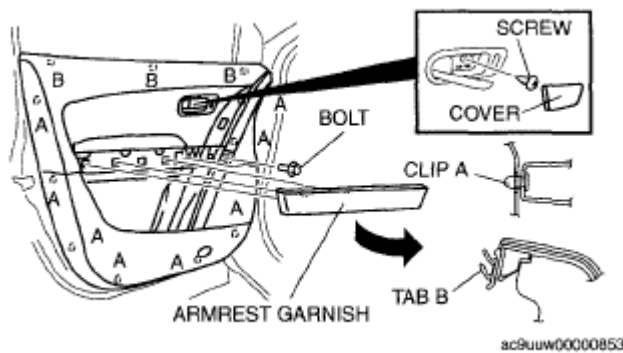


Fig. 63: Identifying Armrest Garnish, Clips & Bolts
 Courtesy of MAZDA MOTORS CORP.

8. Remove tab A, and move the front door trim in the direction of the arrow.

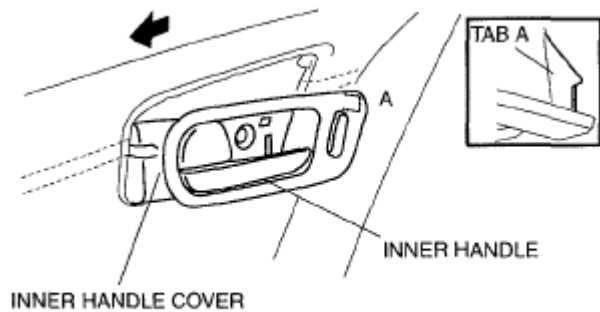


Fig. 64: Identifying Inner Handle & Cover
 Courtesy of MAZDA MOTORS CORP.

9. Turn the inner handle cover in the direction of the arrow and remove it from the front door trim.
10. Disconnect the power window main switch connector and the power outer mirror switch connector and door lock switch connector. (Driver side)
11. Disconnect the power window subswitch connector. (Passenger side)
12. Disconnect the courtesy light connector.
13. Remove the front door trim.
14. Install in the reverse order of removal.

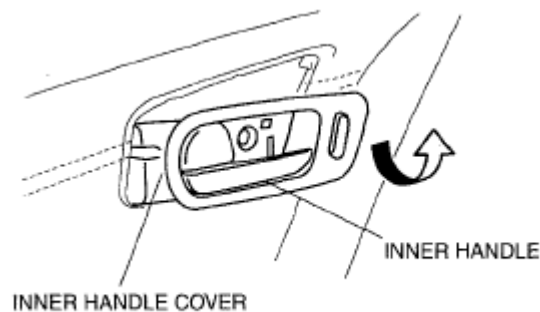


Fig. 65: Turning Inner Handle Cover
 Courtesy of MAZDA MOTORS CORP.

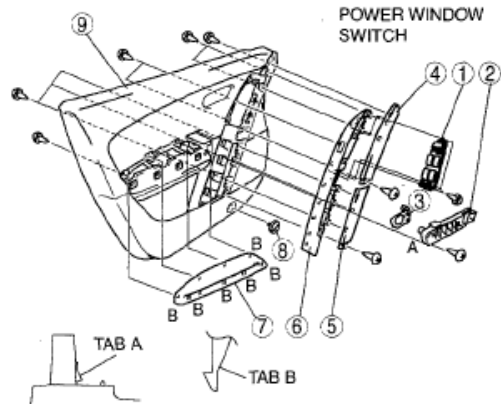
FRONT DOOR TRIM DISASSEMBLY/ASSEMBLY

1. Disassemble in the order indicated in the table.
2. Assemble in the reverse order of disassembly.

2008 Mazda CX-9 Grand Touring

2008 BODY & ACCESSORIES Interior Trim - Mazda CX-9

1	Power window switch
2	Handle pull
3	Front door pocket indirect illumination holder
4	Door side panel upper
5	Door side panel lower
6	Switch panel
7	Armrest
8	Lens (See 09-18-31 COURTESY LIGHT BULB REMOVAL/INSTALLATION.)
9	Door trim

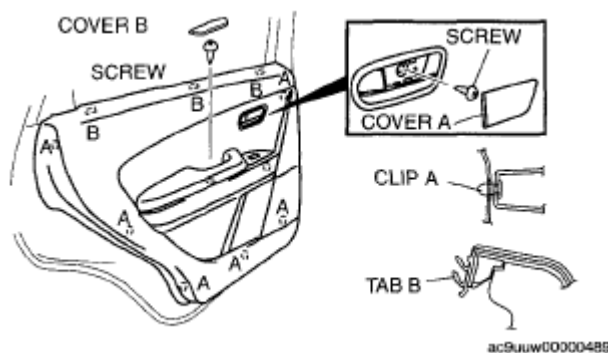


ac9uuw0000694

Fig. 66: Identifying Front Door Trim Components
Courtesy of MAZDA MOTORS CORP.

REAR DOOR TRIM REMOVAL/INSTALLATION

1. Disconnect the negative battery cable.
2. Remove the inner sail garnish. (See **INNER SAIL GARNISH REMOVAL/INSTALLATION.**)
3. Open the cover A using a small flathead screwdriver and remove the screw.
4. Pull up the cover B and remove the screw.
5. Detach clips A from the front door using a fastener remover.
6. Pull the front door trim upward and detach tabs B from the front door.



ac9uuw0000489

Fig. 67: Identifying Rear Door Trim, Cover & Screw
Courtesy of MAZDA MOTORS CORP.

7. Remove tab A, and move the rear door trim in the direction of the arrow.

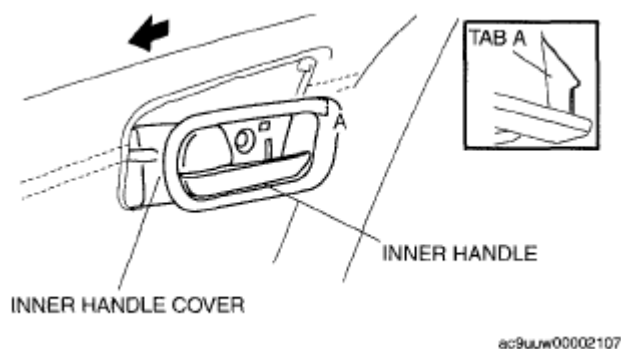


Fig. 68: Identifying Inner Handle & Cover
Courtesy of MAZDA MOTORS CORP.

8. Turn the inner handle cover in the direction of the arrow and remove it from the rear door trim.
9. Disconnect the power window subswitch connector.
10. Remove the rear door trim.
11. Install in the reverse order of removal.

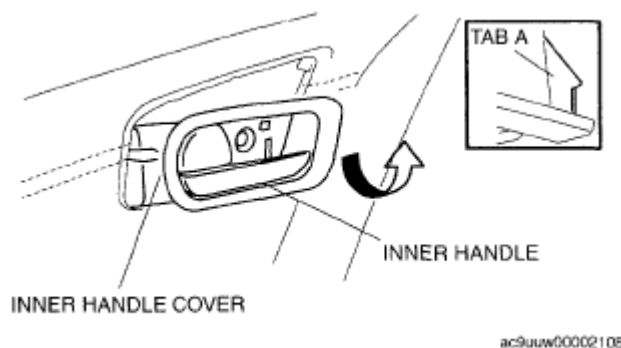
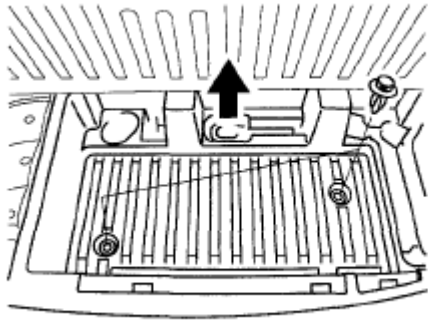


Fig. 69: Turning Inner Handle Cover
Courtesy of MAZDA MOTORS CORP.

TRUNK BOX REMOVAL/INSTALLATION

1. Open the trunk board.
2. Remove the fasteners.
3. Remove the trunk box in the direction of the arrow.
4. Install in the reverse order of removal.



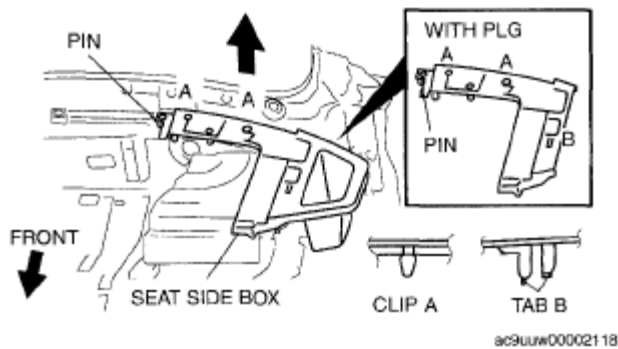
ac9uuw0002126

Fig. 70: Identifying Trunk Box With Clips
 Courtesy of MAZDA MOTORS CORP.

SEAT SIDE BOX REMOVAL/INSTALLATION

WITH BOSE®

1. Remove the trunk box. (See **TRUNK BOX REMOVAL/INSTALLATION.**)
2. Detach clips A and tab B by pulling them in the direction of the arrow.
3. Remove the seat side box.
4. Install in the reverse order of removal.



ac9uuw0002118

Fig. 71: Identifying Seat Side Box With Clips & Tab
 Courtesy of MAZDA MOTORS CORP.

WITHOUT BOSE®

1. Remove the trunk box. (See **TRUNK BOX REMOVAL/INSTALLATION.**)
2. Detach pins by pulling them in the direction of the arrow.
3. Remove the seat side box.
4. Install in the reverse order of removal.

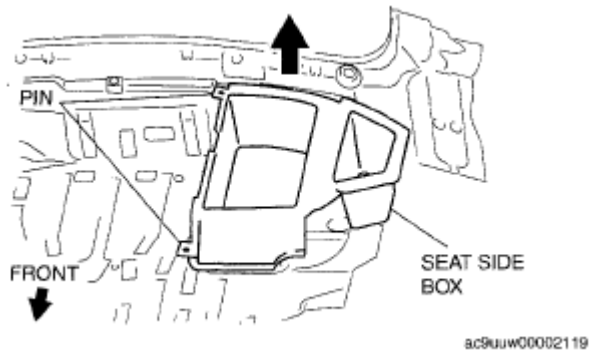


Fig. 72: Identifying Seat Side Box With Clips & Tab
 Courtesy of MAZDA MOTORS CORP.

LIFTGATE UPPER TRIM REMOVAL/INSTALLATION

1. Detach tabs A, clips B, and pin C by pulling them in the direction of the arrow.
2. Remove the liftgate upper trim.
3. Install in the reverse order of removal.

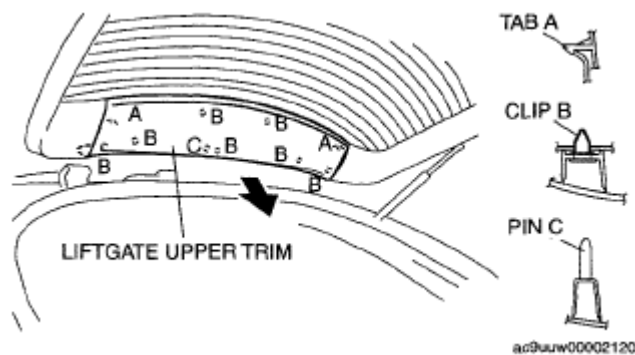
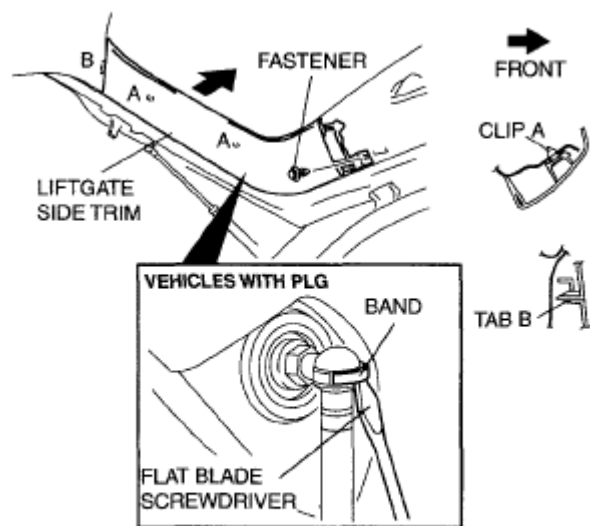


Fig. 73: Identifying Liftgate Upper Trim, Clips, Pin & Tab
 Courtesy of MAZDA MOTORS CORP.

LIFTGATE SIDE TRIM REMOVAL/INSTALLATION

1. Remove the liftgate upper trim. (See LIFTGATE UPPER TRIM REMOVAL/INSTALLATION.)
2. Remove the PLG arm band. (Vehicles with PLG)
3. Remove the fastener.
4. Detach clips A and tab C by pulling them in the direction of the arrow.
5. Remove the liftgate side trim.
6. Install in the reverse order of removal.

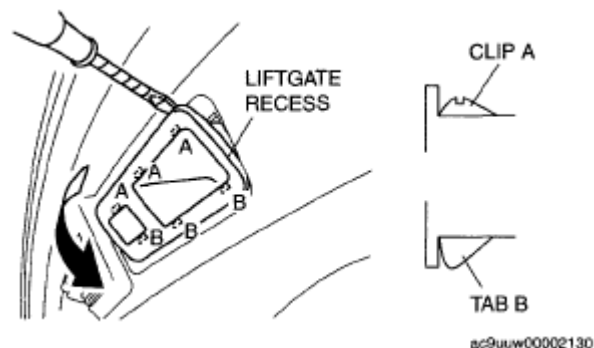


ac9uuw00000373

Fig. 74: Identifying Liftgate Side Trim With Clips & Tab
 Courtesy of MAZDA MOTORS CORP.

LIFTGATE LOWER TRIM REMOVAL/INSTALLATION

1. Disconnect the negative battery cable.
2. Remove the liftgate upper trim. (See **LIFTGATE UPPER TRIM REMOVAL/INSTALLATION.**)
3. Remove the liftgate side trim. (See **LIFTGATE SIDE TRIM REMOVAL/INSTALLATION.**)
4. Insert a tape-wrapped flathead screwdriver into the position shown in the figure, and pull the screwdriver in the direction of the arrow to detach clips A.
5. Detach tabs B and remove the liftgate recess.
6. Disconnect the PLG sub switch connector. (Vehicles with PLG)



ac9uuw00002130

Fig. 75: Removing Liftgate Recess
 Courtesy of MAZDA MOTORS CORP.

7. Remove the fasteners.

8. Detach clips A, tabs B, and pins C by pulling them in the direction of the arrow.
9. Disconnect the cargo compartment light connector.
10. Remove the liftgate lower trim.
11. Install in the reverse order of removal.

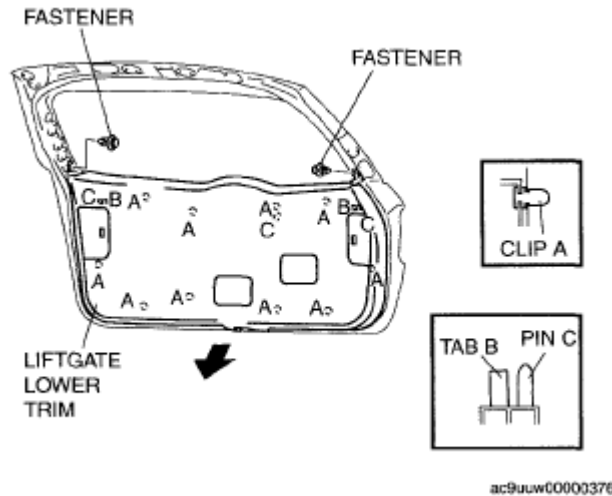


Fig. 76: Identifying Liftgate Lower Trim & Fasteners
 Courtesy of MAZDA MOTORS CORP.

ASSIST HANDLE REMOVAL/INSTALLATION

ASSIST HANDLE REMOVAL

1. Insert a flathead screwdriver into the service hole and remove the assist handle covers.

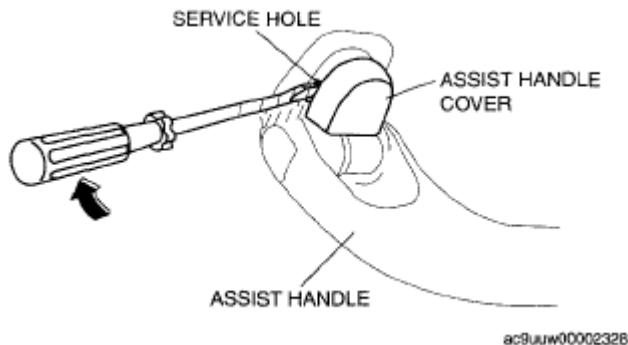
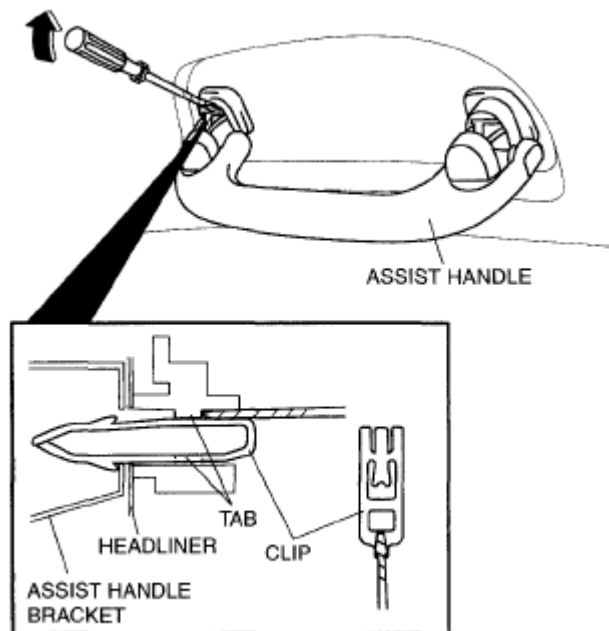


Fig. 77: Removing Assist Handle Covers
 Courtesy of MAZDA MOTORS CORP.

2. Insert a tape-wrapped flathead screwdriver into the position shown in the figure, press the flathead screwdriver in the direction of the arrow and press the clip away from the assist handle bracket.

- CAUTION:**
- When inserting a flathead screwdriver, be careful not to damage the assist handle tabs shown in the figure.

3. Remove the assist handle by shaking it up and down.



ac9uuw00002357

Fig. 78: Removing Assist Handle Bracket
Courtesy of MAZDA MOTORS CORP.

ASSIST HANDLE INSTALLATION

1. Push the assist handle in the direction of the arrow with the assist handle cover assembled to install the assist handle.



ac9uuw00002358

Fig. 79: Pushing Assist Handle
Courtesy of MAZDA MOTORS CORP.

SUNVISOR REMOVAL/INSTALLATION

1. Disconnect the negative battery cable.
2. Remove the cover.
3. Remove the screw.
4. Rotate the sunvisor in the direction of the arrow.
5. Unhook and remove the sunvisor.
6. Disconnect the vanity mirror illumination connector.

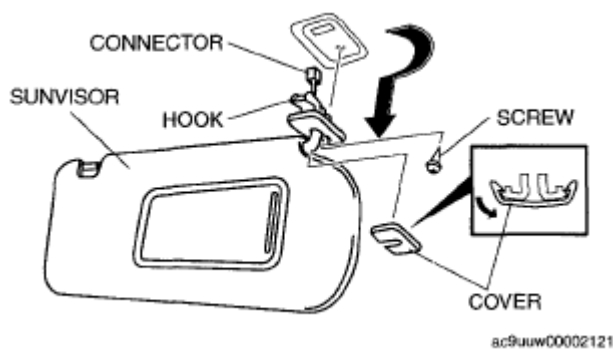


Fig. 80: Identifying Sunvisor, Cover, Hook & Screw
 Courtesy of MAZDA MOTORS CORP.

7. Press the center adaptor tabs as shown in the figure using two tape-wrapped flathead screwdrivers, and remove the center adaptor.
8. Install in the reverse order of removal.

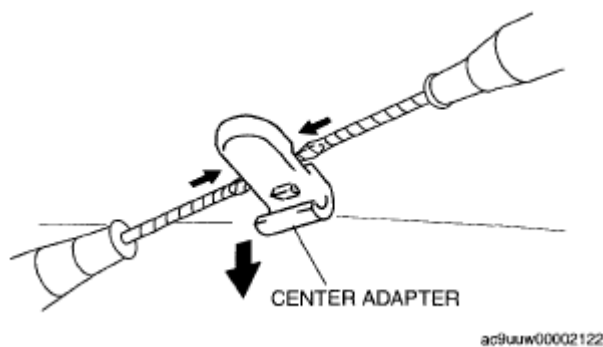


Fig. 81: Pressing Center Adaptor Tabs
 Courtesy of MAZDA MOTORS CORP.

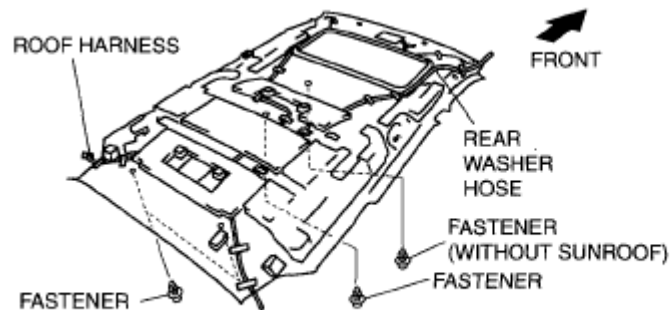
HEADLINER REMOVAL/INSTALLATION

1. Disconnect the negative battery cable.
2. Partially peel back the seaming welt.
3. Remove the following parts:
 1. A-pillar trim (See [A-PILLAR TRIM REMOVAL/INSTALLATION.](#))

2008 Mazda CX-9 Grand Touring

2008 BODY & ACCESSORIES Interior Trim - Mazda CX-9

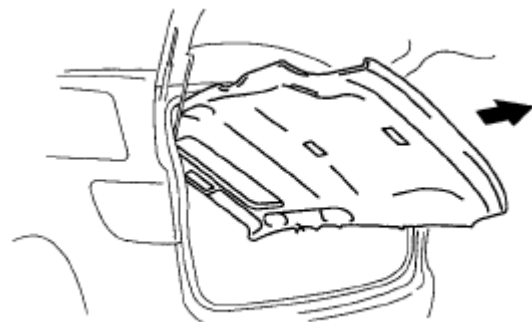
2. Front scuff plate inner (See **FRONT SCUFF PLATE REMOVAL/INSTALLATION.**)
 3. Rear scuff plate inner (See **REAR SCUFF PLATE REMOVAL/INSTALLATION.**)
 4. Front seat belt lower anchor installation bolt (Driver side) (See **FRONT SEAT BELT REMOVAL/INSTALLATION .**)
 5. B-pillar lower trim (See **B-PILLAR LOWER TRIM REMOVAL/INSTALLATION.**)
 6. Front seat belt upper anchor installation bolt (See **FRONT SEAT BELT REMOVAL/INSTALLATION .**)
 7. B-pillar upper trim (See **B-PILLAR UPPER TRIM REMOVAL/INSTALLATION.**)
 8. Trunk box (See **TRUNK BOX REMOVAL/INSTALLATION.**)
 9. Seat side box (See **SEAT SIDE BOX REMOVAL/INSTALLATION.**)
 10. Trunk end trim (See **TRUNK END TRIM REMOVAL/INSTALLATION.**)
 11. Third-row seat (See **THIRD-ROW SEAT REMOVAL/INSTALLATION .**)
 12. Third-row seat belt lower anchor installation bolt (See **THIRD-ROW SEAT BELT REMOVAL/INSTALLATION .**)
 13. Trunk side trim (See **TRUNK SIDE TRIM REMOVAL/INSTALLATION**)
 14. Roof side trim (See **ROOF SIDE TRIM REMOVAL/INSTALLATION.**)
 15. Second-row seat belt upper anchor installation bolt (See **SECOND-ROW SEAT BELT REMOVAL/INSTALLATION .**)
 16. C-pillar trim (See **C-PILLAR TRIM REMOVAL/INSTALLATION.**)
 17. Third-row seat belt upper anchor installation bolt (See **THIRD-ROW SEAT BELT REMOVAL/INSTALLATION .**)
 18. D-pillar trim (See **D-PILLAR TRIM REMOVAL/INSTALLATION.**)
 19. Front map light (See **FRONT MAP LIGHT REMOVAL/INSTALLATION .**)
 20. Sunvisor (See **SUNVISOR REMOVAL/INSTALLATION.**)
 21. Assist handle (See **ASSIST HANDLE REMOVAL/INSTALLATION.**)
 22. RES unit cover (Vehicles with RES) (See **RES UNIT REMOVAL/INSTALLATION .**)
4. Disconnect the roof harness connector.
 5. Disconnect the rear washer hose.
 6. Remove the sunroof seaming welt. (Vehicles with sunroof)
 7. Remove the fasteners.



ac9uuw00000445

Fig. 82: Identifying Headliner, Roof Harness & Fasteners
Courtesy of MAZDA MOTORS CORP.

8. Take the headliner out from the opened liftgate.
9. Install in the reverse order of removal.



ac9uuw00000446

Fig. 83: Identifying Headliner
Courtesy of MAZDA MOTORS CORP.

FLOOR COVERING REMOVAL/INSTALLATION

1. Disconnect the negative battery cable.
2. Remove the following parts:
 1. Front seat (See **FRONT SEAT REMOVAL/INSTALLATION** .)
 2. Second-row seat (See **SECOND-ROW SEAT REMOVAL/INSTALLATION** .)
 3. Edge cover (See **LONG SLIDER REMOVAL/INSTALLATION** .)
 4. long slider cover (See **LONG SLIDER REMOVAL/INSTALLATION** .)
 5. Trunk box (See **TRUNK BOX REMOVAL/INSTALLATION.**)
 6. Seat side box (See **SEAT SIDE BOX REMOVAL/INSTALLATION.**)
 7. Trunk end trim (See **TRUNK END TRIM REMOVAL/INSTALLATION.**)
 8. Third-row seat (See **THIRD-ROW SEAT REMOVAL/INSTALLATION** .)
 9. Dashboard under cover (See **DASHBOARD UNDER COVER REMOVAL/INSTALLATION.**)

10. Front scuff plate inner (See **FRONT SCUFF PLATE REMOVAL/INSTALLATION.**)
 11. Front side trim (See **FRONT SIDE TRIM REMOVAL/INSTALLATION.**)
 12. Dust cover (See **STEERING WHEEL AND COLUMN REMOVAL/INSTALLATION .**)
 13. Side wall (See **SIDE WALL REMOVAL/INSTALLATION.**)
 14. Console panel (See **CONSOLE PANEL REMOVAL/INSTALLATION.**)
 15. Console cover (See **CONSOLE COVER REMOVAL/INSTALLATION.**)
 16. Decoration panel (See **DECORATION PANEL REMOVAL/INSTALLATION.**)
 17. Front console box mat (See **FRONT CONSOLE BOX MAT REMOVAL/INSTALLATION.**)
 18. Indicator panel (See **INDICATOR PANEL REMOVAL/INSTALLATION.**)
 19. Front console box (See **FRONT CONSOLE BOX REMOVAL/INSTALLATION.**)
 20. Console (See **CONSOLE REMOVAL/INSTALLATION.**)
 21. Rear scuff plate inner (See **REAR SCUFF PLATE REMOVAL/INSTALLATION.**)
 22. Front seat belt lower anchor installation bolt (Driver side) (See **FRONT SEAT BELT REMOVAL/INSTALLATION .**)
 23. B-pillar lower trim (See **B-PILLAR LOWER TRIM REMOVAL/INSTALLATION.**)
 24. Third-row seat belt lower anchor installation bolt (See **THIRD-ROW SEAT BELT REMOVAL/INSTALLATION .**)
 25. Trunk side trim (See **TRUNK SIDE TRIM REMOVAL/INSTALLATION.**)
 26. Fuel-filler lid release cover (See **FUEL-FILLER LID OPENER REMOVAL/INSTALLATION .**)
3. Remove the fasteners A and B.
 4. Remove the nut.
 5. Take the floor covering out from the opened liftgate.
 6. Install in the reverse order of removal.

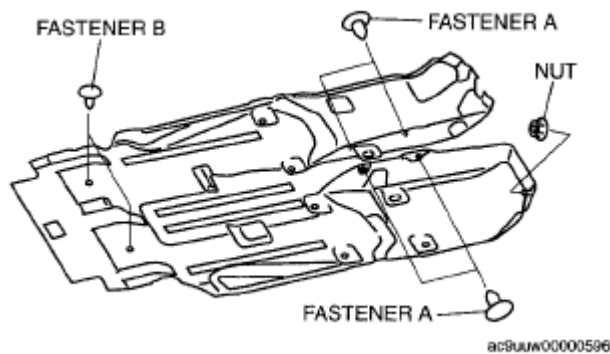


Fig. 84: Identifying Floor Covering With Fasteners
 Courtesy of MAZDA MOTORS CORP.