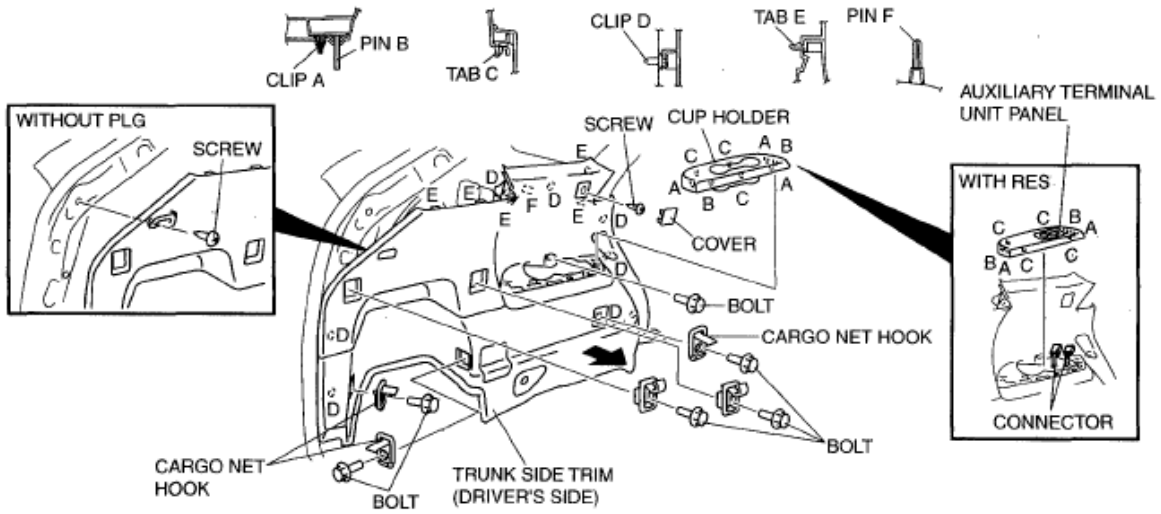


**Fig. 61: Identifying Trunk Side Trim Remove/Install Components (Driver Side)  
MAZDA MOTORS CORP.**



ac9urw00002115