

Fig. 12: Identifying Front Bumper Ends
Courtesy of MAZDA MOTORS CORP.

FRONT BUMPER INSTALLATION NOTE

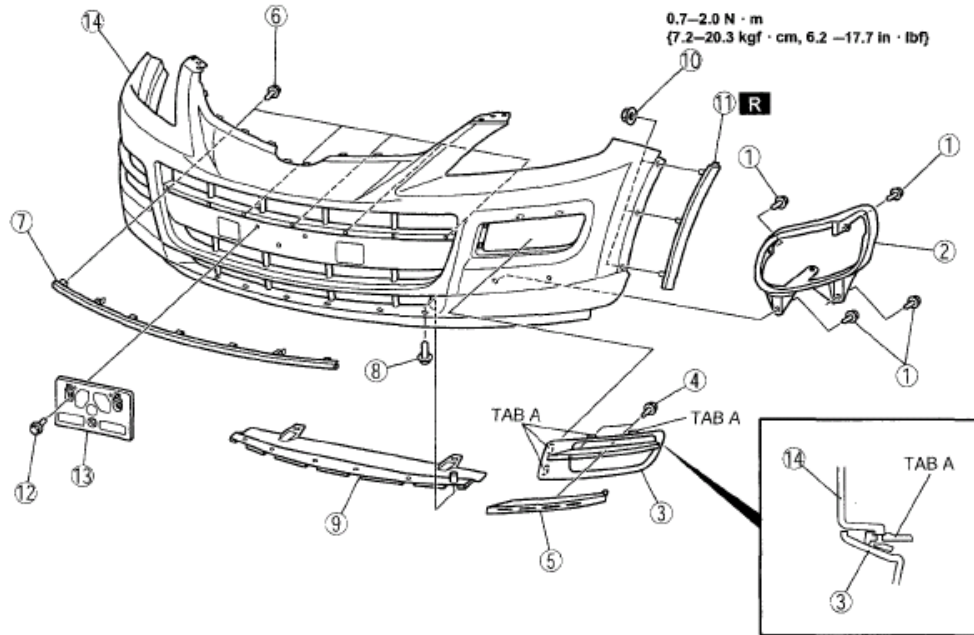
1. Spread the front bumper ends apart.
2. Assemble the front bumper to the body.
3. Press the front bumper connecting area into the body to engage with the bumper slider.

FRONT BUMPER DISASSEMBLY/ASSEMBLY

1. Remove the front fog light. (Vehicles with front fog lights) (See **FRONT FOG LIGHT REMOVAL/INSTALLATION** .)
2. Remove the radiator grille. (See **RADIATOR GRILLE REMOVAL/INSTALLATION** .)
3. Disassemble in the order indicated in the table.

2008 Mazda CX-9 Grand Touring

2008 ACCESSORIES & BODY, CAB Body Panels - Mazda CX-9



ac9uuw0000863

1	Screw A (Vehicles with front fog lights)
2	Front fog light bracket (Vehicles with front fog lights)
3	Front fog light hole cover
4	Screw B
5	Front fog light hole cover protector
6	Screw C
7	Front bumper protector
8	Screw D

9	Under cover
10	Nut
11	Front over fender lower (See 09-10-8 Front Over Fender Lower Assembly Note.)
12	Screw E
13	Licence plate holder
14	Front bumper fascia

Fig. 13: Identifying Front Bumper Components & Torque Specifications
 Courtesy of MAZDA MOTORS CORP.

4. Assemble in the reverse order of disassembly.