

2008 ACCESSORIES & BODY, CAB

Body Panels - Mazda CX-9

REAR BUMPER REINFORCEMENT REMOVAL/INSTALLATION

1. Disconnect the negative battery cable.
2. Remove the rear combination light. (See REAR COMBINATION LIGHT REMOVAL/INSTALLATION .)
3. Remove the rear bumper. (See REAR BUMPER REMOVAL/INSTALLATION.)
4. Remove the fasteners, then remove the energy-absorbing foam.
5. Remove the bolts and nuts, then remove the rear bumper reinforcement.
6. Install in the reverse order of removal.

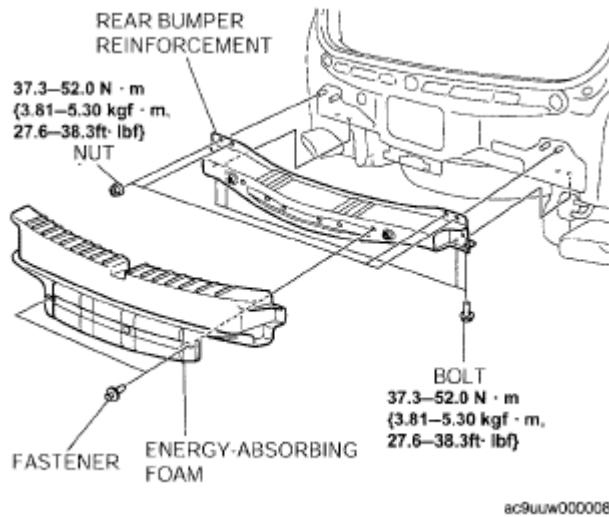
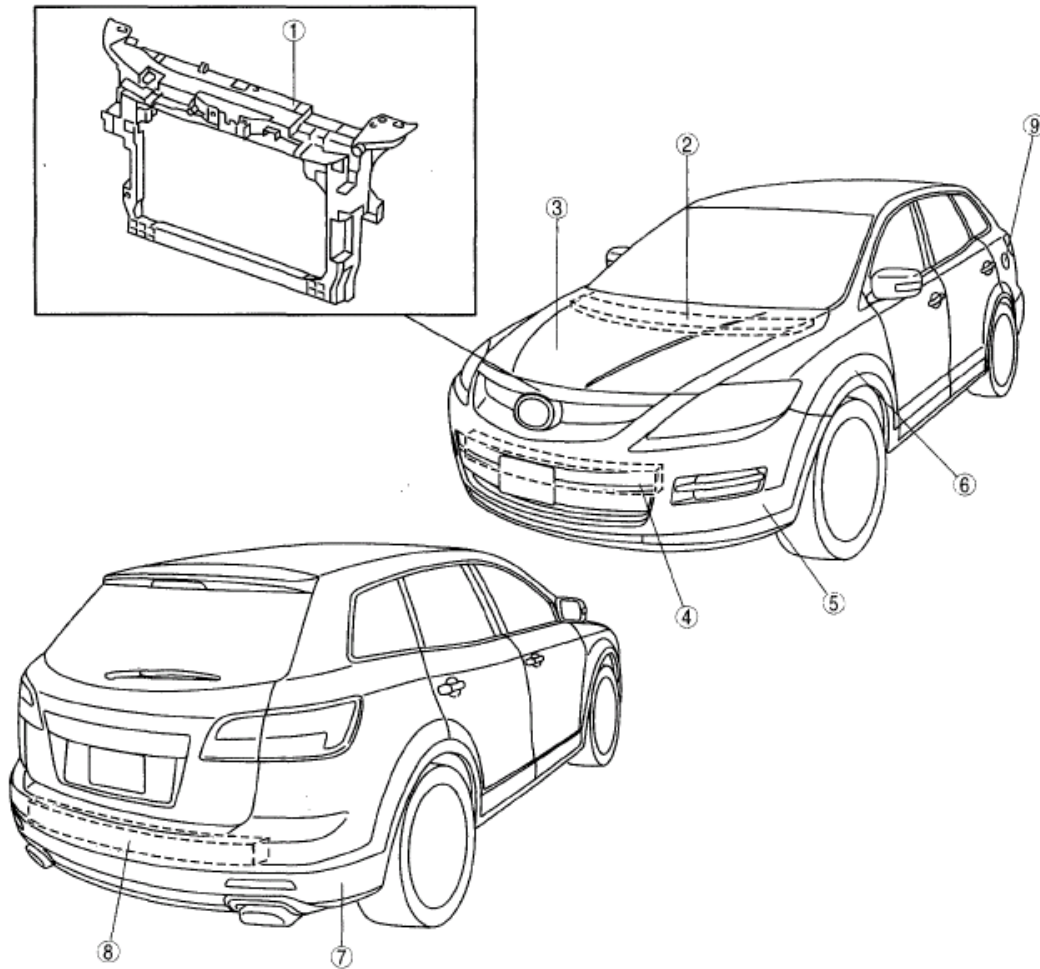


Fig. 1: Identifying Rear Bumper Reinforcement & Torque Specifications
Courtesy of MAZDA MOTORS CORP.

BODY PANELS LOCATION INDEX

2008 Mazda CX-9 Grand Touring

2008 ACCESSORIES & BODY, CAB Body Panels - Mazda CX-9



ac9tutw00000643

1	Shroud panel (See 09-10-12 SHROUD PANEL REMOVAL/ INSTALLATION.)
2	Cowl panel (See 09-10-13 COWL PANEL REMOVAL/ INSTALLATION.)
3	Hood (See 09-10-3 HOOD REMOVAL/INSTALLATION.) (See 09-10-4 HOOD ADJUSTMENT.)
4	Front bumper reinforcement (See 09-10-9 FRONT BUMPER REINFORCEMENT REMOVAL/INSTALLATION)
5	Front bumper (See 09-10-6 FRONT BUMPER REMOVAL/ INSTALLATION.) (See 09-10-8 FRONT BUMPER DISASSEMBLY/ ASSEMBLY.)

6	Front fender panel (See 09-10-12 FRONT FENDER PANEL REMOVAL/INSTALLATION.)
7	Rear bumper (See 09-10-9 REAR BUMPER REMOVAL/ INSTALLATION.) (See 09-10-11 REAR BUMPER DISASSEMBLY/ ASSEMBLY.)
8	Rear bumper reinforcement (See 09-10-1 REAR BUMPER REINFORCEMENT REMOVAL/INSTALLATION.)
9	Fuel-filler lid (See 09-10-6 FUEL-FILLER LID REMOVAL/ INSTALLATION.) (See 09-10-6 FUEL-FILLER LID ADJUSTMENT.)

Fig. 2: Identifying Body Panels Location
Courtesy of MAZDA MOTORS CORP.

HOOD REMOVAL/INSTALLATION

WARNING:

- Removing the hood without supporting it could cause the hood to

2008 Mazda CX-9 Grand Touring

2008 ACCESSORIES & BODY, CAB Body Panels - Mazda CX-9

fall and cause serious injury. Always perform the procedure with at least another person to prevent the hood from falling.

1. Disconnect the negative battery cable.
2. To remove the hood hinges, remove the following parts:
 1. Windshield wiper arm and blade (See **WINDSHIELD WIPER ARM AND BLADE REMOVAL/INSTALLATION**)
 2. Side cowl grille (See **COWL GRILLE REMOVAL/INSTALLATION**)
3. Remove in the order indicated in the table.

1	Hood insulator
2	Shroud seal weatherstrip
3	Parting seal weatherstrip
4	Hood
5	Hood hinge
6	Hood stay

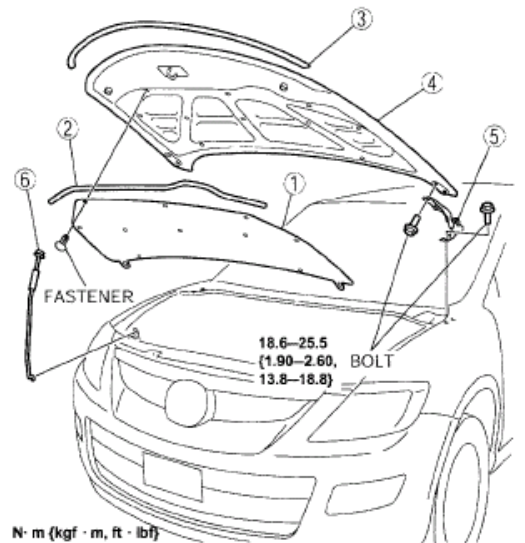


Fig. 3: Identifying Hood Removing Components & Torque Specifications
Courtesy of MAZDA MOTORS CORP.

4. Install in the reverse order of removal.
5. Adjust the hood. (See **HOOD ADJUSTMENT**.)

HOOD ADJUSTMENT

GAP ADJUSTMENT

1. Measure the gap between the hood and body.

2008 Mazda CX-9 Grand Touring

2008 ACCESSORIES & BODY, CAB Body Panels - Mazda CX-9

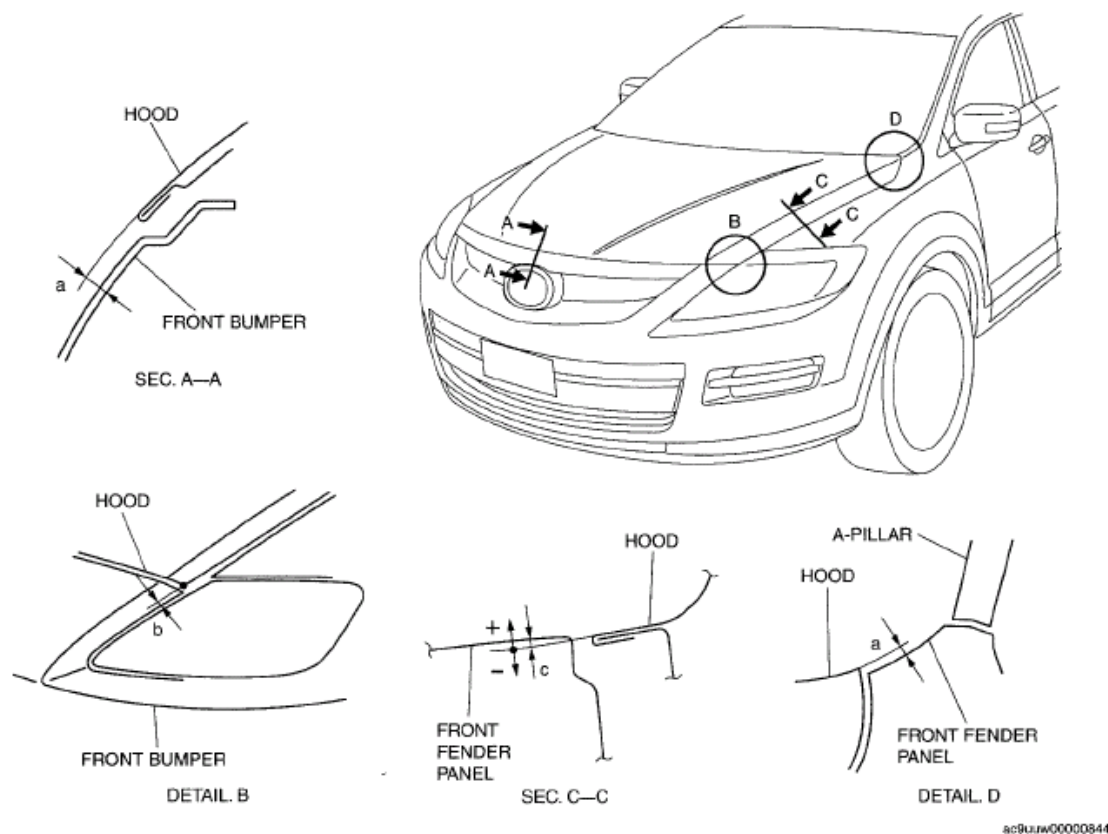


Fig. 4: Measuring Gap Between Hood And Body
Courtesy of MAZDA MOTORS CORP.

Standard clearance

a: -1.5-1.5 mm {-0.05-0.05 in}

b: 0.73-4.33 mm {0.03-0.17 in}

c: -1.2-1.2 mm {-0.04-0.04 in}

2. Disconnect the negative battery cable.
3. Remove the following parts:
 1. Windshield wiper arm and blade (See **WINDSHIELD WIPER ARM AND BLADE REMOVAL/INSTALLATION**)
 2. Cowl grille (See **COWL GRILLE REMOVAL/INSTALLATION**)
4. Loosen the hood hinge installation bolts and adjust the hood.
5. Tighten the bolts.

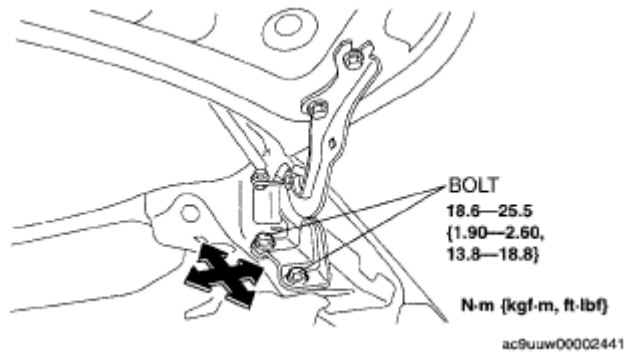


Fig. 5: Identifying Hood Hinge Bolts & Torque Specifications
Courtesy of MAZDA MOTORS CORP.

HEIGHT ADJUSTMENT

1. Measure the height difference between the hood and body.

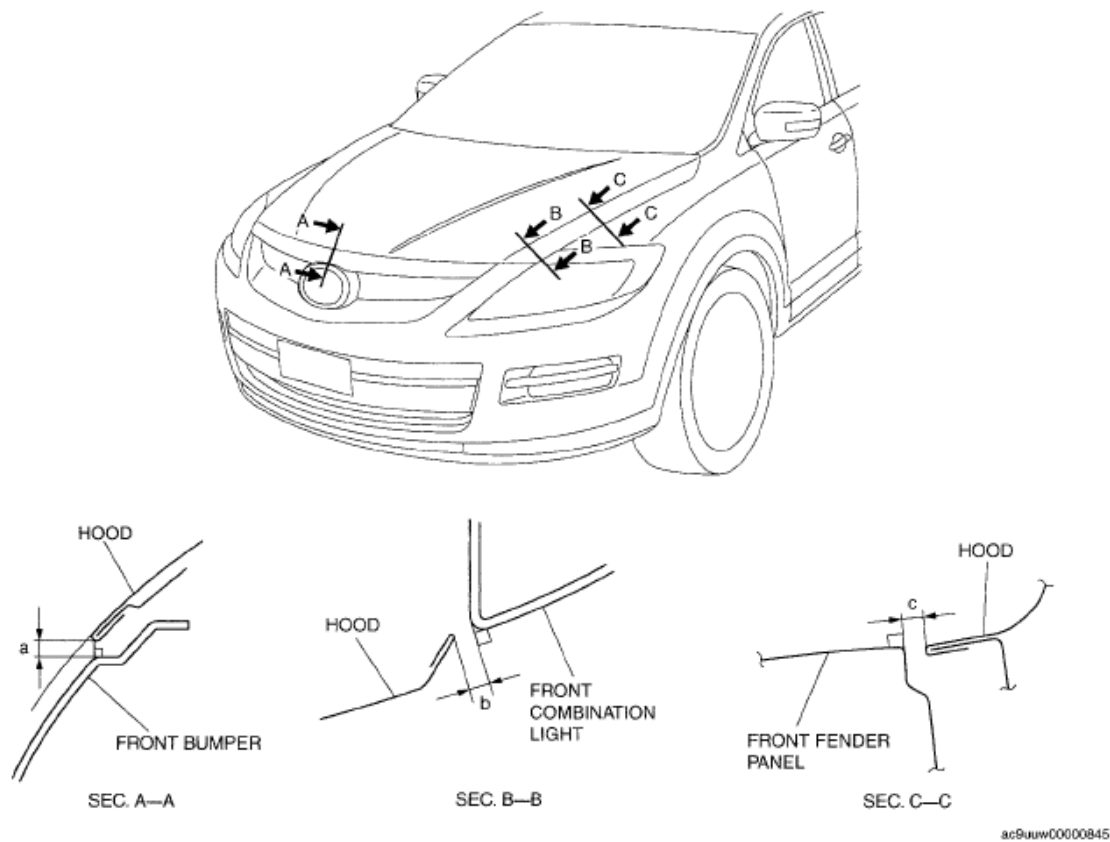


Fig. 6: Measuring Height Difference Between Hood And Body
Courtesy of MAZDA MOTORS CORP.

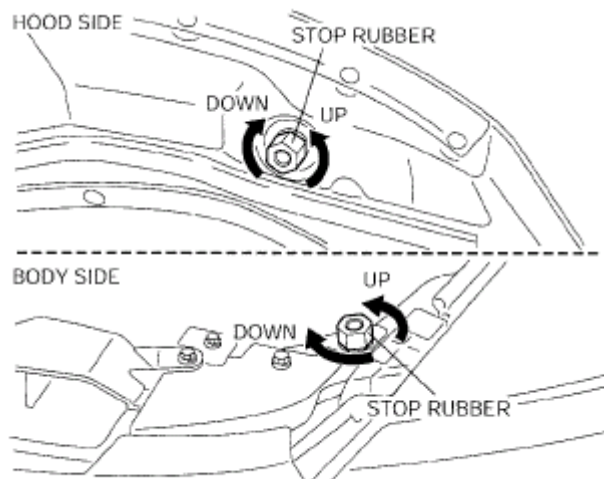
Clearance

a: 3.0-6.0 mm {0.11-0.23 in}

b: 2.0-5.0 mm {0.07-0.19 in}

c: 2.8-5.2 mm {0.11-0.20 in}

2. Turn the stop rubber to adjust.

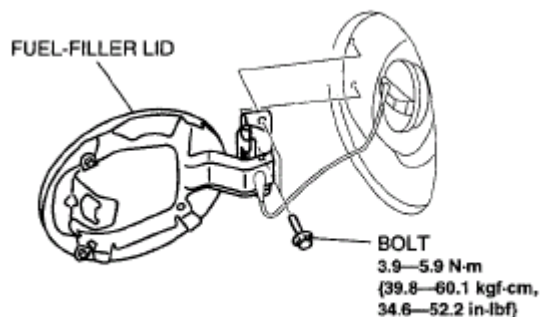


ac9uuw00000846

Fig. 7: Turning Stop Rubber To Adjust
Courtesy of MAZDA MOTORS CORP.

FUEL-FILLER LID REMOVAL/INSTALLATION

1. Remove the bolts.
2. Remove the fuel-filler lid
3. Install in the reverse order of removal.
4. Adjust the fuel-filler lid. (See **FUEL-FILLER LID ADJUSTMENT**.)



ac9uuw00000838

Fig. 8: Identifying Fuel-Filler Lid & Torque Specifications
Courtesy of MAZDA MOTORS CORP.

FUEL-FILLER LID ADJUSTMENT

1. Measure the gap and height difference between the fuel-filler lid and the body.
2. Loosen the fuel-filler lid installation bolts and adjust the fuel-filler lid.

Clearance

a: 1.7-3.7 mm {0.07-0.14 in}

b:-0.5-1.5 mm {-0.01-0.05 in}

3. Tighten the bolts.

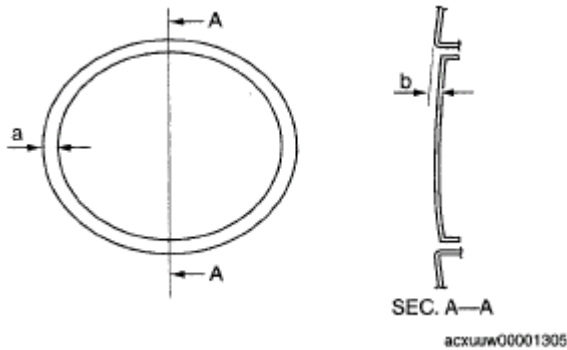


Fig. 9: Measuring Gap And Height Difference Between Fuel-Filler Lid And Body
Courtesy of MAZDA MOTORS CORP.

FRONT BUMPER REMOVAL/INSTALLATION

1. Disconnect the negative battery cable.
2. Remove the clip of the front over fender and put aside the front bumper.

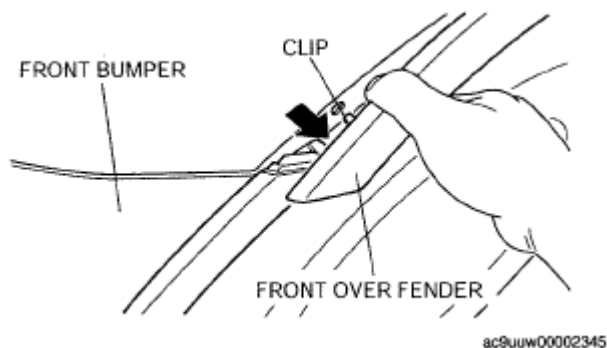


Fig. 10: Removing Clip Of Front Over Fender
Courtesy of MAZDA MOTORS CORP.

3. Remove in the order indicated in the table.

2008 Mazda CX-9 Grand Touring

2008 ACCESSORIES & BODY, CAB Body Panels - Mazda CX-9

1	Screw A
2	Bolt
3	Fastener A
4	Fastener B
5	Screw B
6	Front bumper (See 09-10-7 Front Bumper Removal Note) (See 09-10-7 Front Bumper Installation Note)

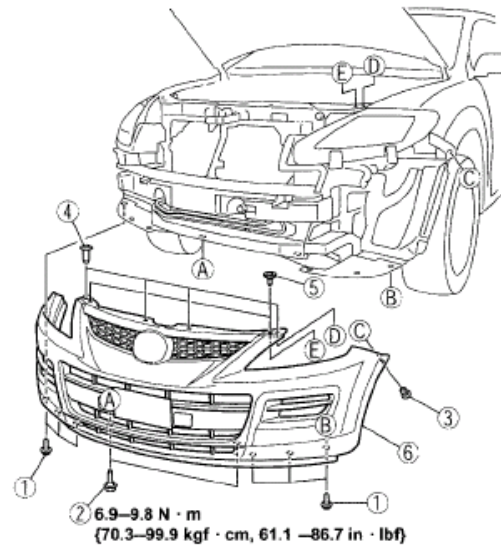


Fig. 11: Identifying Removing Sequence Of Front Bumper Components & Torque Specifications
Courtesy of MAZDA MOTORS CORP.

4. Disconnect the front fog light connector. (Vehicles with front fog lights)
5. Install in the reverse order of removal.
6. Adjust the front fog light aiming for vehicles with front fog lights. (See **FRONT FOG LIGHT AIMING** .)

FRONT BUMPER REMOVAL NOTE

1. Pull the front bumper ends (wheel arch) outward (1) to disengage from the bumper slider.

CAUTION:

- When disengaging the front bumper from the bumper slider, the front bumper could fall and be damaged. Secure the front bumper so that it does not fall.

2. Remove the front bumper from the body.

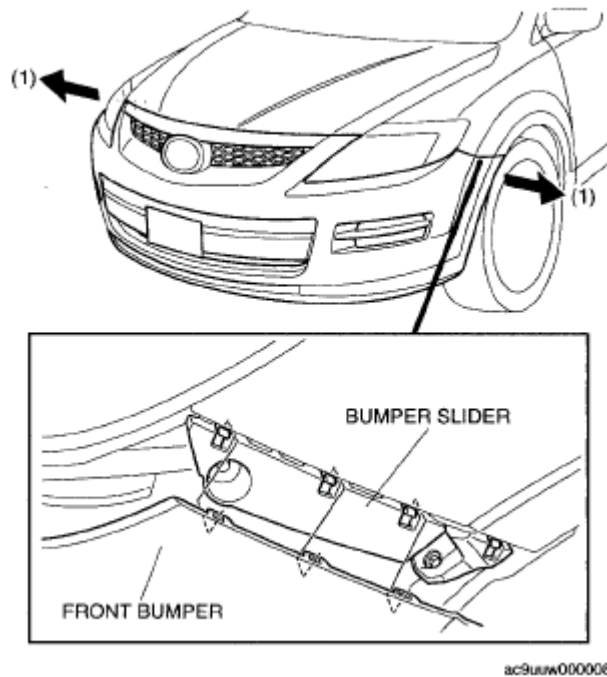


Fig. 12: Identifying Front Bumper Ends
Courtesy of MAZDA MOTORS CORP.

FRONT BUMPER INSTALLATION NOTE

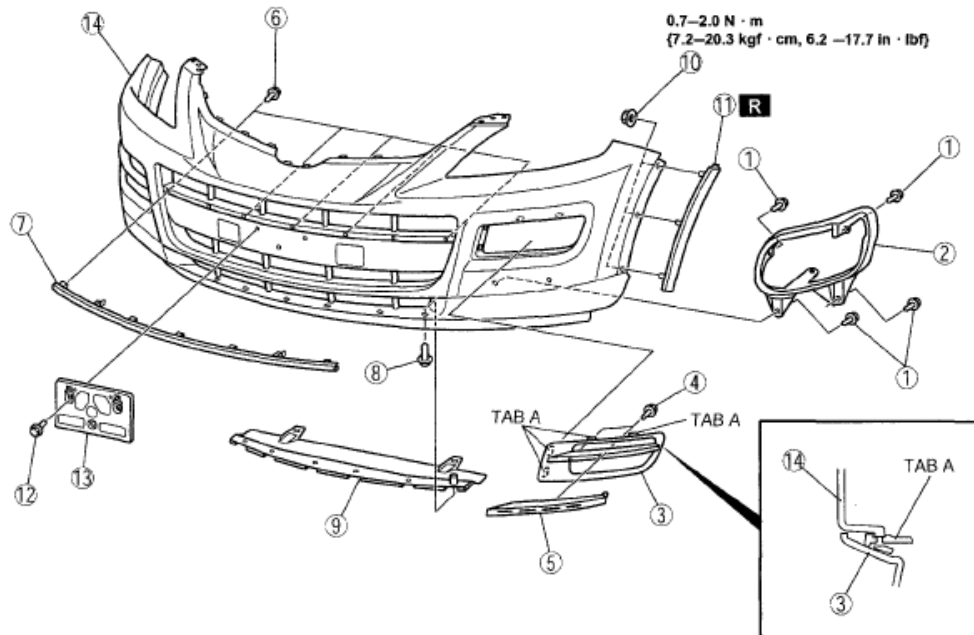
1. Spread the front bumper ends apart.
2. Assemble the front bumper to the body.
3. Press the front bumper connecting area into the body to engage with the bumper slider.

FRONT BUMPER DISASSEMBLY/ASSEMBLY

1. Remove the front fog light. (Vehicles with front fog lights) (See **FRONT FOG LIGHT REMOVAL/INSTALLATION** .)
2. Remove the radiator grille. (See **RADIATOR GRILLE REMOVAL/INSTALLATION** .)
3. Disassemble in the order indicated in the table.

2008 Mazda CX-9 Grand Touring

2008 ACCESSORIES & BODY, CAB Body Panels - Mazda CX-9



ac9uuw0000863

1	Screw A (Vehicles with front fog lights)
2	Front fog light bracket (Vehicles with front fog lights)
3	Front fog light hole cover
4	Screw B
5	Front fog light hole cover protector
6	Screw C
7	Front bumper protector
8	Screw D

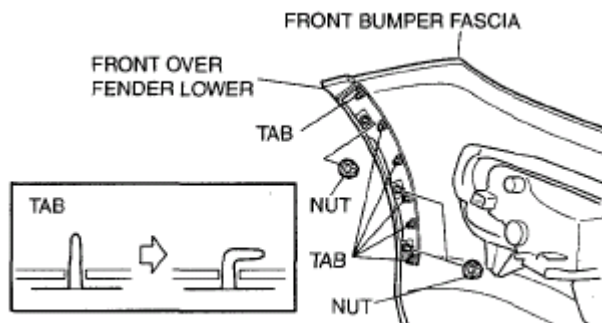
9	Under cover
10	Nut
11	Front over fender lower (See 09-10-8 Front Over Fender Lower Assembly Note.)
12	Screw E
13	Licence plate holder
14	Front bumper fascia

Fig. 13: Identifying Front Bumper Components & Torque Specifications
 Courtesy of MAZDA MOTORS CORP.

4. Assemble in the reverse order of disassembly.

FRONT OVER FENDER LOWER ASSEMBLY NOTE

1. Attach the front over fender lower to the front bumper fascia with nuts.
2. Use a soldering copper and thermally deform the tab in order to fasten the stiffening rib.



ac9uuw0000837

Fig. 14: Identifying Front Over Fender Lower And Front Bumper Fascia With Nuts
 Courtesy of MAZDA MOTORS CORP.

FRONT BUMPER REINFORCEMENT REMOVAL/INSTALLATION

1. Disconnect the negative battery cable.
2. Remove the front bumper. (See **FRONT BUMPER REMOVAL/INSTALLATION**.)
3. Remove in the order indicated in the table.
4. Install in the reverse order of removal.

1	Fastener A
2	Front energy-absorbing foam
3	Fastener B
4	Seal plate
5	Bolt A
6	Bolt B
7	Front bumper reinforcement

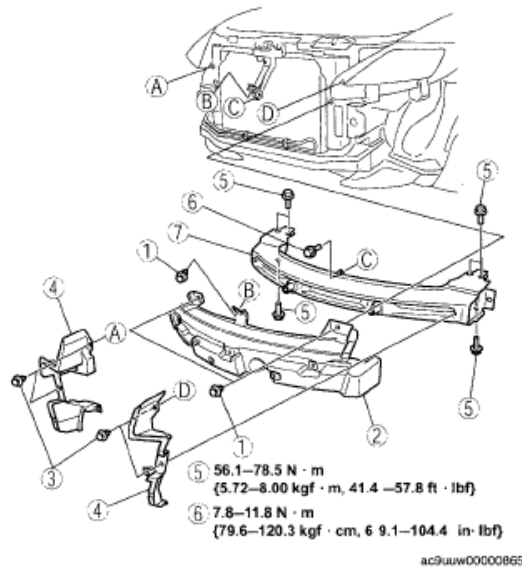


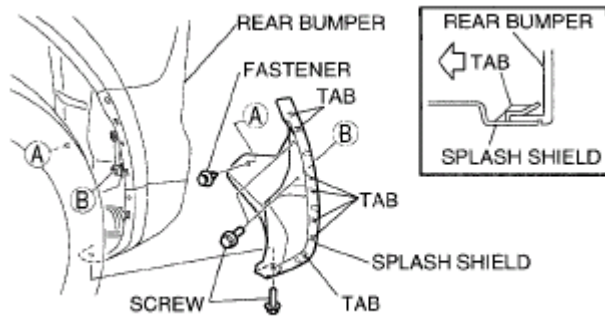
Fig. 15: Identifying Removing Sequence Of Front Bumper Reinforcement Components & Torque Specifications
 Courtesy of MAZDA MOTORS CORP.

REAR BUMPER REMOVAL/INSTALLATION

1. Disconnect the negative battery cable.
2. Remove the rear combination light. (See **REAR COMBINATION LIGHT REMOVAL/INSTALLATION**.)
3. Remove the screw and fastener.
4. Detach the tab of the splash shield to remove it.

2008 Mazda CX-9 Grand Touring

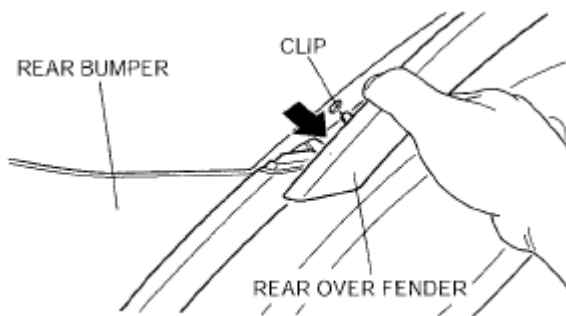
2008 ACCESSORIES & BODY, CAB Body Panels - Mazda CX-9



ac9uuw0000866

Fig. 16: Identifying Rear Bumper And Splash Shield With Tabs
 Courtesy of MAZDA MOTORS CORP.

5. Remove the clip of the rear over fender and put aside the rear bumper.

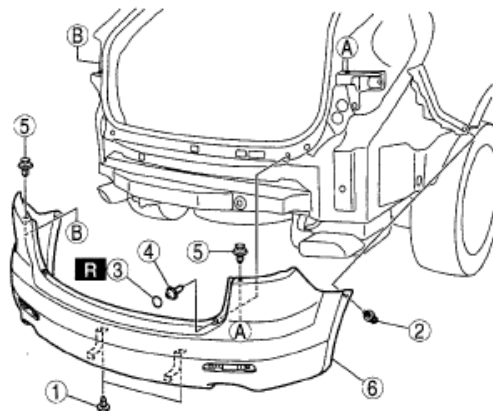


ac9uuw00002346

Fig. 17: Removing Clip Of Rear Over Fender
 Courtesy of MAZDA MOTORS CORP.

6. Remove in the order indicated in the table.
7. Install in the reverse order of removal.

1	Fastener A
2	Fastener B
3	Protector tape
4	Screw
5	Fastener C
6	Rear bumper (See 09-10-10 Rear Bumper Removal Note) (See 09-10-10 Rear Bumper Installation Note)



ac9uuw00002630

Fig. 18: Identifying Removing Sequence Of Rear Bumper Components
 Courtesy of MAZDA MOTORS CORP.

REAR BUMPER REMOVAL NOTE

1. Pull the rear bumper ends (wheel arch) outward (1) to disengage from the bumper slider.

CAUTION:

- When disengaging the rear bumper from the bumper slider, the rear bumper could fall and be damaged. Secure the rear bumper so that it does not fall.

2. Remove the rear bumper (2).

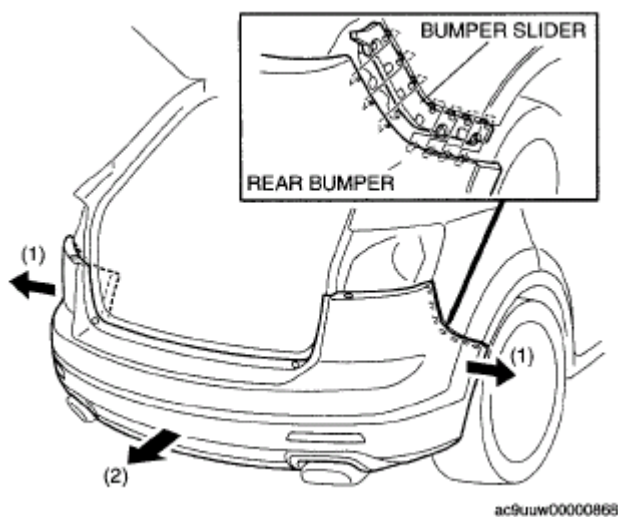


Fig. 19: Identifying Rear Bumper And Bumper Slider
Courtesy of MAZDA MOTORS CORP.

REAR BUMPER INSTALLATION NOTE

1. Spread the rear bumper ends apart.
2. Assemble the rear bumper to the body.
3. Press the rear bumper connecting area into the body to engage with the bumper slider.

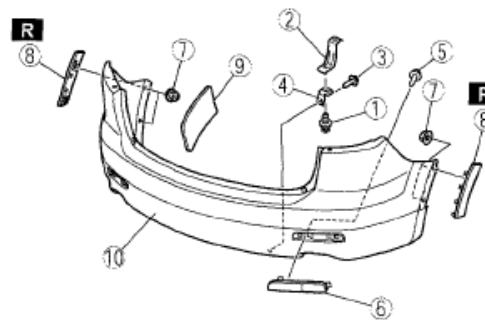
REAR BUMPER DISASSEMBLY/ASSEMBLY

1. Disassemble in the order indicated in the table.
2. Assemble in the reverse order of disassembly.

2008 Mazda CX-9 Grand Touring

2008 ACCESSORIES & BODY, CAB Body Panels - Mazda CX-9

1	Fastener A
2	Bracket A
3	Screw A
4	Bracket B
5	Screw B
6	Rear reflector (See 09-10-11 Reflector Removal Note)
7	Nut
8	Rear over fender lower (See 09-10-11 Rear Over Fender Lower Assembly Note)
9	Insulator
10	Rear bumper fascia



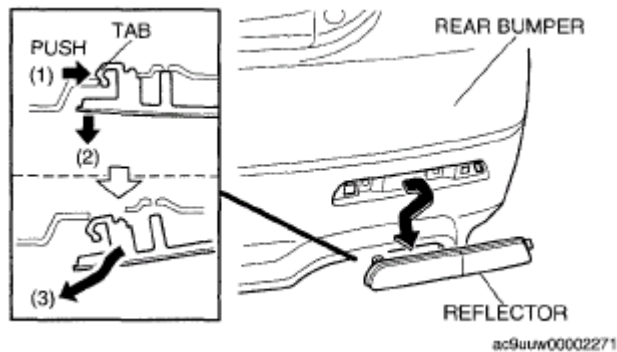
⑦ 0.7–2.0 N · m
(7.2–20.3 kgf · cm, 6.2–17.7 in · lbf)

ac9uuw0000869

Fig. 20: Identifying Rear Bumper Components & Torque Specifications
Courtesy of MAZDA MOTORS CORP.

REFLECTOR REMOVAL NOTE

1. Pull off the reflector from the rear bumper in the direction and in the order as shown by the arrows.



ac9uuw0002271

Fig. 21: Identifying Rear Bumper And Reflector
Courtesy of MAZDA MOTORS CORP.

REAR OVER FENDER LOWER ASSEMBLY NOTE

1. Attach the rear over fender lower to the rear bumper fascia with nuts.
2. Use a soldering copper and thermally deform the tab in order to fasten the stiffening rib.

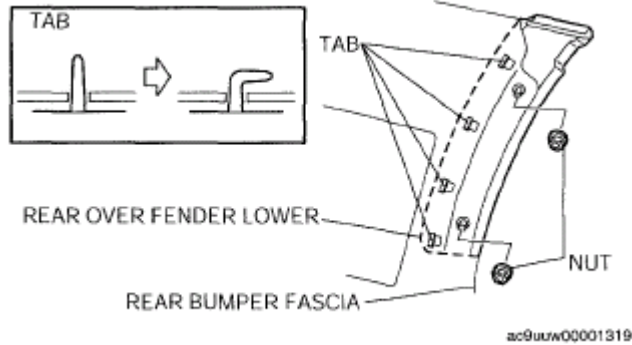


Fig. 22: Identifying Rear Over Fender Lower And Rear Bumper Fascia With Nuts
 Courtesy of MAZDA MOTORS CORP.

FRONT FENDER PANEL REMOVAL/INSTALLATION

1. Disconnect the negative battery cable.
2. Remove the following parts:
 1. Windshield wiper arm and blade (See **WINDSHIELD WIPER ARM AND BLADE REMOVAL/INSTALLATION**)
 2. Side cowl grille (See **COWL GRILLE REMOVAL/INSTALLATION**)
 3. Front over fender (See **OVER FENDER REMOVAL/INSTALLATION**)
 4. Front bumper (See **FRONT BUMPER REMOVAL/INSTALLATION**)
 5. Front combination lights (See **FRONT COMBINATION LIGHT REMOVAL/INSTALLATION**)
 6. Sail garnish (See **SAIL GARNISH REMOVAL/INSTALLATION**)'
3. Remove in the order indicated in the table.
4. Install in the reverse order of removal.

1	Screw
2	Front bumper retainer
3	Bolt A
4	Bolt B
5	Bolt C
6	Bolt D
7	Bolt E
8	Clip
9	Seal plate
10	Front fender panel

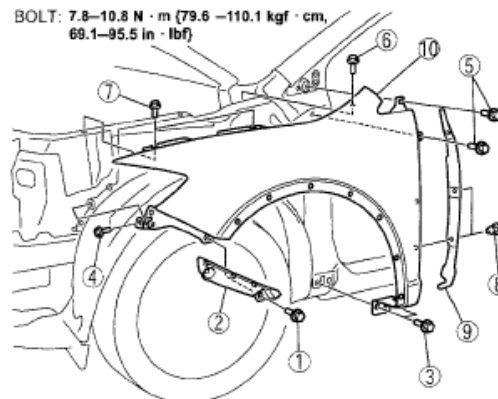
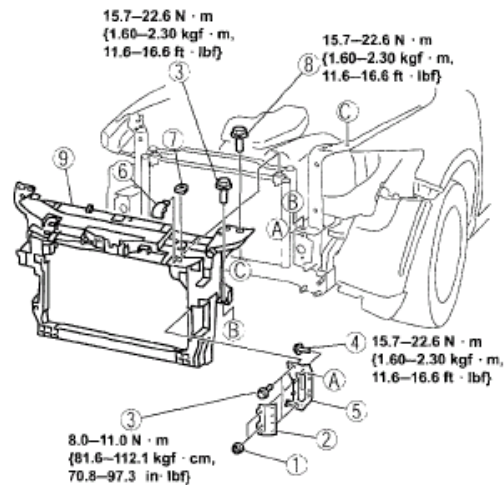


Fig. 23: Identifying Removing Sequence Of Front Fender Panel Components & Torque Specifications
 Courtesy of MAZDA MOTORS CORP.

SHROUD PANEL REMOVAL/INSTALLATION

1. Disconnect the negative battery cable.
2. Remove the following parts:
 1. Front bumper (See **FRONT BUMPER REMOVAL/INSTALLATION**)
 2. Front combination lights (See **FRONT COMBINATION LIGHT REMOVAL/INSTALLATION**)
 3. Front bumper reinforcement (See **FRONT BUMPER REINFORCEMENT REMOVAL/INSTALLATION**)
 4. Ambient temperature sensor (See **AMBIENT TEMPERATURE SENSOR REMOVAL/INSTALLATION**)
 5. Crash zone sensor (See **CRASH ZONE SENSOR REMOVAL/INSTALLATION**)
 6. Hood latch (See **HOOD LATCH AND RELEASE LEVER REMOVAL/INSTALLATION**)
3. Put the oil cooler aside.
4. Remove the front crossmember extension. (See **FRONT CROSSMEMBER REMOVAL/INSTALLATION** .)
5. Remove in the order indicated in the table.
6. Install in the reverse order of removal.

1	Nut
2	Bumper bracket A
3	Bolt A
4	Bolt B
5	Bumper bracket B
6	Upper mount rubber bracket (See 09-10-13 Upper Mount Rubber Bracket Removal Note)
7	Upper mount rubber
8	Bolt C
9	Shroud panel



ac9uuw0000876

Fig. 24: Identifying Removing Sequence Of Shroud Panel Components & Torque Specifications
 Courtesy of MAZDA MOTORS CORP.

UPPER MOUNT RUBBER BRACKET REMOVAL NOTE

1. Remove the upper mount rubber bracket while pressing down the upper mount rubber bracket tab in the direction of the arrow.

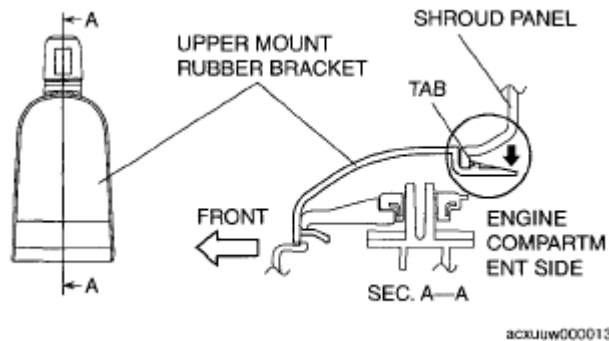


Fig. 25: Identifying Upper Mount Rubber Bracket
 Courtesy of MAZDA MOTORS CORP.

COWL PANEL REMOVAL/INSTALLATION

1. Disconnect the negative battery cable.
2. Remove the following parts:
 1. Windshield wiper arm and blade (See WINDSHIELD WIPER ARM AND BLADE REMOVAL/INSTALLATION)
 2. Cowl grille (See COWL GRILLE REMOVAL/INSTALLATION)
 3. Windshield wiper motor (See WINDSHIELD WIPER MOTOR REMOVAL/INSTALLATION)
3. Remove the bolts, then remove the cowl panel.
4. Install in the reverse order of removal.

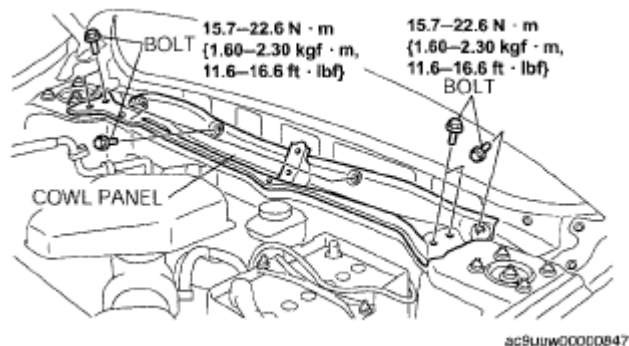


Fig. 26: Identifying Cowl Panel With Nuts, Bolts & Torque Specifications
 Courtesy of MAZDA MOTORS CORP.