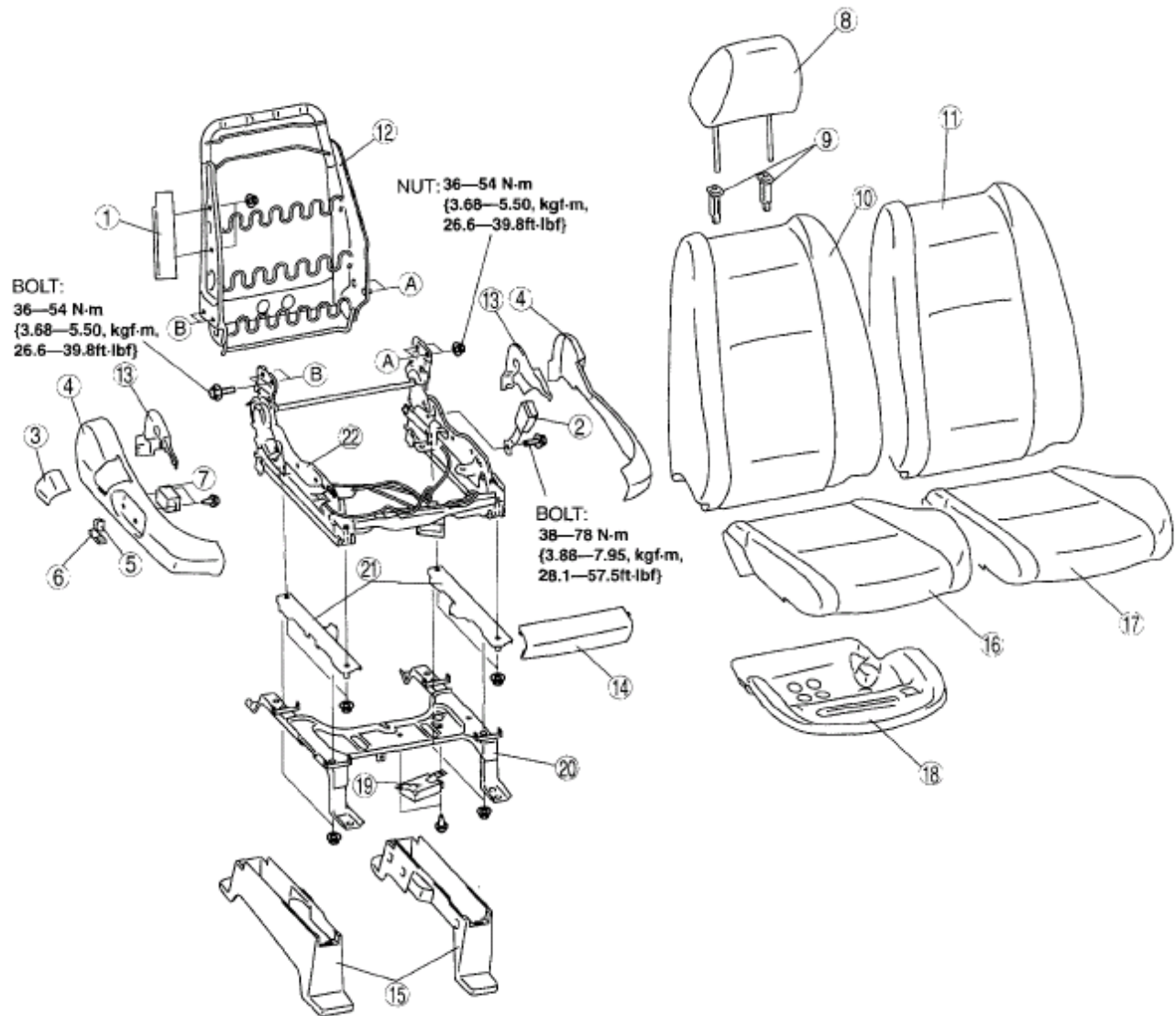


[Back To Article](#) | [< Previous Graphic](#) | [Next Graphic >](#)

[Logout](#) | [Help](#)

Full-Size Version - [Click Here](#) for Printer-Ready Version

Fig. 8: Exploded View Of Front Seat - Passenger Seat (Power Seat) & Torque Specifications
MAZDA MOTORS CORP.



806

1	Side air bag module (See SIDE AIR BAG MODULE REMOVAL/ INSTALLATION.)
2	Front buckle
3	Ancor cover
4	Side cover (See Side cover disassembly note.)
5	Recliner switch knob
6	Slider and lifter switch knob
7	Power seat switch
8	Headrest
9	Pole guide
10	Seat back trim

11	Seat back pad (See Side cover disassembly note.)
12	Seat back frame
13	Reverse cover
14	Front cover
15	Seat under braket cover
16	Seat cushion trim
17	Seat cushion pad
18	Seat cushion frame
19	Seat weight sensor control module
20	Seat under braket
21	Seat weight sensor
22	Slide adjuster

Copyright 2020 Mitchell Repair Information Company, LLC. All Rights Reserved.

[Back To Article](#) | [< Previous Graphic](#) | [Next Graphic >](#)

Illustration: 05509399