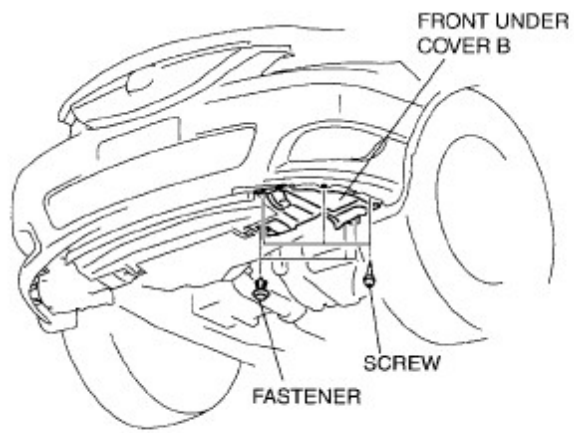


**Fig. 22: Identifying Front Under Cover B With Screws And Bolts  
MAZDA MOTORS CORP.**



ac9uuw00000623