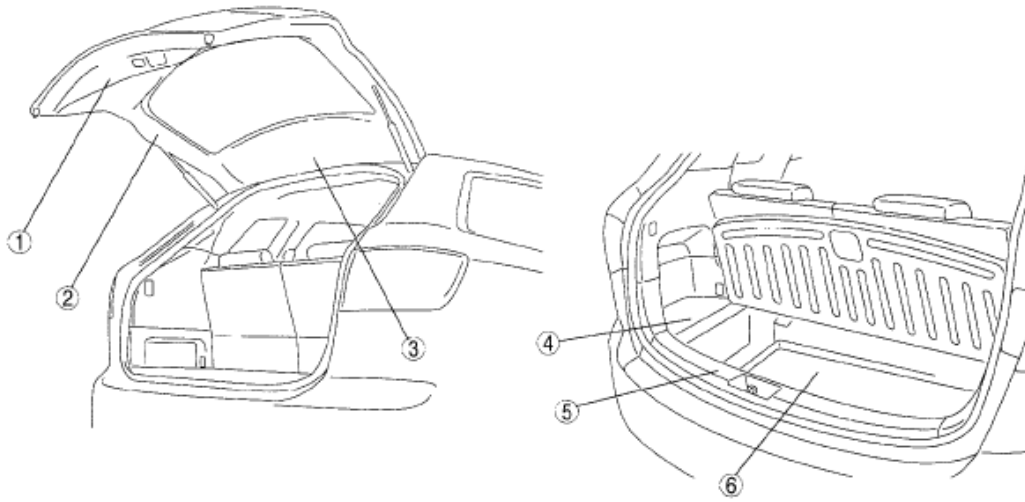


**Fig. 3: Identifying Interior Trim Location (3 Of 3)**  
**MAZDA MOTORS CORP.**



1	Liftgate lower trim (See LIFTGATE LOWER TRIM REMOVAL/INSTALLATION.)
2	Liftgate side trim (See LIFTGATE SIDE TRIM REMOVAL/ INSTALLATION.)
3	Liftgate upper trim (See LIFTGATE UPPER TRIM REMOVAL/ INSTALLATION.)

4	Seat side box (See SEAT SIDE BOX REMOVAL/ INSTALLATION.)
5	Trunk end trim (See TRUNK END TRIM REMOVAL/ INSTALLATION.)
6	Trunk box (See TRUNK BOX REMOVAL/ INSTALLATION.)