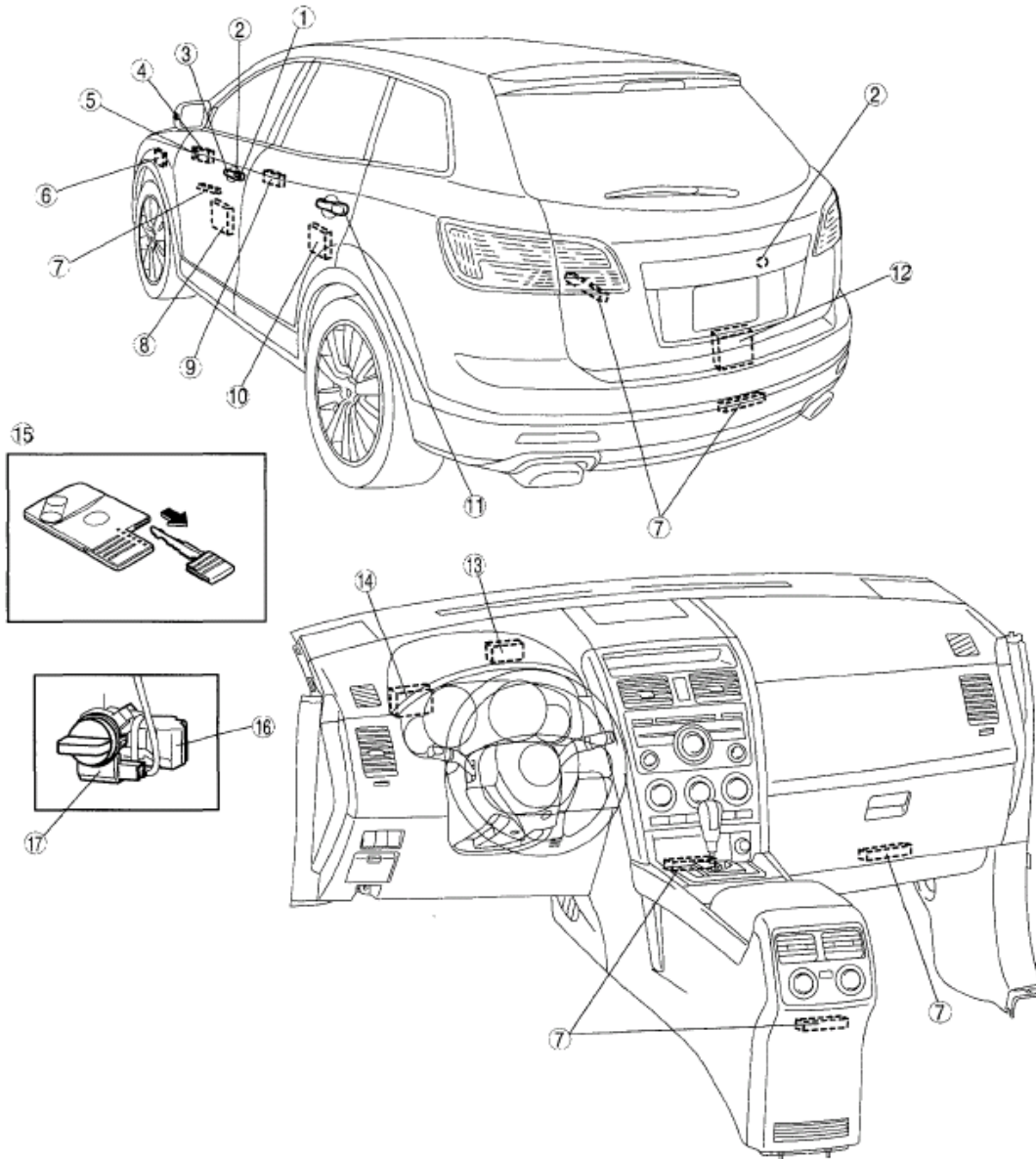


# 2008 Mazda CX-9 Grand Touring

2008 BODY & ACCESSORIES Security and Locks - Mazda CX-9



ac9uuw00000861

**Fig. 2: Identifying Advanced Keyless System Locks Location (1 Of 2)**  
Courtesy of MAZDA MOTORS CORP.

## 2008 Mazda CX-9 Grand Touring

### 2008 BODY & ACCESSORIES Security and Locks - Mazda CX-9

1	Front door key cylinder (See 09-14-10 FRONT DOOR KEY CYLINDER REMOVAL/INSTALLATION.) (See 09-14-11 FRONT DOOR KEY CYLINDER SWITCH INSPECTION.)	10	Rear door latch and lock actuator (See 09-14-14 REAR DOOR LATCH AND LOCK ACTUATOR REMOVAL/INSTALLATION.) (See 09-14-14 REAR DOOR LATCH AND LOCK ACTUATOR INSPECTION.) (See 09-14-15 REAR DOOR LOCK ACTUATOR INSPECTION.) (See 09-14-13 DOOR LOCK-LINK SWITCH INSPECTION.)
2	Request switch (See 09-14-34 REQUEST SWITCH REMOVAL/INSTALLATION [ADVANCED KEYLESS SYSTEM].) (See 09-14-34 REQUEST SWITCH INSPECTION [ADVANCED KEYLESS SYSTEM].)	11	Rear outer handle (See 09-14-8 REAR OUTER HANDLE REMOVAL/INSTALLATION.)
3	Front outer handle (See 09-14-7 FRONT OUTER HANDLE REMOVAL/INSTALLATION.)	12	Liftgate latch and lock actuator (See 09-14-15 LIFTGATE LATCH AND LOCK ACTUATOR REMOVAL/INSTALLATION.) (See 09-14-16 LIFTGATE LATCH AND LOCK ACTUATOR INSPECTION.)
4	Front inner handle (See 09-14-8 INNER HANDLE REMOVAL/INSTALLATION.)	13	Keyless control module (See 09-14-21 KEYLESS CONTROL MODULE REMOVAL/INSTALLATION [ADVANCED KEYLESS SYSTEM].) (See 09-14-22 KEYLESS CONTROL MODULE INSPECTION [ADVANCED KEYLESS SYSTEM].) (See 09-14-24 KEYLESS CONTROL MODULE CONFIGURATION [ADVANCED KEYLESS SYSTEM].) (See 09-14-29 CUSTOMIZED FUNCTION SETTING PROCEDURE [ADVANCED KEYLESS SYSTEM].)
5	Door lock switch (See 09-14-12 DOOR LOCK SWITCH REMOVAL/INSTALLATION.) (See 09-14-12 DOOR LOCK SWITCH INSPECTION.)	14	Keyless receiver (See 09-14-30 KEYLESS RECEIVER REMOVAL/INSTALLATION.) (See 09-14-30 KEYLESS RECEIVER INSPECTION [ADVANCED KEYLESS SYSTEM].)
6	Keyless beeper (See 09-14-33 KEYLESS BEEPER REMOVAL/INSTALLATION [ADVANCED KEYLESS SYSTEM].)	15	Card key (See 09-14-35 CARD KEY BATTERY REPLACEMENT [ADVANCED KEYLESS SYSTEM].) (See 09-14-27 CARD KEY ID CODE REGISTRATION [ADVANCED KEYLESS SYSTEM].) (See 09-14-28 CLEARING CARD KEY [ADVANCED KEYLESS SYSTEM].)
7	Keyless antenna (See 09-14-31 KEYLESS ANTENNA REMOVAL/INSTALLATION [ADVANCED KEYLESS SYSTEM].)	16	Steering lock unit (See 09-14-29 STEERING LOCK UNIT ID CODE REGISTRATION [ADVANCED KEYLESS SYSTEM].)
8	Front door latch and lock actuator (See 09-14-11 FRONT DOOR LATCH AND LOCK ACTUATOR REMOVAL/INSTALLATION.) (See 09-14-12 FRONT DOOR LATCH AND LOCK ACTUATOR INSPECTION.) (See 09-14-13 FRONT DOOR LOCK ACTUATOR INSPECTION.) (See 09-14-13 DOOR LOCK-LINK SWITCH INSPECTION.) (See 09-14-11 FRONT DOOR KEY CYLINDER SWITCH INSPECTION.)	17	Coil antenna (See 09-14-36 COIL ANTENNA REMOVAL/INSTALLATION [ADVANCED KEYLESS SYSTEM].)
9	Rear inner handle (See 09-14-8 INNER HANDLE REMOVAL/INSTALLATION.)		

**Fig. 3: Identifying Advanced Keyless System Locks Location (2 Of 2)**

Courtesy of MAZDA MOTORS CORP.