

MONITOR WITH DVD RECEIVER

DDX9907XR

DDX9707S

MONITOR WITH RECEIVER

DMX957XR

DMX907S

DMX9707S

INSTRUCTION MANUAL

JVCKENWOOD Corporation

- Updated information (the latest Instruction Manual, system updates, new functions, etc.) is available from
<<https://www.kenwood.com/cs/ce/>>.
- The Instruction manual is subject to change for modification of specifications and so forth. Be sure to download the latest edition of the Instruction manual for reference.
<<https://manual.kenwood.com/edition/im404/>>

Take the time to read through this instruction manual.

Familiarity with installation and operation procedures will help you obtain the best performance from your new receiver.

For your records

Record the serial number, found on the top of the unit, in the spaces designated on the warranty card, and in the space provided below. Refer to the model and serial numbers whenever you call upon your KENWOOD dealer for information or service on the product.

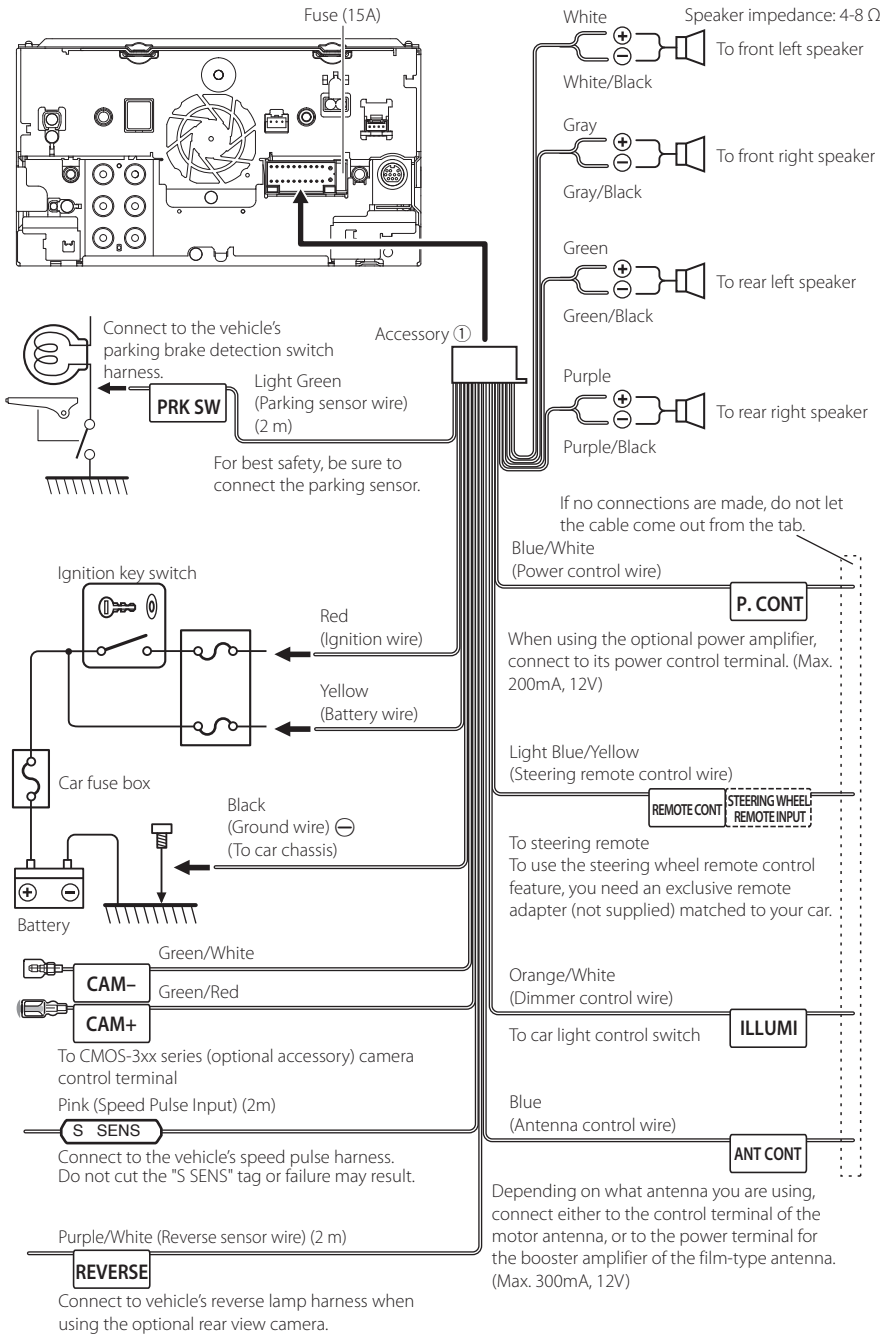
Model DDX9907XR / DDX9707S / DMX957XR / DMX907S / DMX9707S Serial number _____

US Residence Only

Register Online

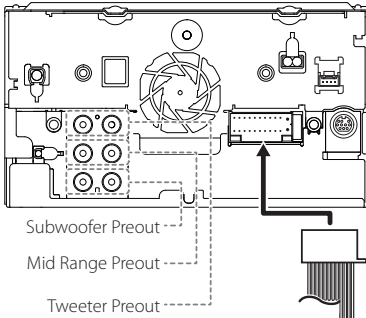
Register your KENWOOD product at www.kenwood.com/usa/

Connecting wires to terminals

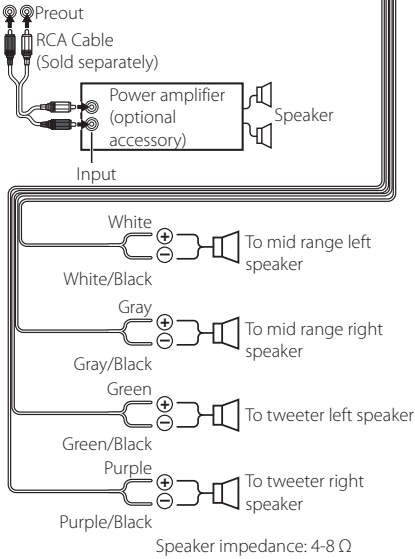


3-way speaker system setup

● DDX9907XR / DMX957XR / DMX907S



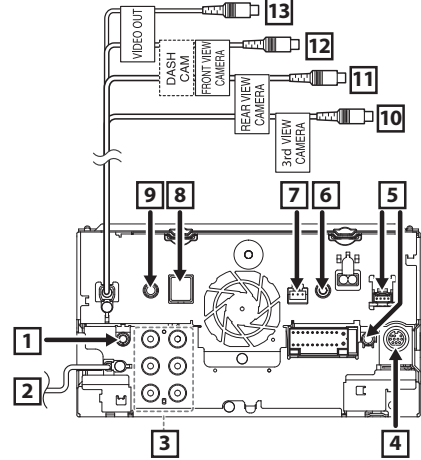
When connecting to an external amplifier, connect its ground wire to the car's chassis to avoid damaging the unit.



NOTE

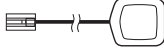
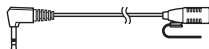
- For speaker system setup, see **3-way speaker system setup (P.87)**.
- For speaker setup and crossover setup, see **Speaker / X'over setup (P.88)**.
- For how to connect speaker wires to terminals other than speaker terminals and Preout terminals, see **Connecting the system and external components (P.105)** and **Connecting wires to terminals (P.104)**.

Connecting the system and external components



1	AV Audio output (ø3.5 mini jack)
2	FM/AM antenna input
3	When connecting to an external amplifier, connect its ground wire to the car's chassis to avoid damaging the unit.
4	SiriusXM Connect Vehicle Tuner connector For more information on how to install the SiriusXM Connect Vehicle tuner, consult the installation guide included with the tuner.
5	iDataLink connector
6	This jack accepts either AV-IN or camera input. For more information, see To set up the camera assignment settings (P.77) . DDX9907XR / DMX957XR / DMX907S : Accessory : Mini plug to RCA cable*1
	or CA-C3AV (optional accessory) DDX9707S / DMX9707S : CA-C3AV (optional accessory)

Connection/Installation

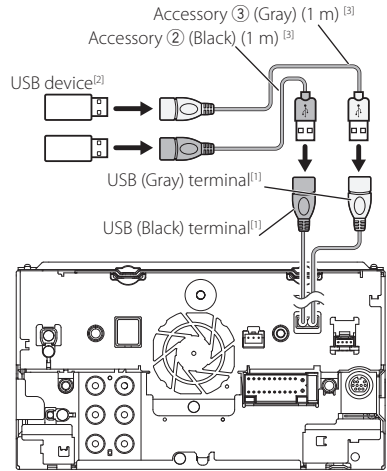
7	Dashboard camera interface Connect a Dashboard Camera DRV-N520 (optional accessory). (P.108)
8	Accessory ⑨: GPS Antenna Use the supplied GPS antenna. Using the GPS antenna other than the supplied one may cause a drop in positioning accuracy. 
9	Accessory ④: Bluetooth Microphone 
10	3rd view camera input (Yellow). See To set up the camera assignment settings (P.77) .
11	Rear view camera input (Yellow) *2
12	Front view camera/Dashboard camera input (Yellow). See To set up the camera assignment settings (P.77) . *3
13	VIDEO Output (Yellow)

*1 Connecting Mini plug to RCA cable to AV-IN terminal enables you to use cameras only. If you connect CA-C3AV (optional accessory), AV-IN (for visual) or the camera is available.

*2 Connect an HD camera to Rear view camera input terminal to use HD video. (DDX9907XR / DMX957XR only)

*3 Connect an HD camera to Front view camera/Dashboard camera input terminal to use HD video. (DDX9907XR / DMX957XR only)

Connecting a USB device



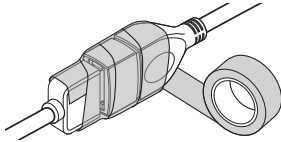
^[1] USB maximum power supply current :DC 5 V
1.5 A

^[2] Sold separately

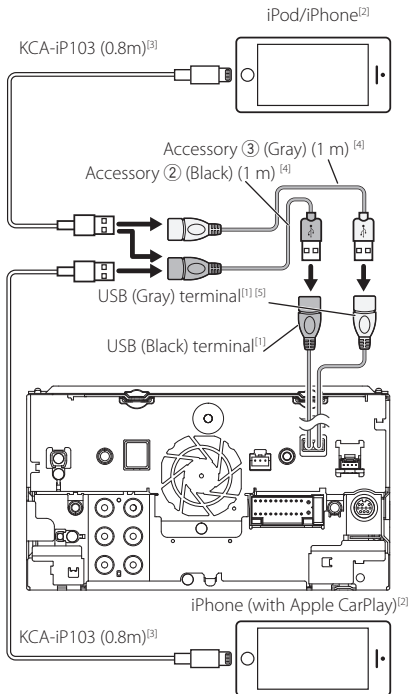
^[3] See **Securing the USB extension cable (P.107)**.

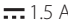
Securing the USB extension cable

Secure the USB extension cable with insulating tape or the like so that its connectors are not disconnected.



Connecting an iPod/iPhone



^[1] USB maximum power supply current :DC 5 V
 1.5 A

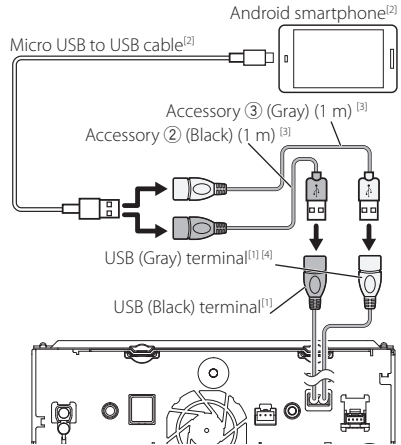
^[2] Sold separately


^[3] Optional accessory

^[4] See **Securing the USB extension cable (P.107)**.

^[5] USB (Gray) terminal does not support USB Mirroring.

Connecting an Android smartphone



^[1] USB maximum power supply current :DC 5 V
 1.5 A

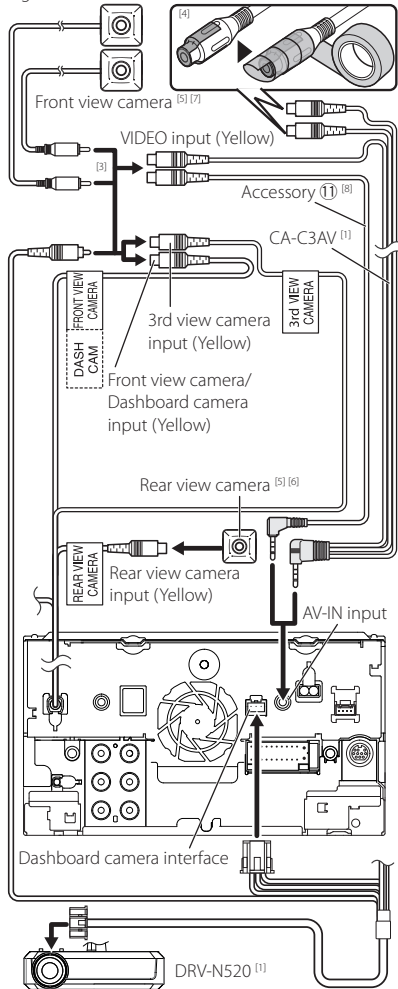
^[2] Sold separately

^[3] See **Securing the USB extension cable (P.107)**.

^[4] USB (Gray) terminal does not support USB Mirroring.

Connecting the camera

Left side view camera and
Right side view camera [2]



[5] CMOS-3xx series (optional accessory) or commercially available camera.

[6] For HD video, an HD camera is also used as Rear view camera. (DDX9907XR / DMX957XR only)

[7] For HD video, an HD camera is also used as Front view camera. (DDX9907XR / DMX957XR only)

[8] DDX9907XR / DMX957XR / DMX907S only

[1] Optional accessory

[2] Sold separately

[3] Up to 3 cameras of Dashboard camera, Front view camera, Left side view camera and Right side view camera can be connected. For more information, see **Camera Assignment Settings (P.76)**.

[4] Insulate audio input terminals of a CA-C3AV (optional accessory) when connecting to the Camera.