

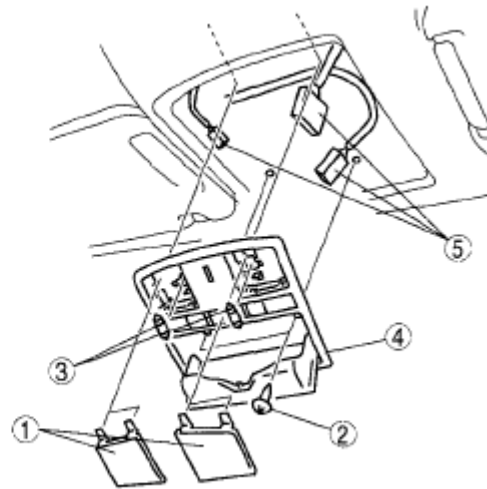
[Back To Article](#) | [< Previous Graphic](#) | [Next Graphic >](#)

[Logout](#) | [Help](#)

Full-Size Version - [Click Here](#) for Printer-Ready Version

**Fig. 58: Identifying Removal Sequence Of Front Map Light Components
MAZDA MOTORS CORP.**

1	Lens (See	Lens Removal Note.)
2	Screw	
3	Front map light bulb	
4	Front map light	
5	Connector	



Copyright 2022 Mitchell Repair Information Company, LLC. All Rights Reserved.

[Back To Article](#) | [< Previous Graphic](#) | [Next Graphic >](#)

Illustration: 05509737