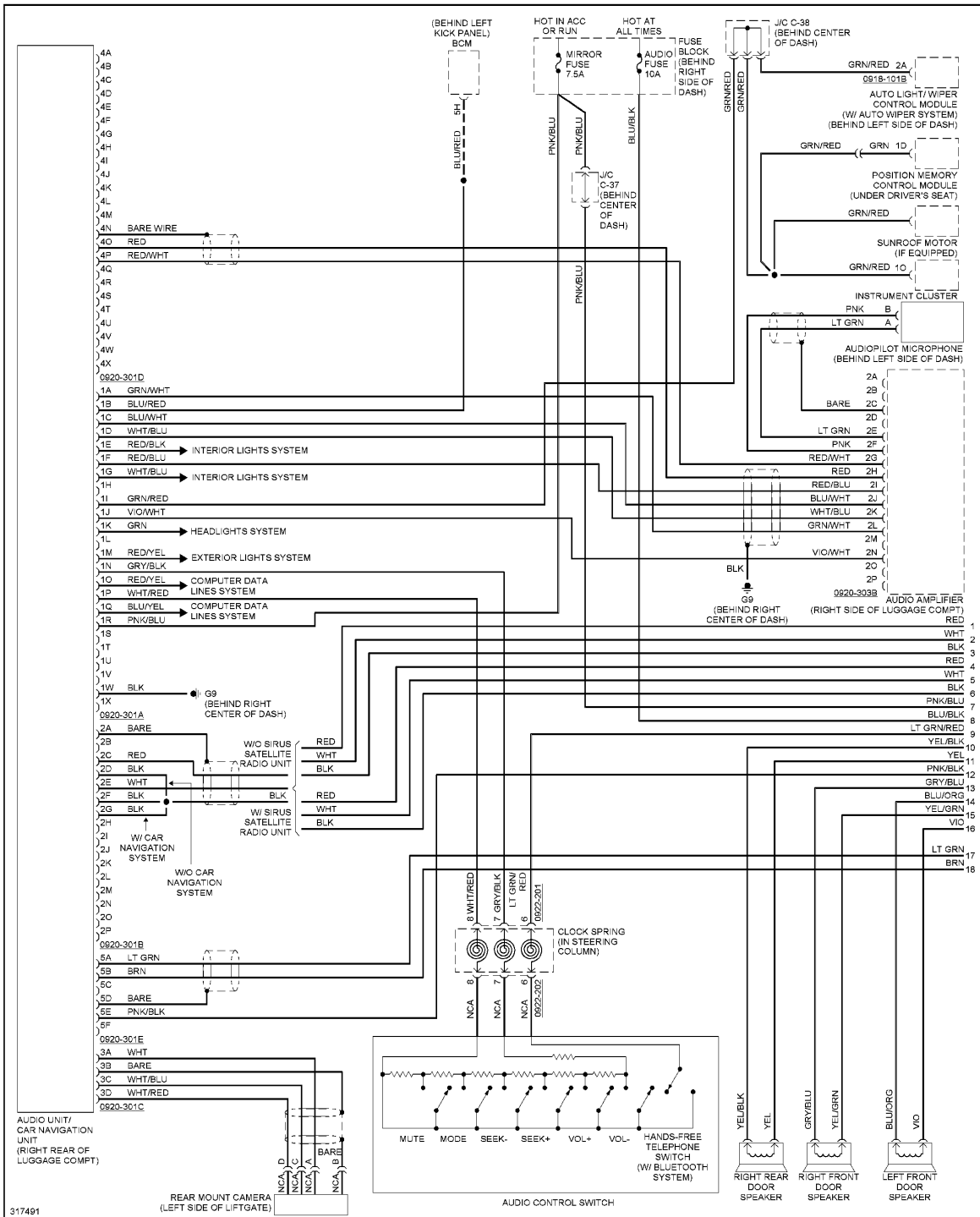


[Back To Article](#) | [< Previous Graphic](#) | [Next Graphic >](#)

[Logout](#) | [Help](#)

Printer-Ready Version (Use Browser Print Button) - [Click Here](#) for Full-Size Version

Fig. 51: Navigation Circuit (1 of 2)



Copyright 2022 Mitchell Repair Information Company, LLC. All Rights Reserved.

[Back To Article](#) | [< Previous Graphic](#) | [Next Graphic >](#)

Illustration: VA317491