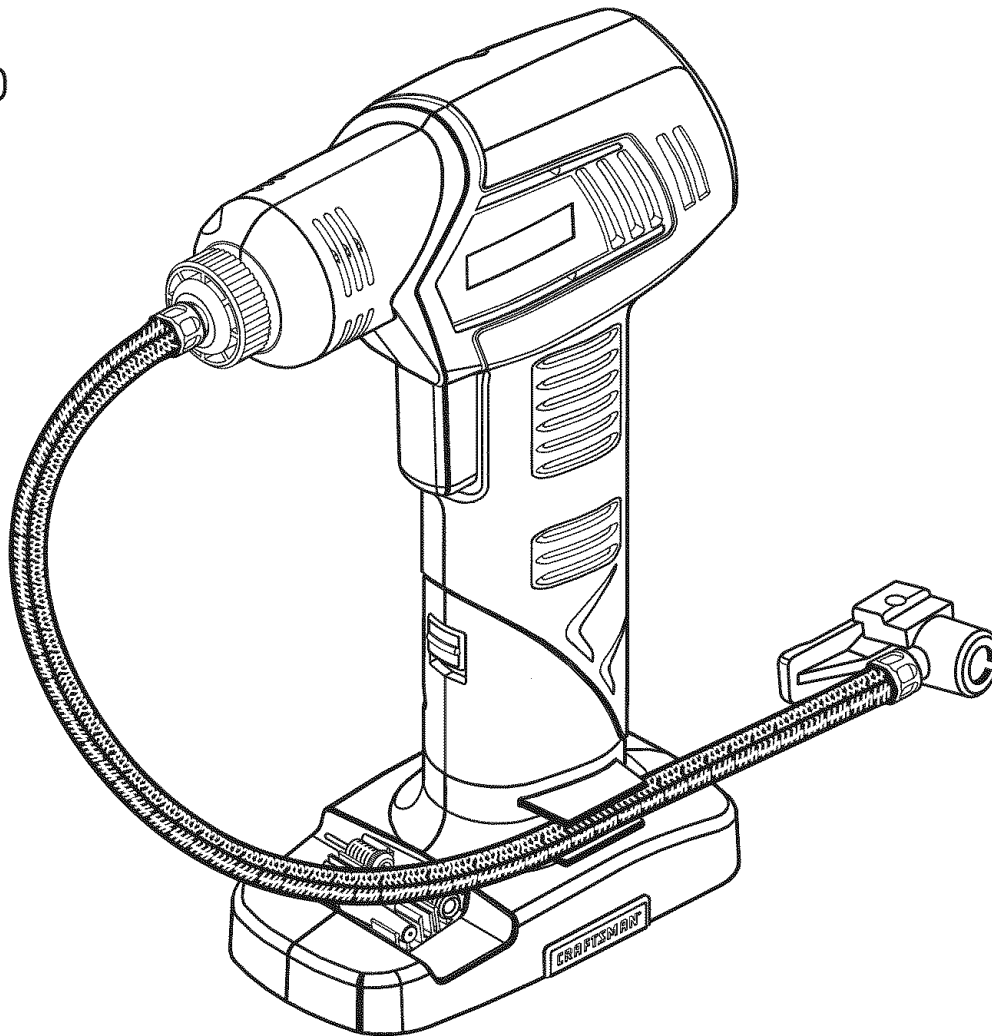


OPERATOR'S MANUAL



19.2 VOLT HANDHELD INFLATOR DIGITAL GAUGE

Model No.
315.115860



WARNING: To reduce the risk of injury, the user must read and understand the operator's manual before using this product.

**BATTERIES AND CHARGERS
SOLD SEPARATELY**

Customer Help Line: 1-800-932-3188

Sears, Roebuck and Co., 3333 Beverly Rd., Hoffman Estates, IL 60179 USA

Visit the Craftsman web page: www.sears.com/craftsman

983000-795
10-23-06 (REV:00)

Save this manual for future reference



TABLE OF CONTENTS

■ Warranty	2
■ Introduction	2
■ General Safety Rules	3-4
■ Specific Safety Rules	4
■ Safety Rules for Charger	5
■ Symbols	6-7
■ Features	8
■ Assembly	9
■ Operation	9-15
■ Maintenance	16
■ Exploded View and Parts List	17
■ Parts Ordering/Service	Back Page

WARRANTY

ONE-YEAR FULL WARRANTY ON CRAFTSMAN TOOL

If this Craftsman tool fails to give complete satisfaction within one year from date of purchase, **RETURN IT TO ANY SEARS STORE OR OTHER CRAFTSMAN OUTLET IN THE UNITED STATES FOR FREE REPLACEMENT.**


If this Craftsman tool is used for commercial or rental purposes, this warranty applies for only 90 days from the date of purchase.

This warranty gives you specific legal rights, and you may also have other rights which vary from state to state.

Sears, Roebuck and Co., Hoffman Estates, IL 60179

INTRODUCTION

This product has many features for making its use more pleasant and enjoyable. Safety, performance, and dependability have been given top priority in the design of this product making it easy to maintain and operate.

 **WARNING:** Some dust created by power sanding, sawing, grinding, drilling, and other construction activities contains chemicals known to cause cancer, birth defects or other reproductive harm. Some examples of these chemicals are:

- lead from lead-based paints,
- crystalline silica from bricks and cement and other masonry products, and
- arsenic and chromium from chemically-treated lumber.

Your risk from these exposures varies, depending on how often you do this type of work. To reduce your exposure to these chemicals: work in a well ventilated area, and work with approved safety equipment, such as those dust masks that are specially designed to filter out microscopic particles.

GENERAL SAFETY RULES

⚠ WARNING! READ AND UNDERSTAND ALL INSTRUCTIONS. Failure to follow all instructions listed below, may result in electric shock, fire and/or serious personal injury.

SAVE THESE INSTRUCTIONS

WORK AREA

- **Keep your work area clean and well lit.** Cluttered benches and dark areas invite accidents.
- **Keep bystanders, children, and visitors away while operating an handheld inflator.** Distractions can cause you to lose control.
- **Operate handheld inflator in an open area at least 18 in. away from any wall or object that could restrict the flow of fresh air to ventilation openings.**

ELECTRICAL SAFETY

- **A battery operated tool with integral batteries or a separate battery pack must be recharged only with the specified charger for the battery.** A charger that may be suitable for one type of battery may create a risk of fire when used with another battery.
- **Use battery operated handheld inflator only with specifically designated battery pack.** Use of any other batteries may create a risk of fire.
- **Use battery only with charger listed.**

MODEL	BATTERY PACK	CHARGER
315.115860	130279005 (Item No. 911375)	Model No. 1425301 (Item No. 911041)
	130279003	Model No. 315.115730 (Item No. 140301003)

PERSONAL SAFETY

- **Stay alert, watch what you are doing and use common sense when operating an handheld inflator. Do not use handheld inflator while tired or under the influence of drugs, alcohol, or medication.** A moment of inattention while operating handheld inflator may result in serious personal injury.
- **Dress properly. Do not wear loose clothing or jewelry. Contain long hair. Keep your hair, clothing, and gloves away from moving parts.** Loose clothes, jewelry, or long hair can be caught in moving parts.
- **Avoid accidental starting. Be sure switch is in the locked or off position before inserting battery pack.** Carrying handheld inflators with your finger on the switch or inserting the battery pack into an handheld inflator with the switch on invites accidents.
- **Do not overreach. Keep proper footing and balance at all times.** Proper footing and balance enable better control of the handheld inflator in unexpected situations.
- **Use safety equipment. Always wear eye protection.** Dust mask, non-skid safety shoes, hard hat, or hearing protection must be used for appropriate conditions.

- **Eye protection is required to guard against flying fasteners and debris which could cause severe eye injury.**
- **Do not wear loose clothing or jewelry. Contain long hair.** Loose clothes, jewelry, or long hair can be drawn into air vents.
- **Do not use on a ladder or unstable support.** Stable footing on a solid surface enables better control of the handheld inflator in unexpected situations.

TOOL USE AND CARE

- **Do not force the tool. Use the correct tool for your application.** The correct tool will do the job better and safer at the rate for which it is designed.
- **Check hoses for weak or worn condition before each use, making certain all connections are secure.** Do not use if defect is found. Purchase a new hose or notify an authorized service center for examination or repair.
- **Release all pressures within the system slowly.** Dust and debris may be harmful.
- **Do not use handheld inflator if switch does not turn it on or off.** An handheld inflator that cannot be controlled with the switch is dangerous and must be repaired.
- **Disconnect battery pack from handheld inflator or place the switch in the locked or off position before making any adjustments, changing accessories, or storing the handheld inflator.** Such preventive safety measures reduce the risk of starting the handheld inflator accidentally.
- **Store idle handheld inflators out of reach of children and other untrained persons.** Handheld inflators are dangerous in the hands of untrained users.
- **When battery pack is not in use, keep it away from other metal objects like: paper clips, coins, keys, nails, screws, or other small metal objects that can make a connection from one terminal to another.** Shorting the battery terminals together may cause sparks, burns, or a fire.
- **Check for misalignment or binding of moving parts, breakage of parts, and any other condition that may affect the handheld inflator's operation. If damaged, have the handheld inflator serviced before using.** Many accidents are caused by poorly maintained tools.
- **Use only accessories that are recommended by the manufacturer for your model.** Accessories that may be suitable for one handheld inflator may create a risk of injury when used on another handheld inflator.
- **Keep the handheld inflator and its handle dry, clean and free from oil and grease.** Always use a clean cloth when cleaning. Never use brake fluids, gasoline, petroleum-based products, or any strong solvents to clean your handheld inflator. Following this rule will reduce the risk of loss of control and deterioration of the enclosure plastic.

GENERAL SAFETY RULES

- **Never point any handheld inflator toward yourself or others.**
- **Keep the exterior of the handheld inflator dry, clean, and free from oil and grease.** Always use a clean cloth when cleaning. Never use brake fluids, gasoline, petroleum-based products, or any strong solvents to clean the unit. Following this rule will reduce the risk of deterioration of the enclosure plastic.
- **Do not exceed the pressure rating of any component in the system.**
- **Protect material lines and air lines from damage or puncture.** Keep hose and power cord away from sharp objects, chemical spills, oil, solvents, and wet floors.

SERVICE

- **Handheld inflator service must be performed only by qualified repair personnel.** Service or maintenance performed by unqualified personnel may result in a risk of injury.
- **When servicing an handheld inflator, use only identical replacement parts. Follow instructions in the Maintenance section of this manual.** Use of unauthorized parts or failure to follow Maintenance Instructions may create a risk of shock or injury.

SPECIFIC SAFETY RULES

- **Know your handheld inflator.** Read operator's manual carefully. Learn its applications and limitations, as well as the specific potential hazards related to this tool. Following this rule will reduce the risk of electric shock, fire, or serious injury.
- **Risk of Bursting.** Do not preset handheld inflator to result in output pressure greater than marked maximum pressure of item to be inflated. Do not use at pressure greater than 200 PSI.
- **To reduce the risk of electric shock,** do not expose to rain. Store indoors.
- **Inspect yearly for cracks, pin holes, or other imperfections that could cause handheld inflator to become unsafe.**
Never cut or drill holes in the handheld inflator.
- **Make sure the hose is free of obstructions or snags.** Entangled or snarled hoses can cause loss of balance or footing and may become damaged.
- **Use the handheld inflator only for its intended use. Do not alter or modify the unit from the original design or function.**
- **Always be aware that misuse and improper handling of this handheld inflator can cause injury to yourself and others.**
- **Never leave a handheld inflator unattended with the air hose attached.**
- **Do not continue to use a handheld inflator or hose that leaks air or does not function properly.**
- **Always disconnect the air supply and power supply before making adjustments, servicing a handheld inflator, or when an handheld inflator is not in use.**
- **Do not attempt to pull or carry the handheld inflator by the hoses.**
- **Always follow all safety rules recommended by the manufacturer of your handheld inflator, in addition to all safety rules for the handheld inflator.** Following this rule will reduce the risk of serious personal injury.
- **Do not use handheld inflator as a breathing device.**
- **Never direct a jet of compressed air toward people or animals. Take care not to blow dust and dirt towards yourself or others.** Following this rule will reduce the risk of serious injury.
- **Protect your lungs.** Wear a face or dust mask if the operation is dusty. Following this rule will reduce the risk of serious personal injury.
- **Do not use this handheld inflator to spray chemicals.** Your lungs can be damaged by inhaling toxic fumes.
- **Check damaged parts. Before further use of the handheld inflator or air tool, a guard or other part that is damaged should be carefully checked to determine that it will operate properly and perform its intended function. Check for alignment of moving parts, binding of moving parts, breakage of parts, mounting, and any other conditions that may affect its operation. A guard or other part that is damaged should be properly repaired or replaced by an authorized service center.** Following this rule will reduce the risk of shock, fire, or serious injury.
- **Do not crush, drop or damage battery pack. Do not use a battery pack or charger that has been dropped or received a sharp blow.** A damaged battery is subject to explosion. Properly dispose of a dropped or damaged battery immediately.
- **Do not charge battery tool in a damp or wet location.** Following this rule will reduce the risk of electric shock.
- **Inspect tool cords periodically and, if damaged, have repaired at your nearest Authorized Service Center. Constantly stay aware of cord location.** Following this rule will reduce the risk of electric shock or fire.
- **Save these instructions.** Refer to them frequently and use them to instruct others who may use this handheld inflator. If you loan someone this handheld inflator, loan them these instructions also.

SAFETY RULES FOR CHARGER

⚠ WARNING! READ AND UNDERSTAND ALL INSTRUCTIONS. Failure to follow all instructions listed below, may result in electric shock, fire and/or serious personal injury.

■ **Before using battery charger**, read all instructions and cautionary markings in this manual, on battery charger, battery, and product using battery to prevent misuse of the products and possible injury or damage.

⚠ CAUTION: To reduce the risk of electric shock or damage to the charger and battery, charge only nickel-cadmium rechargeable batteries as specifically designated on your charger. Other types of batteries may burst, causing personal injury or damage.

■ **Do not use charger outdoors or expose to wet or damp conditions.** Water entering charger will increase the risk of electric shock.

■ **Use of an attachment not recommended or sold by the battery charger manufacturer may result in a risk of fire, electric shock, or injury to persons.** Following this rule will reduce the risk of electric shock, fire, or serious personal injury.

■ **Do not abuse cord or charger.** Never use the cord to carry the charger. Do not pull the charger cord rather than the plug when disconnecting from receptacle. Damage to the cord or charger could occur and create an electric shock hazard. Replace damaged cords immediately.

■ **Make sure cord is located so that it will not be stepped on, tripped over, come in contact with sharp edges or moving parts or otherwise subjected to damage or stress.** This will reduce the risk of accidental falls, which could cause injury, and damage to the cord, which could result in electric shock.

■ **Keep cord and charger from heat to prevent damage to housing or internal parts.**

■ **Do not let gasoline, oils, petroleum-based products, etc. come in contact with plastic parts.** They contain chemicals that can damage, weaken, or destroy plastic.

■ **An extension cord should not be used unless absolutely necessary.** Use of improper extension cord could result in a risk of fire and electric shock. If extension cord must be used, make sure:

- That pins on plug of extension cord are the same number, size and shape as those of plug on charger.
- That extension cord is properly wired and in good electrical condition; and
- That wire size is large enough for AC ampere rating of charger as specified below:

Cord Length (Feet)	25'	50'	100'
Cord Size (AWG)	16	16	16

NOTE: AWG = American Wire Gauge

■ **Do not operate charger with a damaged cord or plug**, which could cause shorting and electric shock. If damaged, have the charger replaced by an authorized serviceman.

■ **Do not operate charger if it has received a sharp blow, been dropped, or otherwise damaged in any way.** Take it to an authorized serviceman for electrical check to determine if the charger is in good working order.

■ **Do not disassemble charger.** Take it to an authorized serviceman when service or repair is required. Incorrect reassembly may result in a risk of electric shock or fire.

■ **Unplug charger from outlet before attempting any maintenance or cleaning to reduce the risk of electric shock.**

■ **Disconnect charger from the power supply when not in use.** This will reduce the risk of electric shock or damage to the charger if metal items should fall into the opening. It also will help prevent damage to the charger during a power surge.

■ **Risk of electric shock.** Do not touch uninsulated portion of output connector or uninsulated battery terminal.

■ **Save these instructions.** Refer to them frequently and use them to instruct others who may use this tool. If you loan someone this tool, loan them these instructions also to prevent misuse of the product and possible injury.

IMPORTANT SAFETY INSTRUCTIONS

1. SAVE THESE INSTRUCTIONS








This manual contains important safety and operating instructions for battery charger 1425301 and 115730.

2. **Before using battery charger**, read all instructions and cautionary markings on battery charger, battery, and product using battery.

3. **CAUTION:** To reduce the risk of injury, charge only nickel-cadmium rechargeable batteries. Other types of batteries may burst, causing personal injury or damage.




SYMBOLS

Some of the following symbols may be used on this product. Please study them and learn their meaning. Proper interpretation of these symbols will allow you to operate the product better and safer.

SYMBOL	NAME	DESIGNATION/EXPLANATION
V	Volts	Voltage
A	Amperes	Current
Hz	Hertz	Frequency (cycles per second)
W	Watt	Power
min	Minutes	Time
~	Alternating Current	Type of current
==	Direct Current	Type or a characteristic of current
n_0	No Load Speed	Rotational speed, at no load
	Class II Tool	Double-insulated construction
.../min	Per Minute	Revolutions, strokes, surface speed, orbits etc., per minute
	Wet Conditions Alert	Do not expose to rain or use in damp locations.
	Read The Operator's Manual	To reduce the risk of injury, user must read and understand operator's manual before using this product.
	Eye Protection	Always wear safety goggles or safety glasses with side shields and, as necessary, a full face shield when operating this product.
	Safety Alert	Precautions that involve your safety.
	No Hands Symbol	Failure to keep your hands away from the blade will result in serious personal injury.
	Hot Surface	To reduce the risk of injury or damage, avoid contact with any hot surface.

SYMBOLS

The following signal words and meanings are intended to explain the levels of risk associated with this product.

SYMBOL	SIGNAL	MEANING
	DANGER:	Indicates an imminently hazardous situation, which, if not avoided, will result in death or serious injury.
	WARNING:	Indicates a potentially hazardous situation, which, if not avoided, could result in death or serious injury.
	CAUTION:	Indicates a potentially hazardous situation, which, if not avoided, may result in minor or moderate injury.
	CAUTION:	(Without Safety Alert Symbol) Indicates a situation that may result in property damage.

SERVICE

Servicing requires extreme care and knowledge and should be performed only by a qualified service technician. For service we suggest you return the product to your nearest **SEARS OR OTHER QUALIFIED SERVICE CENTER** for repair. When servicing, use only identical replacement parts.



WARNING: To avoid serious personal injury, do not attempt to use this product until you read thoroughly and understand completely the operator's manual. If you do not understand the warnings and instructions in the operator's manual, do not use this product. Call Sears customer service for assistance.

WARNING:



The operation of any power tool can result in foreign objects being thrown into your eyes, which can result in severe eye damage. Before beginning power tool operation, always wear safety goggles or safety glasses with side shields and, when needed, a full face shield. We recommend Wide Vision Safety Mask for use over eyeglasses or standard safety glasses with side shields. Always use eye protection which is marked to comply with ANSI Z87.1.

SAVE THESE INSTRUCTIONS

FEATURES

PRODUCT SPECIFICATIONS

Motor19.2 Volt, DC
Hose 18 in. with vehicle chuck
Gauges Digital readout (PSI, Kg/Cm², and BAR)

Charger Input 120 V, 60 Hz, AC only
Charge Rate 1 hour
Air Pressure 200 PSI, 13.7 BAR, 14 KG/CM² max.

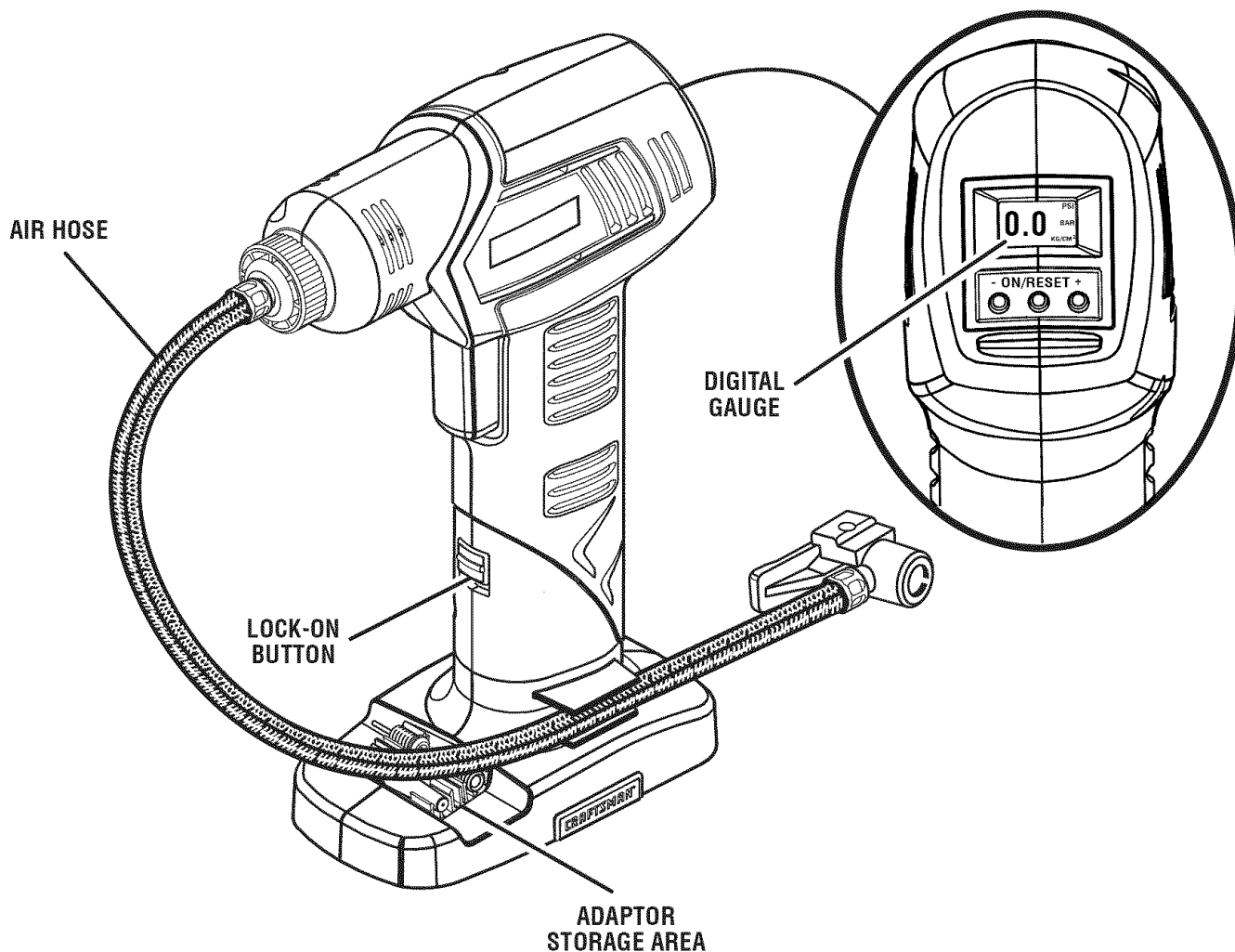


Fig. 1

KNOW YOUR HANDHELD INFLATOR

See Figure 1.

The safe use of this product requires an understanding of the information on the product and in this operator's manual as well as a knowledge of the project you are attempting. Before use of this product, familiarize yourself with all operating features and safety rules.

ADAPTORS

Adaptors provided with the handheld inflator can be used to inflate a variety of items.

ADAPTOR STORAGE AREA

Some adaptors provided with the handheld inflator can be placed in the storage area, located on the base.

AIR HOSE

The air hose can be used with or without the adaptors to inflate a variety of items.

DIGITAL GAUGE

The digital gauge measures air pressure, monitors pressure output, and is used to set pressure type.

LOCK-ON BUTTON

The lock-on button is convenient for continuous inflating up to 40 PSI, 2.75 BAR, and 2.81 KG/CM² for extended periods of time.

ASSEMBLY


UNPACKING


This product has been shipped completely assembled.


- Carefully remove the product and any accessories from the box. Make sure that all items listed in the packing list are included.
- Inspect the product carefully to make sure no breakage or damage occurred during shipping.
- Do not discard the packing material until you have carefully inspected and satisfactorily operated the product.
- If any parts are damaged or missing, please call 1-800-932-3188 for assistance.

PACKING LIST


Handheld inflator
Detachable Air Hose
Tapered Adaptor
Sport Ball Needle
Presta Valve Adaptor
Schrader Valve Tool
Main Adaptor
Large Tapered Adaptor
Small Tapered Adaptor
Pinch Valve Adaptor
Operator's Manual


 **WARNING:** If any parts are damaged or missing do not operate this product until the parts are replaced. Failure to heed this warning could result in serious personal injury.


 **WARNING:** Do not attempt to modify this product or create accessories not recommended for use with this product. Any such alteration or modification is misuse and could result in a hazardous condition leading to possible serious personal injury.


 **WARNING:** To prevent accidental starting that could cause serious personal injury, always remove the battery pack from the product when assembling parts.


OPERATION


 **WARNING:** Do not allow familiarity with products to make you careless. Remember that a careless fraction of a second is sufficient to inflict serious injury.


 **WARNING:** Always wear safety goggles or safety glasses with side shields when operating products. Failure to do so could result in objects being thrown into your eyes, resulting in possible serious injury.


 **WARNING:** Do not use any attachments or accessories not recommended by the manufacturer of this product. The use of attachments or accessories not recommended can result in serious personal injury.


 **WARNING:** The handheld handheld inflator is capable of inflating to 200 PSI, 13.7 BAR, or 14 KG/CM² max. To avoid over inflation, carefully follow instructions on items to be inflated. Never exceed recommended pressures. Use only recommended air handling parts acceptable for pressures not less than 200 psi.

 **CAUTION:** Do not leave items to be inflated unattended while handheld inflator is in use. These items can burst and could cause serious injury.

 **WARNING:** The handheld inflator is not designed to inflate large volume items such as boats, pools, rafts, large air beds, etc. It is also not designed for commercial application.

 **WARNING:** Since the pressure display is not calibrated, and is therefore not binding for exact values, tire pressure must be checked using a calibrated measuring device before driving a vehicle with vehicle tires inflated with the handheld inflator.

 **WARNING:** Risk of injury-do not direct air stream at body.

 **WARNING:** Hot surface-to reduce risk of burns do not touch metal clamps of hose assembly.

APPLICATIONS

You may use this tool for the purposes listed below:

- Inflating sports balls, tires, floats, and toys

CAUTION: If at any point during the charging process none of the LEDs are lit, remove the battery pack from the charger to avoid damaging the product. DO NOT insert another battery. Return the charger and battery to your nearest Sears or other qualified service center for service or replacement.

OPERATION

LED FUNCTIONS OF CHARGER

LED WILL BE ON TO INDICATE STATUS OF CHARGER AND BATTERY PACK:

- Red LED on = Fast charging mode.
- Green LED on = Fully charged and in maintenance charge mode.
- Green LED on = When battery pack is inserted into charger, indicates hot battery pack or that battery pack is out of normal temperature range.
- Yellow and Green LEDs on = Deeply discharged or defective battery pack.
- No LED on = Defective charger or battery pack.

CHARGING THE BATTERY PACK

Battery packs for this tool are shipped in a low charge condition to prevent possible problems. Therefore, you should charge it until the green LED on the front of the charger comes on.

NOTE: Batteries will not reach full charge the first time they are charged. Allow several cycles (operation followed by recharging) for them to become fully charged.

CHARGING A COOL BATTERY PACK

If battery pack is below normal temperature range, the green LED on charger will come on. Allow battery pack to reach normal temperature, then the red LED will come on.

NOTE: If the charger does not charge the battery pack under normal circumstances, return both the battery pack and charger to your nearest Sears or other qualified service center for electrical check.

- Charge the battery pack only with the charger provided.
- Make sure the power supply is normal household voltage, **120 volts, 60 Hz, AC only**.
- Connect the charger to the power supply.
- Place the battery pack in the charger aligning raised rib on the battery pack with the groove in the charger. See *Figure 2*.
- Press down on the battery pack to be sure contacts on the battery pack engage properly with contacts in the charger.
- Normally the red LED on charger will come on. This indicates the charger is in fast charging mode.
- Red LED should remain on for approximately 1 hour then the green LED will come on. Green LED on indicates battery pack is fully charged and charger is in maintenance charge mode.

NOTE: The green LED will remain on until the battery pack is removed from the charger or charger is disconnected from the power supply.

- If both yellow and green LEDs come on, this indicates a deeply discharged or defective battery pack. Allow the battery pack to remain in the charger for 15 to 30 minutes. When the battery pack reaches normal

voltage range, the red LED should come on. If the red LED does not come on after 30 minutes, this may indicate a defective battery pack that should be replaced.

- After normal usage, a minimum of 1 hour of charging time is required to fully recharge battery pack.
- The battery pack will become slightly warm to the touch while charging. This is normal and does not indicate a problem.
- Do not place the charger and battery pack in an area of extreme heat or cold. They will work best at normal room temperature.

BATTERY PACK SHOWN IN CHARGER

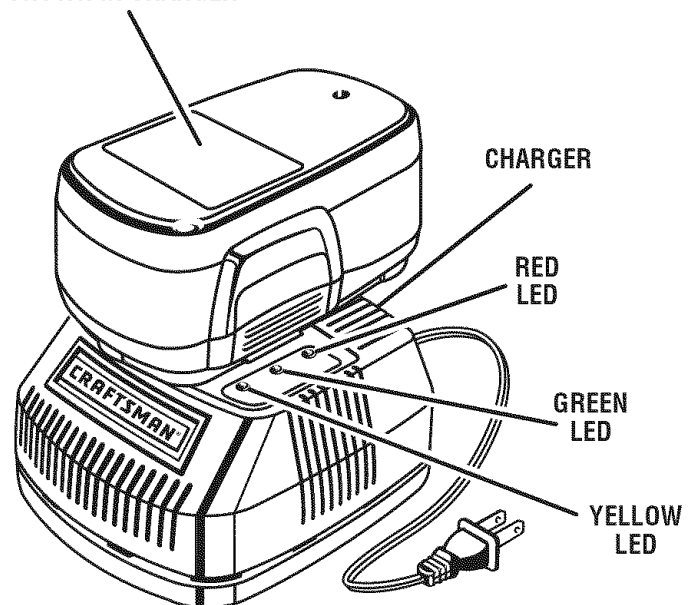


Fig. 2

NOTE: The charger and battery pack should be placed in a location where the temperature is more than 50°F but less than 100°F.

- When batteries become fully charged, unplug the charger from power supply and remove the battery pack.

CHARGING A HOT BATTERY PACK

When using the product continuously, the batteries in the battery pack will become hot. You should let a hot battery pack cool down for approximately 30 minutes before attempting to recharge. When the battery pack becomes discharged and is hot, this will cause the green LED to come on instead of the red LED. After 30 minutes, reinsert the battery pack in the charger. If the green LED continues to remain on, return battery pack to your nearest Sears or other qualified service center for checking or replacing.

NOTE: This situation only occurs when continuous use of the tool causes the batteries to become hot. It does not occur under normal circumstances.

OPERATION

Refer to **CHARGING A COOL BATTERY PACK** for normal recharging of batteries. If the charger does not charge your battery pack under normal circumstances, return both the battery pack and charger to your nearest Sears or other qualified service center for electrical check.

TO INSTALL BATTERY PACK

See Figure 3.

- Place battery pack in the handheld inflator. Align raised rib on battery pack with groove inside handheld inflator.

CAUTION: When placing battery pack in the handheld inflator, be sure raised rib on battery pack aligns with groove inside handheld inflator and latches snap into place properly. Improper assembly of battery pack can cause damage to internal components.

- Make sure the latches on each side of the battery pack snap in place and battery pack is secured in handheld inflator before beginning operation.

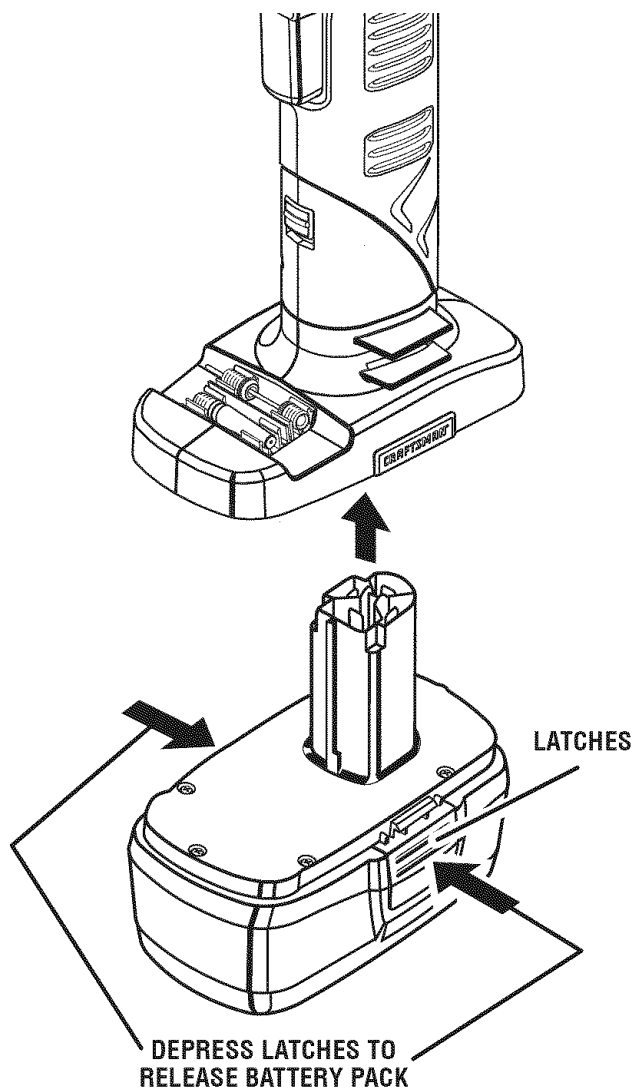


Fig. 3

TO REMOVE BATTERY PACK

See Figure 3.

- Locate the latches on the side of the battery pack and depress to release the battery pack from handheld inflator.
- Remove battery pack from handheld inflator.



WARNING: Improperly attached hoses or adaptors can become detached under pressure and cause serious injury. Possible air leaks can cause faulty pressure readings. Make sure all connections are tightly secured.

INSTALLING/REMOVING ADAPTORS WITHOUT THE AIR HOSE

See Figure 4.

The tapered adaptor or sport ball needle can be used without the air hose.

- Remove battery pack from handheld inflator.
- Loosen adaptor attachment knob slightly by turning counterclockwise.
- Push sport ball needle or tapered adaptor inward until it stops.
- Tighten adaptor attachment knob by turning clockwise.
- To loosen, turn adaptor attachment knob counterclockwise and remove tapered adaptor or sport ball needle.

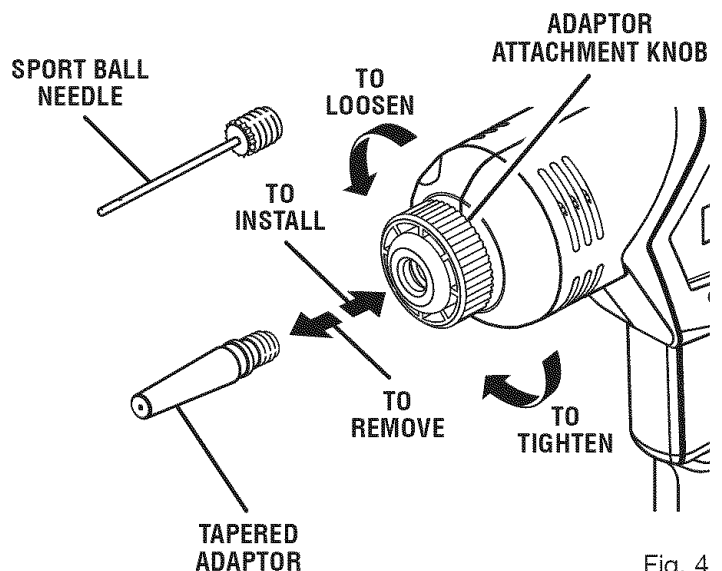


Fig. 4

OPERATION

INSTALLING/REMOVING AIR HOSE

See Figure 5.

- Remove battery pack from handheld inflator.
- Loosen adaptor attachment knob slightly by turning counterclockwise.
- Insert the end of the air hose into the open end of the handheld inflator.
- Push air hose inward until it stops.
- Tighten adaptor attachment knob by turning clockwise.
- To remove, turn adaptor attachment knob counterclockwise and remove air hose.

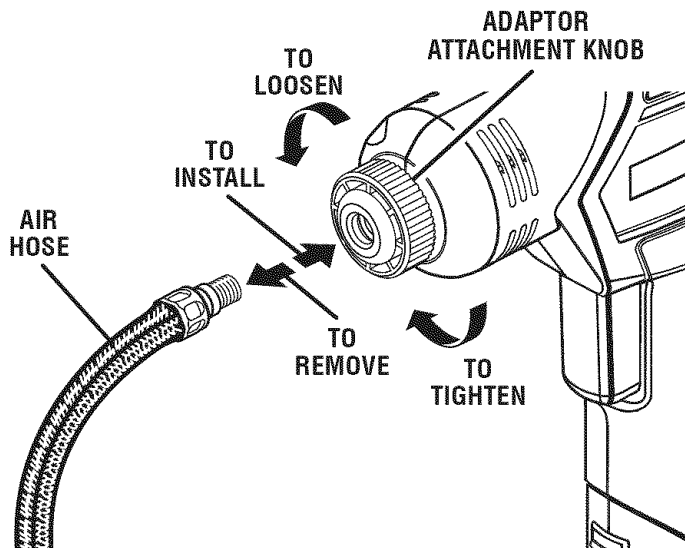


Fig. 5

INFLATING WITH THE AIR HOSE

See Figure 6.

The air chuck on the air hose can be used without adaptors to inflate tires or with any item with a valve stem that fits the air chuck opening.

- Place air chuck on valve stem.

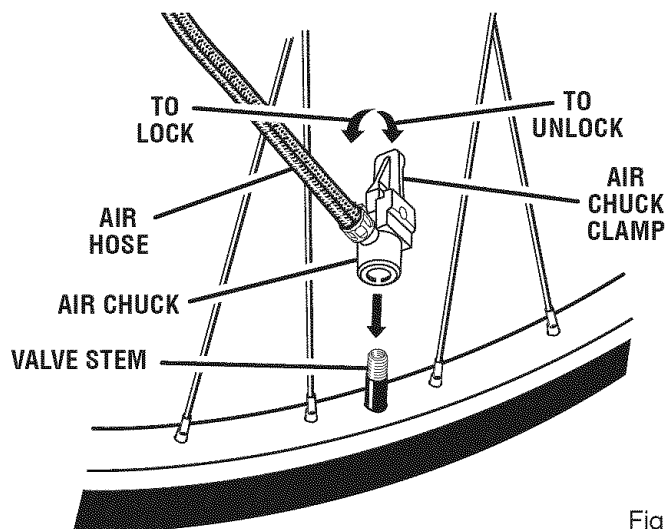


Fig. 6

- Push air chuck down so that the threaded section of the valve stem is inside the air chuck.
- Clamp the end of the air chuck down onto the valve stem by pressing air chuck clamp down until it stops or is parallel with the air hose.

INFLATING WITH THE AIR HOSE AND ADAPTORS

See Figure 7.

The air hose can be used with the provided adaptors to inflate a variety of items.

- Insert adaptor into air chuck and push air chuck clamp down until it locks into place.
- To remove, lift air chuck clamp and remove adaptor from air chuck.

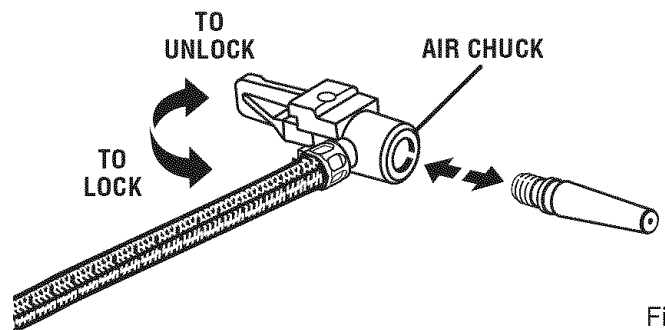


Fig. 7

ADAPTOR FUNCTIONS

See Figures 8 - 12.

The Schrader valve tool can be used to remove valve cores for quick deflation.

The tapered adaptor can be used on smaller air valves to inflate items like floats and children's toys, which usually require the user to inflate them by blowing air into them.

The sport ball needle can be used to inflate any type of sports ball or any other item that requires a sport ball needle.

The Presta valve adaptor can be used for Presta valve stems as shown. Before inflating a tire with a Presta valve, loosen the locking nut to inflate. Once inflation is complete, tighten the locking nut to seal the tire valve.

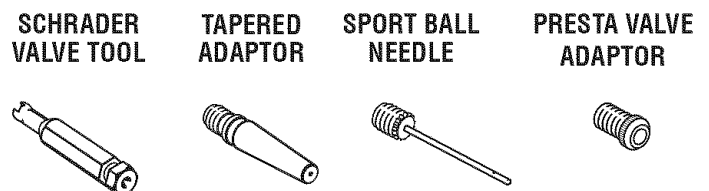


Fig. 8

OPERATION

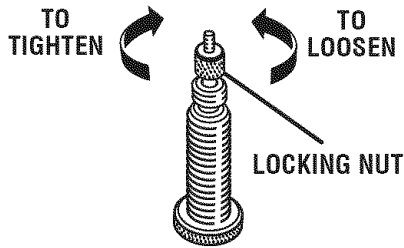


Fig. 9

To use the Presta valve adaptor:

- Loosen Presta valve locking nut.
- Thread Presta valve adaptor onto valve stem with larger open end toward wheel.
- Clamp the end of the air chuck down onto the Presta valve adaptor by pressing air chuck clamp down until it locks into place.
- After inflation, (See **switch trigger**) remove air chuck and tighten locking nut.

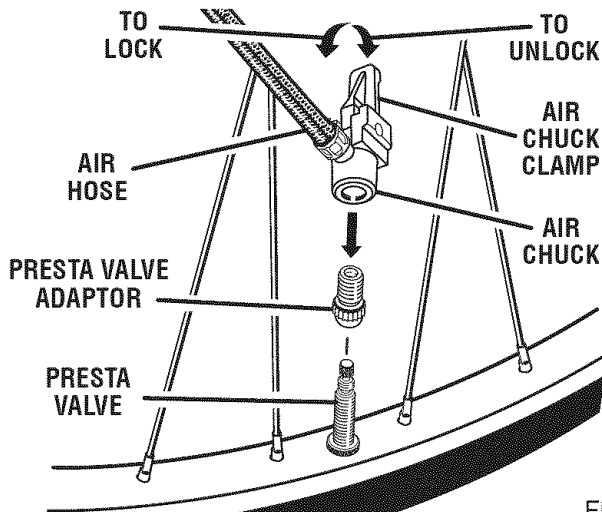


Fig. 10

HIGH VOLUME ADAPTOR

See Figures 11 - 12.

The high volume adaptor can be useful in inflating small, low pressure items such as beach balls and children's toys.

Like most adaptors provided for the handheld inflator, the high volume adaptor can be used either with or without the air hose and air chuck.

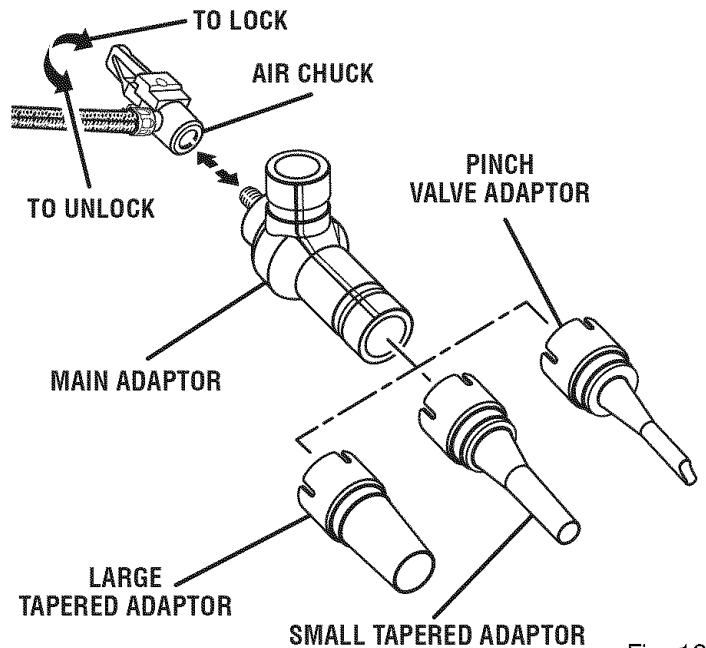


Fig. 12

In order to use the high volume adaptor, you must first install the main adaptor onto the handheld inflator or air chuck, and then fit the appropriate adaptor onto the main adaptor.

To use without the air hose:

- Remove battery pack from handheld inflator.
- Loosen adaptor attachment knob slightly by turning counterclockwise.
- Insert the end of the main adaptor into the open end of the handheld inflator.
- Push main adaptor inward until it stops.
- Tighten adaptor attachment knob by turning clockwise.
- Attach desired adaptor.
- To remove, turn adaptor attachment knob counterclockwise and remove adaptor(s).

To use with the air hose:

- Insert main adaptor into air chuck and push air chuck clamp down until it locks into place.
- Attach desired adaptor.
- To remove, lift air chuck clamp up and remove adaptor(s) from air chuck.

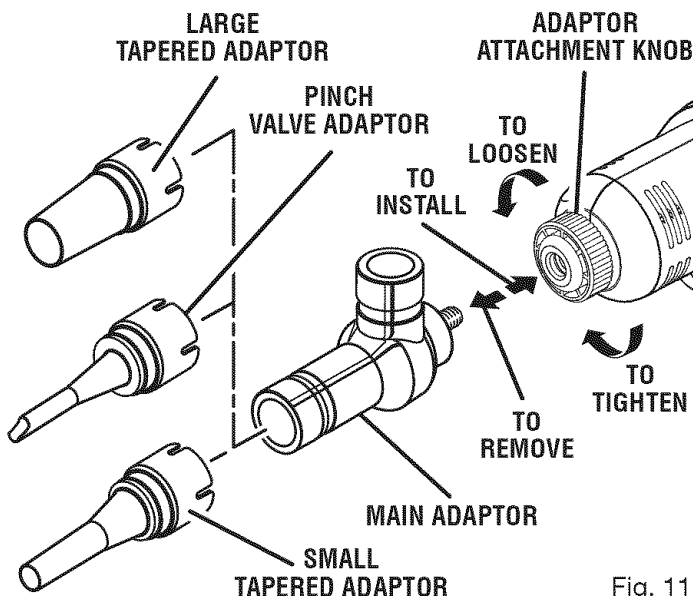


Fig. 11

OPERATION

SWITCH TRIGGER

See Figure 13.

To turn the handheld inflator **ON**, depress and hold the switch trigger. To turn it **OFF**, release the switch trigger.

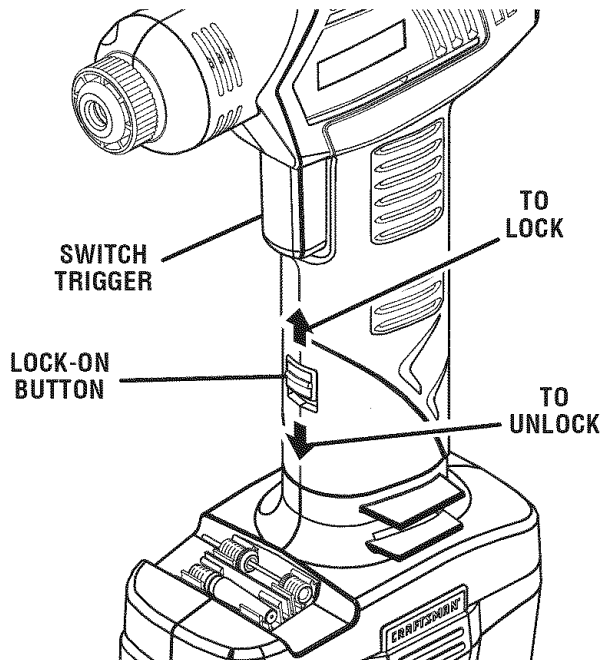


Fig. 13

NOTE: When inflating items of 10 PSI, .69 BAR, .70 KG/CM² or less, inflate in short bursts and check after each burst by feel or with a calibrated measuring device to determine accurate pressure.

LOCK-ON BUTTON

See Figure 13.

The handheld inflator is equipped with a lock-on feature, which is convenient for continuous inflating for extended periods of time. The lock-on button is located below the switch trigger. To lock-on:

- Depress the switch trigger.
- Push the lock-on button up.
- Release the switch trigger and the handheld inflator will continue running.
- To release the lock, push the lock-on button down.

If the lock-on feature is engaged during use and the handheld inflator becomes disconnected from the power supply, disengage the lock-on feature immediately.

NOTE: The lock-on feature only works for pressures up to 40 PSI, 2.75 BAR, and 2.80 KG/CM². The handheld air compressor is designed to automatically stop at 40 PSI, 2.75 BAR, or 2.80 KG/CM² for all lock-on inflating operations.

ADAPTOR STORAGE

See Figure 14.

When not in use, adaptors provided with the handheld inflator (except those that come with the high volume adaptor) can be placed in the storage area located on the base.

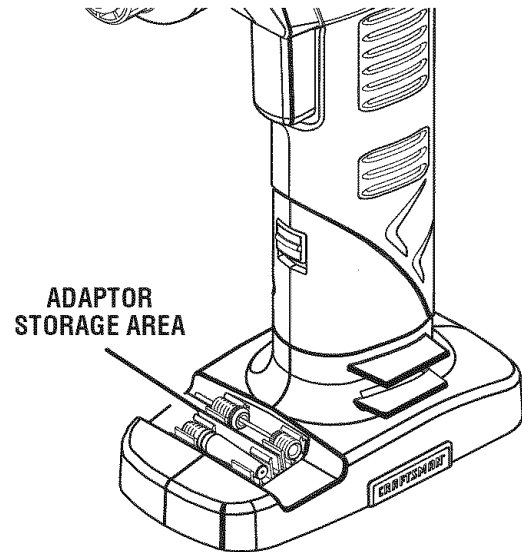


Fig. 14

DIGITAL GAUGE

See Figures 15- 17.

The digital gauge on the handheld inflator is multifunctional. It serves as a pressure gauge, monitors the amount of pressure being applied to the item being inflated, and can change air pressure measurement units from PSI to BAR to KG/CM².

DIGITAL GAUGE AIR PRESSURE READOUT

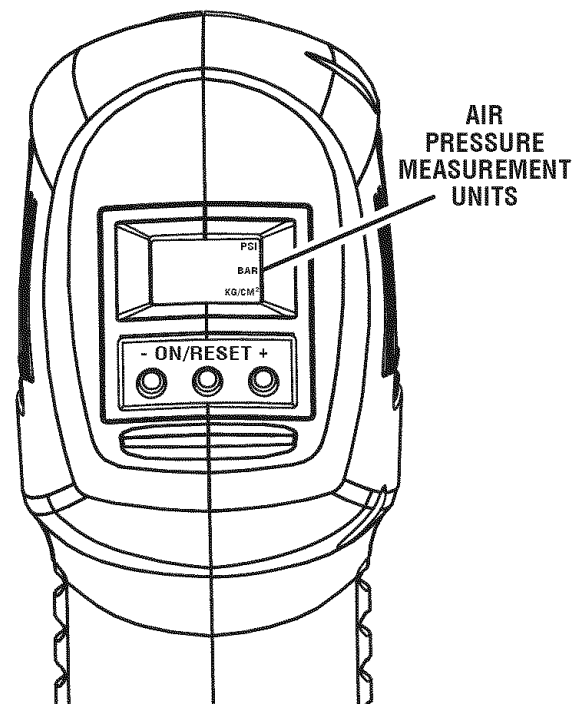


Fig. 15

OPERATION

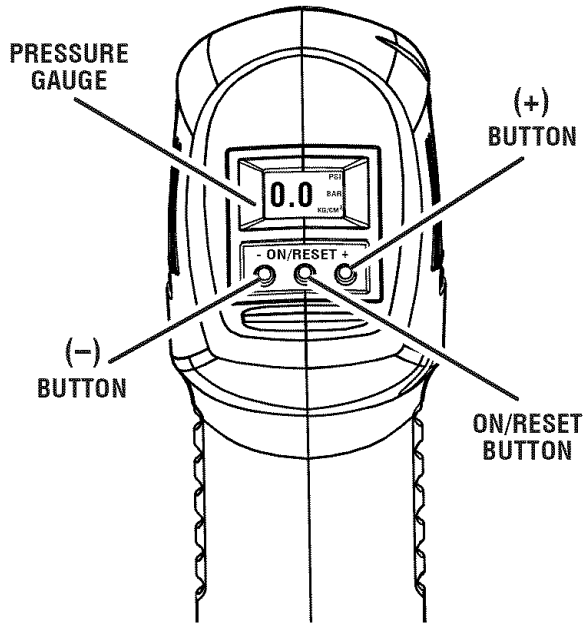


Fig. 16

To turn the digital gauge **ON**, press the **ON/RESET** button or depress the switch trigger.

NOTE: Make sure digital gauge is set at 0 before use. If gauge reads "Err" or needs resetting, press and hold **ON/RESET** button for 3-6 seconds.

NOTE: The digital gauge will automatically shut off when not in use for 2 1/2 minutes or more.

To use the pressure gauge feature:

- Turn digital gauge on by pressing **ON/RESET** button or depressing and releasing switch trigger.
- Place air chuck over valve stem and press down. Readout will appear on gauge.

If inflating, the air pressure will appear on the gauge as the item is being inflated.

To switch from PSI, KG/CM², and BAR:

- With gauge **ON**, press and hold down **ON/RESET** button for at least 6 seconds.
- The current measuring unit will flash. Press the **ON/RESET** button to select the desired measuring unit.
- The setting takes effect 5 seconds after the display stops flashing.

To set pressure gauge for automatic shut off:

- With gauge **ON**, press and hold down (+) or (-) buttons to select desired shutoff pressure.
NOTE: Numbers will flash while setting pressure. Holding buttons down will make the pressure number increase faster.
- When desired setting has been selected, begin inflating. Handheld inflator will shut off once setting is reached.

NOTE: If using the lock-on button with a preset pressure setting, the unit will stop after the item being inflated has reached 40 PSI, 2.75 BAR, or 2.80 KG/CM².

The lock-on feature must then be disengaged, and the switch trigger must be held manually for pressures over 40 PSI, 2.75 BAR, or 2.80 KG/CM².

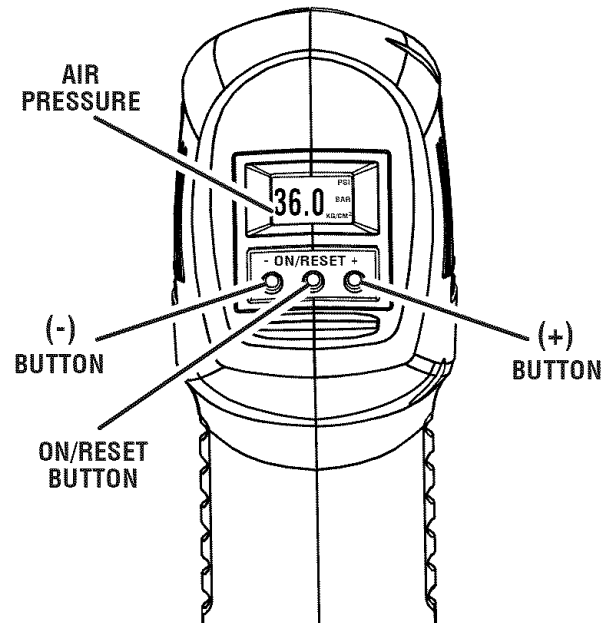


Fig. 17

MAINTENANCE

WARNING: When servicing, use only identical Craftsman replacement parts. Use of any other part may create a hazard or cause product damage.

WARNING: Always wear safety goggles or safety glasses with side shields when using compressed air to clean products. If the operation is dusty, also wear a dust mask.

WARNING: To avoid serious personal injury, always remove the battery pack from the product when cleaning or performing any maintenance.

GENERAL MAINTENANCE

Avoid using solvents when cleaning plastic parts. Most plastics are susceptible to damage from various types of commercial solvents and may be damaged by their use. Use clean cloths to remove dirt, dust, oil, grease, etc.

WARNING: Do not at any time let brake fluids, gasoline, petroleum-based products, penetrating oils, etc. come in contact with plastic parts. Chemicals can damage, weaken or destroy plastic which may result in serious personal injury.

Only the parts shown on the parts list are intended to be repaired or replaced by the customer. All other parts should be replaced at a Sears Service Center.

BATTERIES

The battery pack for this product is equipped with nickel-cadmium rechargeable batteries. Length of service from each charging will depend on the type of work you are doing.

The batteries in this product have been designed to provide maximum trouble-free life. However, like all batteries, they will eventually wear out. **Do not** disassemble battery pack and attempt to replace the batteries. Handling of these batteries, especially when wearing rings and jewelry, could result in a serious burn.

To obtain the longest possible battery life, we suggest the following:

- Remove the battery pack from the charger once it is fully charged and ready for use.

For battery pack storage longer than 30 days:

- Store the battery pack where the temperature is below 80°F.
- Store battery packs in a "discharged" condition.

BATTERY PACK REMOVAL AND PREPARATION FOR RECYCLING



To preserve natural resources, please recycle or dispose of batteries properly.

This product contains nickel-cadmium batteries. Local, state or federal laws may prohibit disposal of nickel-cadmium batteries in ordinary trash.

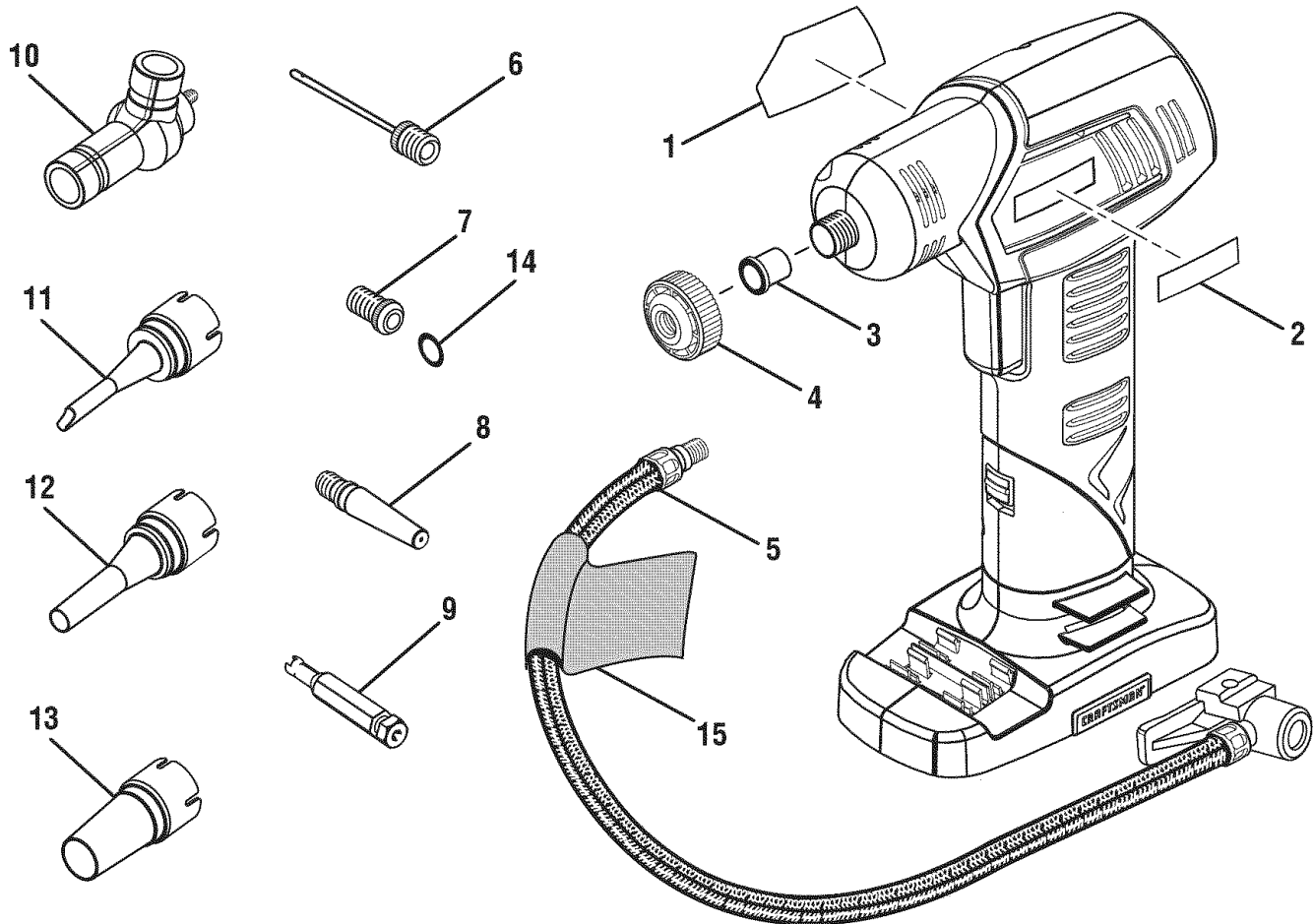
Consult your local waste authority for information regarding available recycling and/or disposal options.

WARNING: Upon removal, cover the battery pack's terminals with heavy-duty adhesive tape. Do not attempt to destroy or disassemble battery pack or remove any of its components. Nickel-cadmium batteries must be recycled or disposed of properly. Also, never touch both terminals with metal objects and/or body parts as short circuit may result. Keep away from children. Failure to comply with these warnings could result in fire and/or serious injury.

CRAFTSMAN HANDHELD INFLATOR – MODEL NUMBER 315.115860

The model number will be found on a plate attached to the motor housing. Always mention the model number in all correspondence regarding your **handheld inflator** or when ordering repair parts.

SEE BACK PAGE FOR PARTS ORDERING INSTRUCTIONS



PARTS LIST

Key No.	Part Number	Description	Qty.
1	940055120	Data Label	1
2	940054126	Logo Label	1
3	570339001	Rubber Sleeve	1
4	513513001	Knob, Hose Retainer	1
5	671793001	Air Hose Assembly (includes key no. 15)	1
6	671792001	* Sport Ball Needle	1
7	200449001	* Presta Valve Adaptor Assembly (includes key no. 14)	1
8	513420001	* Tapered Adaptor	1
9	671891001	* Schrader Valve Tool	1
10	120774001	Main Adaptor	1
11	513988001	Pinch Valve Adaptor	1
12	513989001	Small Tapered Adaptor	1
13	513990001	Large Tapered Adaptor	1
14	570659001	* Presta Valve Adaptor O Ring (4 mm ID x 8 mm OD)	1
15	940264112	Warning Label	1
16	983000795	Operator's Manual (not shown)	1

* Standard Hardware Item – May Be Purchased Locally