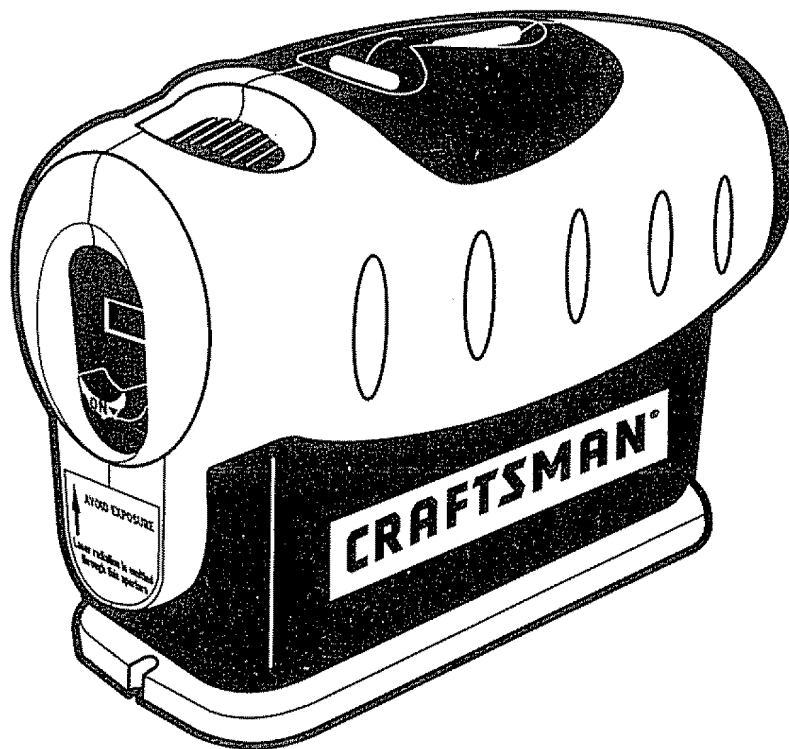


Owner's Manual



4-in-1 LEVEL with Laser Trac™

Model No.
320.48251



⚠ CAUTION: Read, understand and follow all Safety Rules and Operating Instructions in this manual before using this product.

- SAFETY
- OPERATION
- MAINTENANCE
- ESPAÑOL, PAGINA 17

Sears, Roebuck and Co., Hoffman Estates, IL 60179 U.S.A.

TABLE OF CONTENTS

Warranty.....	Page 2
Safety Instructions.....	Page 3
Description.....	Page 4
Operation.....	Pages 5 -12
Maintenance.....	Page 13
Trouble Shooting.....	Page 14
Service Numbers.....	Back Cover

FULL ONE YEAR WARRANTY ON CRAFTSMAN LASER LEVEL

If this CRAFTSMAN Laser Level fails to give complete satisfaction within one year from the date of purchase, **RETURN IT TO THE NEAREST SEARS STORE IN THE UNITED STATES**, and Sears will replace it, free of charge.


If this CRAFTSMAN Laser Level is used for commercial or rental purposes, this warranty applies for only 90 days from the date of purchase.


This warranty gives you specific legal rights, and you may also have other rights which vary from state to state.


Sears, Roebuck and Co., Dept. 817 WA, Hoffman Estates, IL 60179

**SAVE THESE INSTRUCTIONS!
READ ALL INSTRUCTIONS!**

SAFETY INSTRUCTIONS

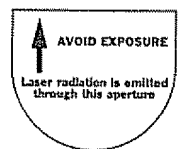
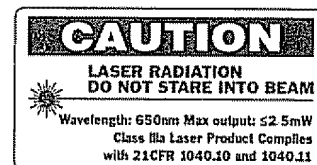
 **WARNING: BE SURE** to read and understand all instructions in this manual before using this level. Failure to follow all instructions may result in hazardous radiation exposure, electric shock, fire, and/or bodily injury.

 **CAUTION:** Use of controls or adjustments or performance of procedures other than those specified herein, may result in hazardous radiation exposure.

 **CAUTION:** The use of optical instruments with this product will increase eye hazard.



IMPORTANT: The following labels are on your level. They indicate where the laser light is emitted by the level. **ALWAYS BE AWARE** of their location when using the level. **ALWAYS MAKE SURE** that any bystanders in the vicinity of use are made aware of the dangers of looking directly into the laser.



WARNING! LASER LIGHT. LASER RADIATION
Avoid Direct Eye Exposure. Do Not Stare into beam.

1. **DO NOT** remove or deface any product labels. Removing product labels increases the risk of exposure to laser radiation.
2. **DO NOT** stare directly at the laser beam or project the laser beam directly into the eyes of others. Serious eye injury could result.
3. **DO NOT** place the Laser Trac™ Level in a position that may cause anyone to stare into the laser beam intentionally or unintentionally. Serious eye injury could result.
4. **DO NOT** use any magnifying optical tools such as, but not limited to telescopes or transits to view the laser beam. Serious eye injury could result.
5. **DO NOT** operate the Laser Trac™ Level around children or allow children to operate the tool. Serious eye injury could result.
6. **ALWAYS** turn the Laser Trac™ Level off when not in use. Leaving the tool on increases the risk of someone inadvertently staring into the laser beam.
7. **DO NOT** operate the Laser Trac™ Level in combustible areas such as in the presence of flammable liquids, gasses or dust.
8. **DO NOT** push the red buttons on the Thin-Pin Wall Mount Base unless you plan to affix the base to a soft wood or wallboard surface. This could result in injury, because the pins under the base are very sharp instruments. **ALWAYS HANDLE THIS BASE PLATE CAREFULLY. ALWAYS** use the protective cover on the base when not in use.
9. When using any of the base plates included with the Laser Trac™ Level **ALWAYS** check to be sure that the tool is securely mounted on the base. Damage to the tool and/or serious injury to the user could result if the tool falls.
10. **ALWAYS** use only the accessories that are recommended by Sears for use with the Laser Trac™ Level with this product. Use of accessories that have been designed for use with other laser tools could result in serious injury.
11. **DO NOT** use the Laser Trac™ Level for any purpose other than those outlined in this manual. This could result in serious injury.

DESCRIPTION

KNOW YOUR LEVEL (See Fig. 1)

This Craftsman Laser Trac™ Level is a highly versatile tool.

It can be hand-held, wall-mounted or leveled on a horizontal surface or tripod stand.

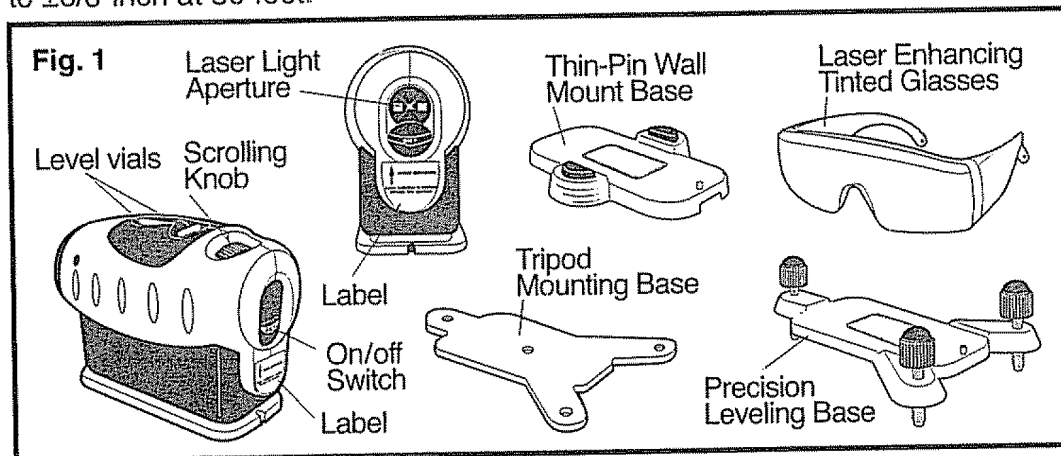
It projects a laser line that sweeps a full 90°, horizontal to vertical and all angles in between.

Performance is further enhanced in that with straight-ahead projection it will place the laser line on either side of an obstruction or on multiple surfaces.

This marking and leveling tool is easy to use in many applications from simple home decorating projects to professionally installed kitchen cabinets.

This Craftsman Laser Trac™ Level is not calibrated as a height-measuring device and should not be used as such. It will give a reference mark when used as a hand-held or wall-mounted tool.

When leveled on the Precision Leveling Base or used with the Tripod Mount (both included) it will project a level horizontal or vertical line that is accurate to $\pm 3/8$ -inch at 30 feet.



TECHNICAL SPECIFICATIONS

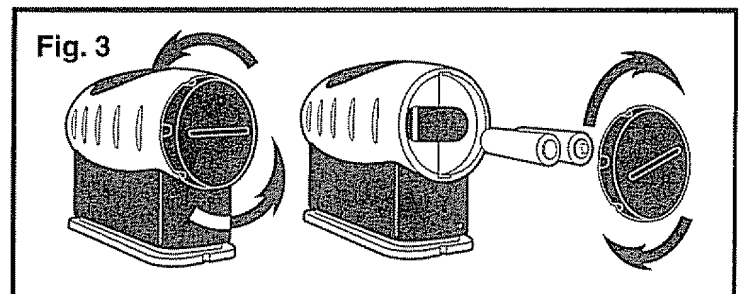
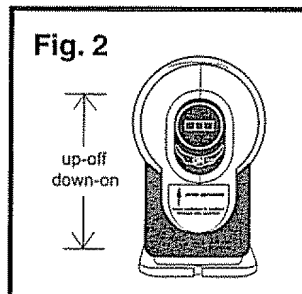
Recommended Use	Indoors
Laser Diode Type	Red Laser Diode 650 nm
Laser Class	Class IIIa, maximum power output ≤ 2.5 mW
Power Supply	2 "AA" 1.5-volt batteries
Estimated Battery Life	40 hours of continuous use with alkaline batteries
Optimum Operating Temperature Range	30°F to 104° F (-1°C to 40°C)
Accuracy	$\pm 3/8$ -in. at 30 ft.

OPERATION

TO INSTALL BATTERIES (See Figures 2 and 3)

This Laser Trac™ Level uses two "AA" batteries.

IMPORTANT: BEFORE installing the batteries, **ALWAYS** check to be sure that the on/off switch on the level is in the up off position (see Fig. 2).



1. Turn the black battery cover plate on the back of the level 1/4 turn in a counterclockwise direction and remove cover (see Fig. 3).
2. Install the batteries with the polarity as indicated on the label in the battery compartment.
3. Place the black cover plate back onto the tool and turn the plate 1/4 turn in a clockwise direction to lock.

TO TURN THE TOOL ON (See Figure 4)

The switch to turn the Laser Trac™ Level on is located on the front of the tool.

1. Move the switch down to its lowest level to turn on the laser.

⚠ WARNING: When turning on the Laser Trac™ Level **ALWAYS** be aware of protecting the eyes of yourself and those around you.

NEVER point the Laser Trac™ Level at anyone's face, including your own.

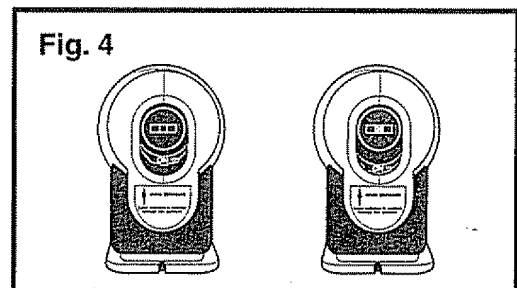
2. To turn tool off, move switch all the way up until it locks in the up position.

Using the Glasses Included

This level includes a pair of standard safety glasses that are made of a laser light enhancing material.

The primary purpose of these glasses is to improve the viewing of the tool's laser line.

⚠ WARNING: These glasses **WILL NOT** protect the eyes from damage that could result from looking directly into the laser projection.



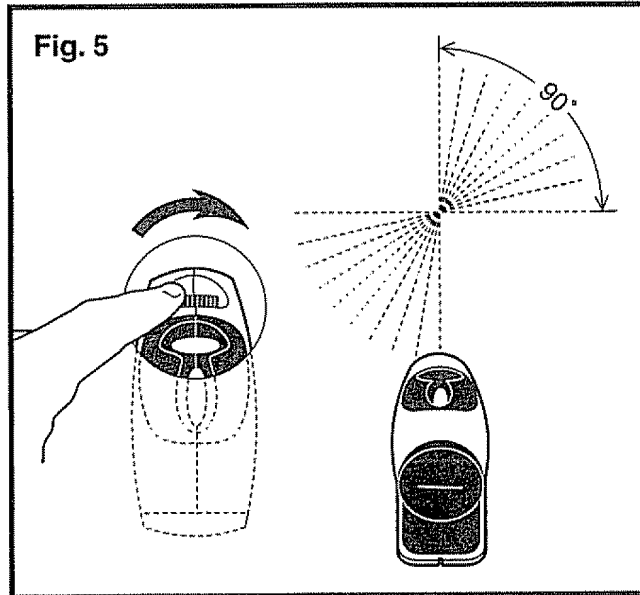
OPERATION cont.

ADJUSTING THE LASER LINE PROJECTION (See Figure 5)

The laser line projected from this tool can be adjusted 90° from vertical to horizontal and all angles in between.

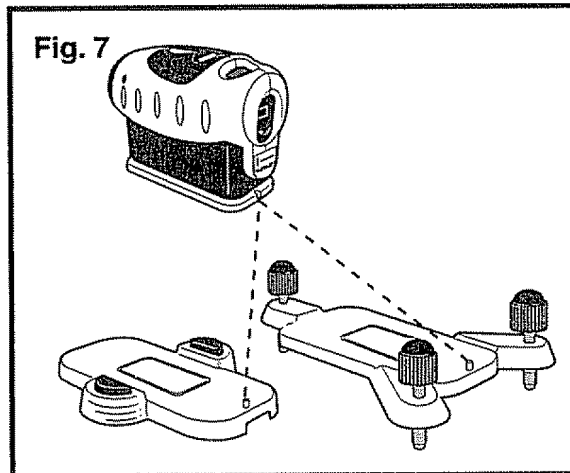
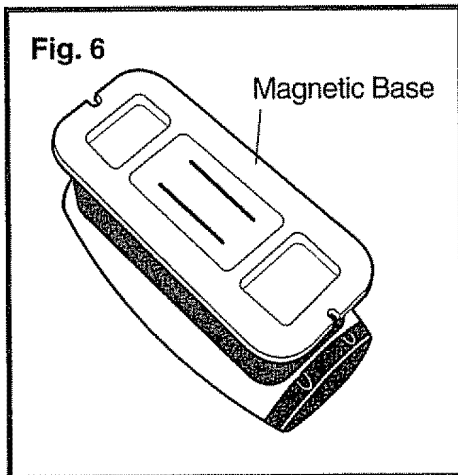
Use the black finger knob on the top of the tool to adjust angle.

1. Turn the tool on and be careful not to point the tool in the direction of anyone's eyes.
2. Move the finger knob in either direction to change the angle of the laser line on any surface directly in front of the tool.



USING THE MAGNETIC BASE (See Figures 6 and 7)

The Laser Trac™ Level has a magnetic base (see Fig. 6) that can be used with either the Thin-Pin Wall-Mount Base or the Precision Leveling Base (see Fig. 7). The magnetic base allows the tool to be mounted on any coated or uncoated 1³/₄ x 4-in flat steel surface. This feature is particularly handy for working on steel stud framework and ductwork. For further instructions on the use of this tool with the base plates see Using the Laser Trac™ Level section of this manual.

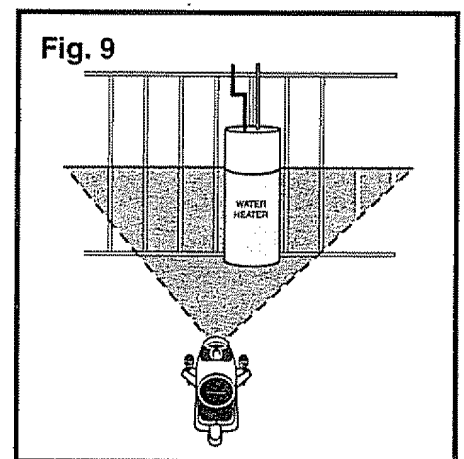
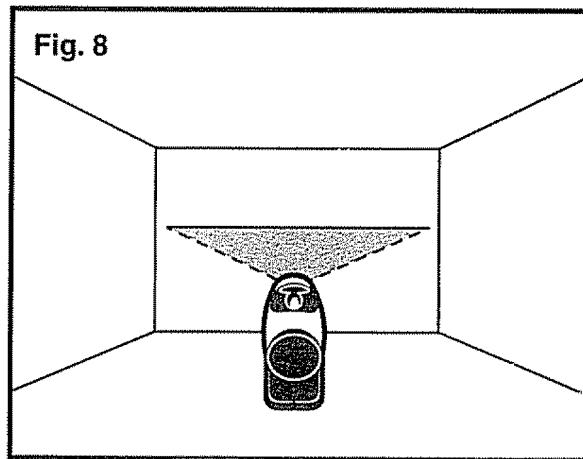


OPERATION cont.

WORKING WITH OBSTRUCTIONS AND USER INTERFERENCE (See Figures 8 and 9)

Figure 8 illustrates the nature of the laser line projected from the Laser Trac™ Level. It is actually a “plane” of laser light. This is important because obstructions and user interference that takes place in front of the device **WILL NOT** affect the laser line projected on either side of the user or obstruction.

Figure 9 illustrates the ability of the Laser Trac™ Level to provide a straight and level line on either side of a large obstruction, such as a hot water heater.

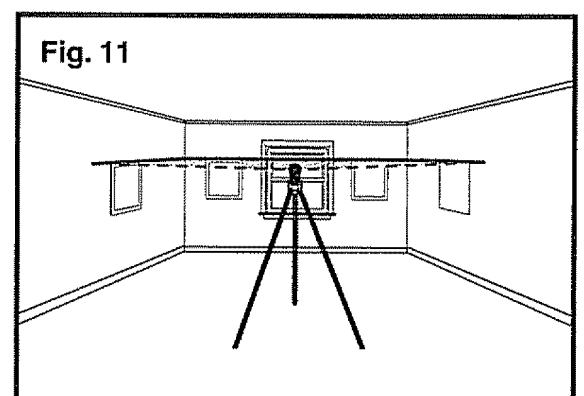
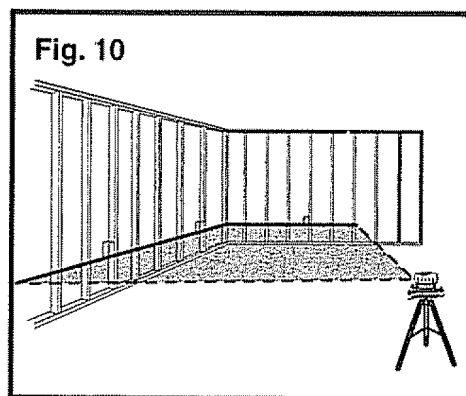


REFERENCING AND LEVELING ACROSS MULTIPLE ADJACENT SURFACES (See Figures 10 and 11)

The Laser Trac™ Level's plane of light is also useful when working with two or more adjacent surfaces.

Figure 10 illustrates its use in aligning electrical boxes on stud work with two adjoining walls.

Figure 11 illustrates pictures being aligned on multiple room walls.



OPERATION cont.

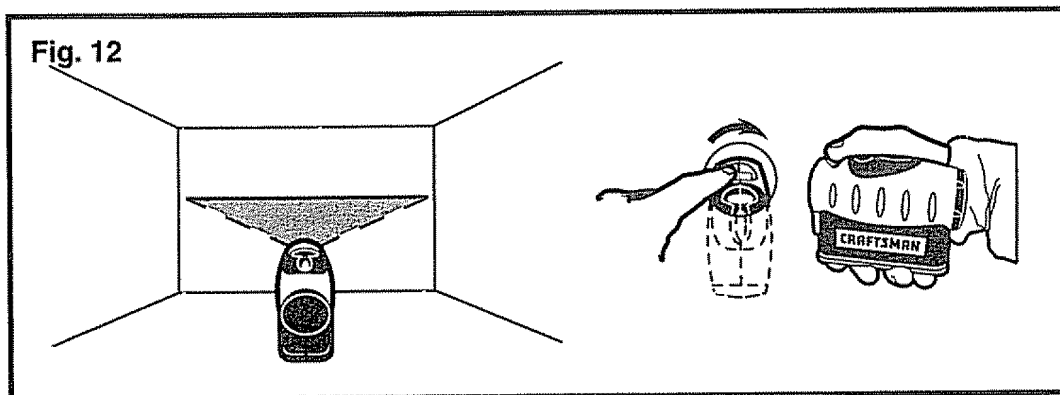
USING THE LASER TRAC™ LEVEL

This level can be easily and conveniently used in several ways. It can be hand-held, wall-mounted with the pin base or placed in the precision leveling base. Also use tripod base (included) to mount level to a tripod (not included).

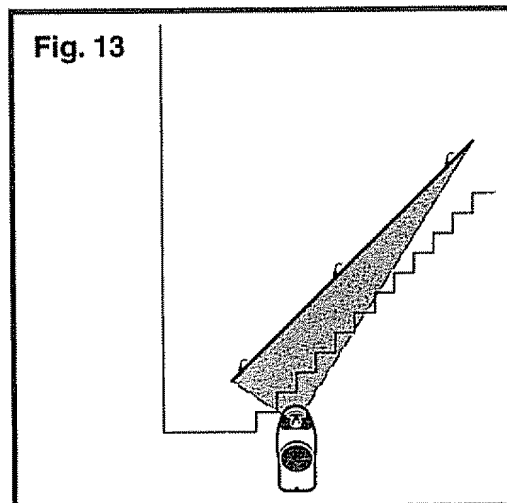
USING AS A HAND-HELD LEVEL (See Figures 12 and 13)

This level can be held in one hand for use as a straight line reference tool (as shown in Fig. 12).

It can be easily adjusted with the finger or thumb 90° from a horizontal to vertical line and all angles in between.



As a hand-held device the Laser Trac™ Level can be used for quick reference and alignment across any two points of reference such as lining up cut-outs and fixtures on drywall or checking wall paper and paint trim. Also ideal for insuring straight placement of mounted fixtures and brackets, such as stair railing fittings (as shown in Fig. 13).



OPERATION cont.

USING THE LASER TRAC™ LEVEL (cont.)

USING AS A WALL-MOUNTED LEVEL (See Figures 14 to 17)

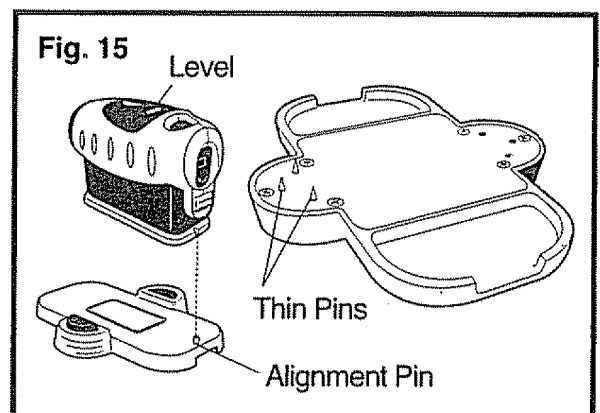
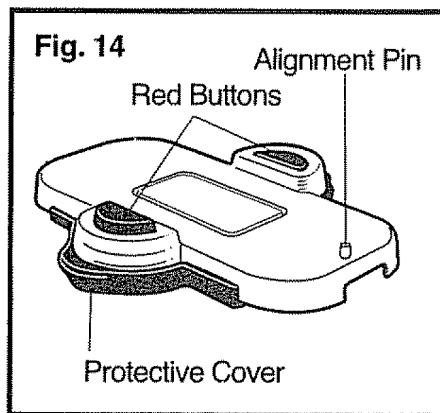
This level can also be wall-mounted using the special base included. Figures 14 and 15 show the top and bottom views of the Thin-Pin Wall-Mount Base. Figure 14 also shows the protective cover that snaps into the bottom of the base when it is not in use.

There are two red buttons on the top of the base (see Fig. 14) that are used to push the thin pins out of the base.

The thin pins (shown in Figure 15) can be driven into any softer wood or wall-board surface to secure the level.

The thin pins in this base are designed to be easily removed from the wood or wall-board surface.

This base also has an alignment pin for pivoting the tool on the base to aid in referencing two points (see Fig. 14).



MOUNTING LEVEL TO THIN-PIN WALL MOUNT BASE (See Figures 16 and 17)

1. Place level on the Thin-Pin Wall-Mount Base and slide either the front or back of the tool into and around the alignment pin.
 2. Switch the level "on". **DO NOT** point the tool in the direction of your eyes or anyone else's in the vicinity of use.
 3. Place the level and wall-mount assembly on a soft wood or wallboard surface (see Fig. 16).
 4. Align the laser line with any two measured or leveled reference points or level tool using built-in level vials for vertical or horizontal lines.
 5. Push the thin pins into the surface using the red buttons on the base plate.
- The Laser Trac™ Level can be used to align a single object or objects on one surface as shown in Figure 16.

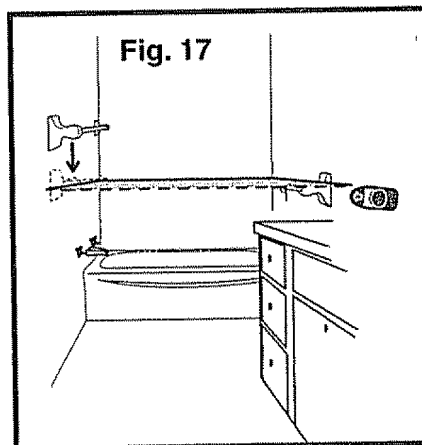
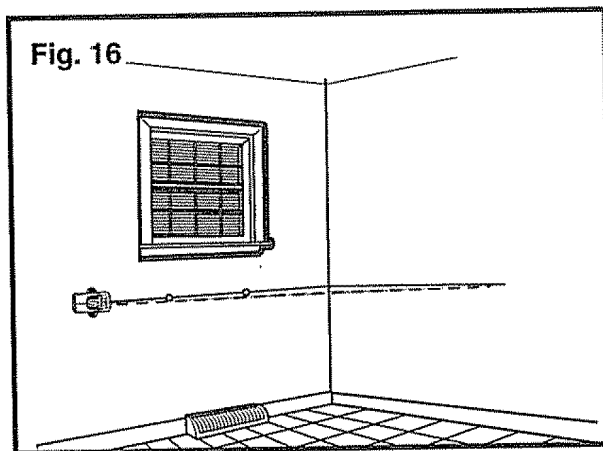
However its most effective use is for aligning multiple objects on multiple surfaces such as the alignment of bath fixtures in a tub enclosure as shown in Figure 17.

OPERATION cont.

USING THE LASER TRAC™ LEVEL (cont.)

MOUNTING LEVEL TO THIN-PIN WALL MOUNT BASE (cont.)

WARNING: DO NOT push the red buttons on the Thin-Pin Wall Mount Base unless you plan to affix the base to a soft wood or wallboard surface. This could result in injury, because the pins under the base are very sharp instruments. **ALWAYS HANDLE THIS BASE PLATE CAREFULLY. ALWAYS** use the protective cover on the base when not in use.



USING LEVEL WITH PRECISION MANUAL LEVELING BASE

This level can also be used with the Precision Manual Leveling Base for much broader applications, such as framing and aligning windows, installing track lighting, and lining up bath and kitchen cabinets.

The laser light can be used to pick up a single point of reference and project a level horizontal or vertical line accurate to $\pm 3/8$ -inch at 30 feet across the work area in front of the tool.

The laser light will accurately mark horizontal lines, vertical lines and right angles.

MOUNTING LEVEL TO PRECISION MANUAL LEVELING BASE (See Figures 18 and 19)

1. Put the level on the Precision Manual Leveling Base and slide the front of the tool into and around the alignment pin (see Figure 18).

NOTE: The Precision Manual Leveling Base can also be used attached to the Tripod Base to provide a more stable, flat surface for leveling operations.

2. Place the level with base on any flat surface in the work area.

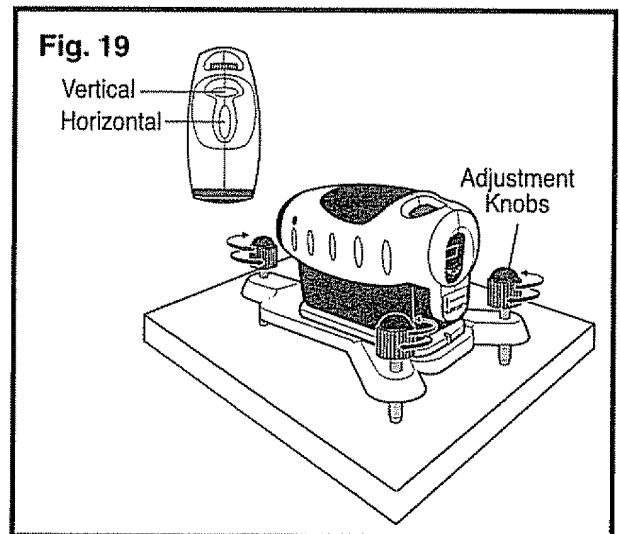
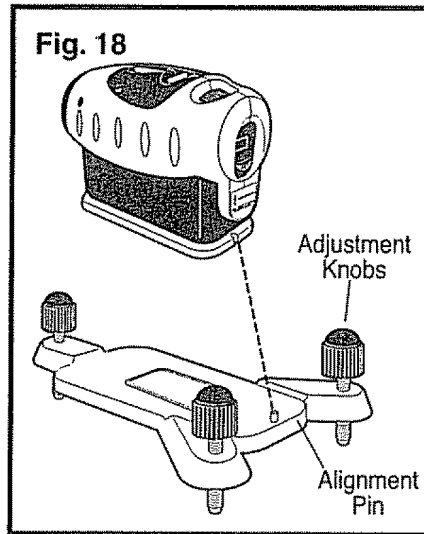
3. Turn the three black adjustment knobs to level. There are two leveling vials on top of the tool to help you level the tool (see Figure 19).

4. Switch the level "on". **DO NOT** point the tool in the direction of your eyes or anyone else's in the vicinity of use.

5. Align the laser line with your point of reference.

OPERATION cont.

USING THE LASER TRAC™ LEVEL (cont.)



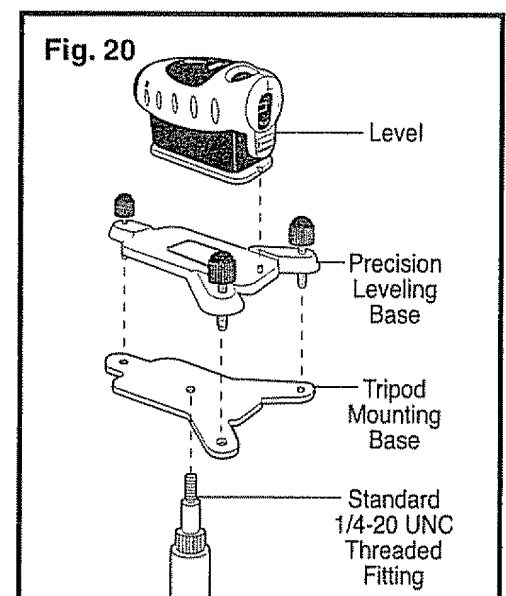
USING LEVEL WITH TRIPOD MOUNTING BASE (see Figure 20)

This level can also be used with the Tripod Mounting Base that securely mounts level to any tripod (not included). This provides even more flexibility in the set up and use of the laser level.

The use of a tripod with this tool is ideal for leveling kitchen cabinets, countertops, window framing, plate rails and more,

MOUNTING LEVEL TO TRIPOD MOUNTING BASE (see Figure 20)

1. Put the level on the Precision Manual Leveling Base and slide the front of the tool into and around the alignment pin (see Figure 20).
2. Place the level and leveling base onto the Tripod Mounting Base and turn the three black adjustment knobs to mount to tripod base (see Figure 20).
3. Attach tripod base to tripod using the standard 1/4-20 UNC threaded fitting included with tripod (see Figure 20).
4. Switch the level "on". **DO NOT** point the tool in the direction of your eyes or anyone else's in the vicinity of use.
5. Align the laser line with your point of reference.

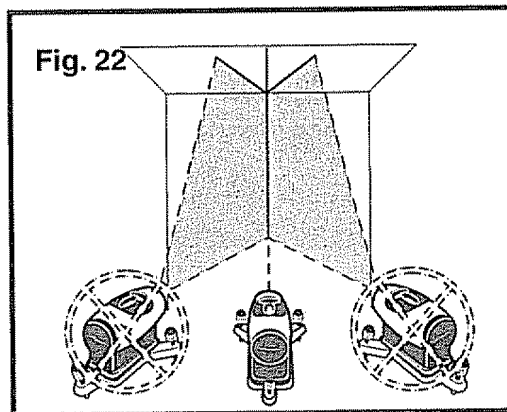
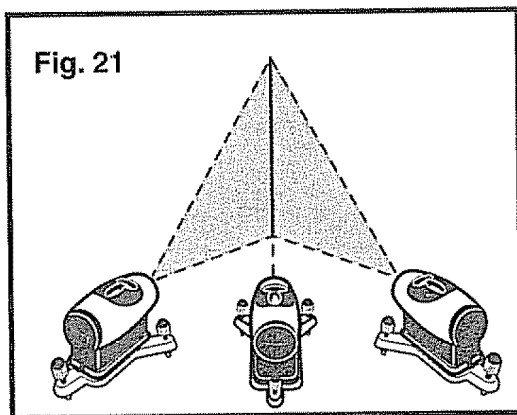


OPERATION cont.

PROJECTING LEVEL VERTICAL LASER LINES (see Figures 21 and 22)

When used with the Precision Leveling Base the Laser Trac™ Level will project a plumb vertical line on the surface directly in front of the tool from any angle in the room (see Figure 21).

However, if you want to project a straight vertical line across two or more adjacent surfaces (e.i. walls or ceilings), the Level and Precision Leveling Base must be positioned directly in front of the work area to prevent the tool from projecting an adjacent line that is at the same angle as the tool projection angle (see Figure 22).

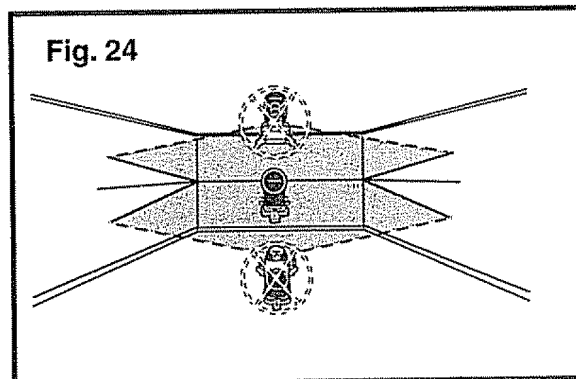
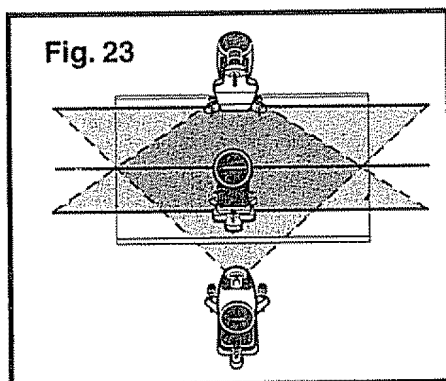


PROJECTING LEVEL HORIZONTAL LASER LINES (see Figures 23 and 24)

When used with the Precision Leveling Base the Laser Trac™ Level will project a level horizontal line on the surface directly in front of the tool for any height the tool is set and horizontally leveled (see Figure 23).


If you only want to project a level horizontal line on one surface, the tool can be angled to line up with the mark or reference point (see Figure 23).

To project a straight horizontal line across two or more adjacent surfaces, the Level and Precision Leveling Base must be precisely leveled using both leveling vials on the tool. This will align the level to the same height of the reference point which prevents the tool from projecting an adjacent line that is at the same angle as the tool projection angle (see Figure 24).



MAINTENANCE

This level has been designed to be a low-maintenance tool. However, in order to maintain its performance, you must **ALWAYS** follow these simple directions.

1. **ALWAYS** handle the tool with care. Treat it as you would any optical device, such as a camera or binoculars.
 2. **AVOID** exposing the level to shock, continuous vibration or extreme hot or cold temperatures.
 3. **ALWAYS** store the level indoors. When not in use, **ALWAYS** store the level in its protective case.
 4. When you are finished using the tool, **ALWAYS** make sure that the switch cover plate is in the full up and protected position.
 5. **ALWAYS** keep the level free of dust and liquids. Use a damp cloth and mild soap to clean the tool. If needed, **ONLY USE** a soft cloth or cotton swab and glass cleaner to clean the lens.
-  **WARNING: ALWAYS** remove the batteries when cleaning lens.
6. **ALWAYS** clean and thoroughly dry the tool after each use.
 7. Check the batteries regularly to avoid deterioration. **ALWAYS** remove the batteries from the tool, if it is not going to be used for an extended period of time.
 8. Replace the batteries after approximately 40 hours of use.
 9. **DO NOT** disassemble the Laser Trac™ level. This will not only void the warranty, but could expose the user to hazardous radiation exposure.
 10. **DO NOT** modify the tool in any way or use the tool with products and/or accessories not specified by Sears, this could expose the user to hazardous laser radiation exposure.
 11. **DO NOT** attempt to change any part of the laser lens.
 12. Tool service **MUST BE** performed only by a Sears Parts and Repair Center. Service or maintenance performed by unqualified personnel could result in a risk of injury.

TROUBLESHOOTING

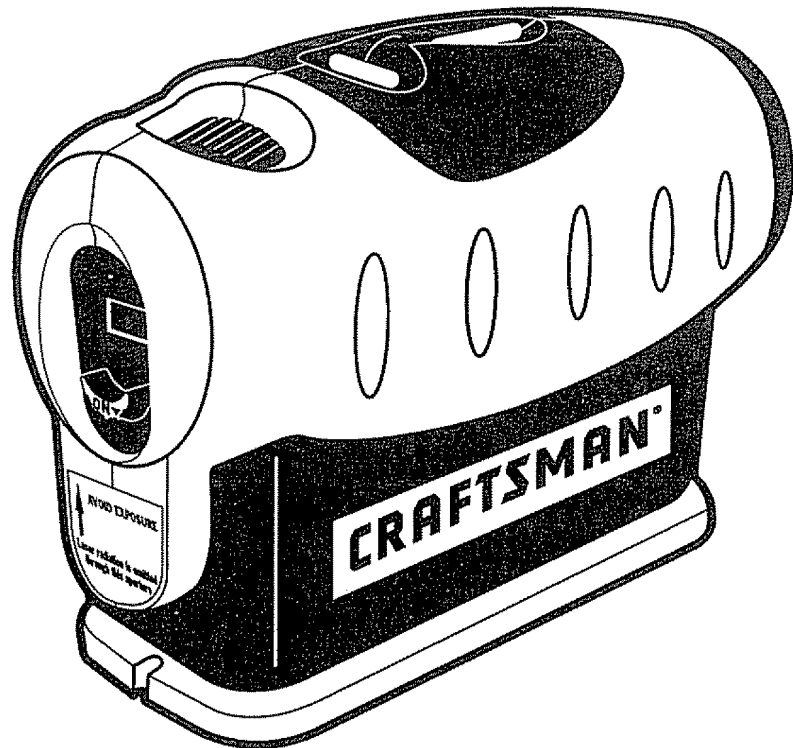
PROBLEM	CAUSE	SOLUTION
Laser line projection is weak.	Batteries are weak.	Replace with fresh batteries
Laser line is hard to see.	Light in area is too bright	Use laser enhancing glasses.
Laser line is not projected.	Power switch is not "on".	Check to be sure the power switch cover is in the full down or "on" position.
Laser line projected is not level.	<ol style="list-style-type: none">1. Thumb knob is not in correct position.2. Level is mounted on the thin-pin wall mounting base.3. Level is mounted on the precision leveling base, but the base is no longer level.	<ol style="list-style-type: none">1. Adjust thumb knob.2. Align the tool using two points of reference in the work area or place the tool on the precision leveling base.3. Check the leveling vials on the top of the tool, and adjust the three base plate knobs to bring the tool back into a level position.

Manual del Usuario



NIVEL 4 en 1 con Laser Trac^{MR}

Modelo No.
320.48251



⚠ ATENCION: Antes de usar este producto, lea, comprenda y siga todas las reglas de seguridad y las instrucciones de funcionamiento incluidas en este manual.

- SEGURIDAD
- FUNCIONAMIENTO
- MANTENIMIENTO

Sears, Roebuck and Co., Hoffman Estates, IL 60179 U.S.A.

TABLA DE MATERIAS

Garantía.....	Página	18
Instrucciones de Seguridad.....	Página	19
Descripción.....	Página	20
Funcionamiento.....	Páginas	21 - 28
Mantenimiento.....	Página	29
Solución de Averías.....	Página	30
Números de Servicio.....	Contraportada	

GARANTIA COMPLETA DE UN AÑO DEL NIVEL LASER CRAFTSMAN


Si este nivel láser CRAFTSMAN no le otorga completa satisfacción dentro de un año de la fecha de compra, DEVUELVALO AL ALMACEN SEARS MAS CERCANO EN LOS ESTADOS UNIDOS y Sears lo reemplazará gratuitamente.


Si este nivel láser CRAFTSMAN se usa para propósitos comerciales o de arriendo, esta garantía es válida solamente durante 90 días desde la fecha de compra.


Esta garantía le otorga derechos legales específicos y usted además puede tener otros derechos que varían de un estado a otro.
Sears, Roebuck and Co., Dept. 817 WA, Hoffman Estates, IL 60179


¡CONSERVE ESTAS INSTRUCCIONES!
¡LEA TODAS LAS INSTRUCCIONES!

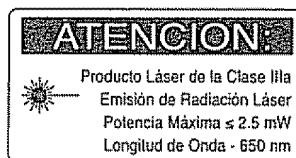
INSTRUCCIONES DE SEGURIDAD

 **ADVERTENCIA:** ASEGURESE de leer y comprender todas las instrucciones de seguridad indicadas en este manual. El incumplimiento de todas las instrucciones indicadas a continuación puede resultar en exposición peligrosa a radiación, choque eléctrico, incendio y/o lesión personal.

 **ATENCION:** El uso de controles o ajustes o la ejecución de procedimientos no especificados en este manual puede resultar en exposición peligrosa a radiación.

 **ATENCION:** El uso de algún instrumento óptico con este producto aumentará los peligros oculares.

 **IMPORTANTE:** La etiqueta siguiente ha sido colocada en su nivel. Indica el lugar por donde el nivel emite la luz láser. **SIEMPRE ESTE CONSCIENTE** de su ubicación cuando use el nivel. **SIEMPRE ASEGURESE** de informar a cualquier espectador que se encuentre en la vecindad de uso, acerca de los peligros inminentes al mirar directamente la luz láser.



¡ADVERTENCIA! LUZ LASER. RADIACION LASER

Evite exposición directa de los ojos. No mire fijamente el rayo láser.

- NO** retire ni deteriore ninguna de las etiquetas del producto. Si se retiran las etiquetas del producto se aumenta el riesgo de exposición a radiación láser.
- NO** mire directamente al rayo láser ni apunte el rayo láser directamente a los ojos de otras personas. Se puede causar una lesión ocular grave.
- NO** coloque el nivel Laser Trac^{MR} de manera que alguna persona pueda tener que mirar intencional o accidentalmente el rayo láser. Se puede causar una lesión ocular grave.
- NO** use ninguna herramienta óptica de aumento tal como, pero sin limitar, telescopios ni teodolitos para ver el rayo láser. Se puede causar una lesión ocular grave.
- NO** trabaje con el nivel Laser Trac^{MR} cerca de los niños ni permita que los niños usen la herramienta. Se puede causar una lesión ocular grave.
- SIEMPRE** apague el nivel Laser Trac^{MR} cuando no esté en uso. Si deja la herramienta encendida se aumenta el riesgo de que alguien inadvertidamente mire en el rayo láser.
- NO** use el nivel Laser Trac^{MR} en áreas combustibles, tales como en presencia de polvo, gases o líquidos inflamables.
- NO** oprima los botones rojos de la Base de Montaje Mural con Clavijas Delgadas a menos que usted vaya a instalar la base en una superficie de madera blanda o en tablas de fibra prensada. Esto podría causar una lesión pues las clavijas debajo de la base son instrumentos muy afilados. **SIEMPRE MANIPULE ESTA PLACA DE BASE CON MUCHO CUIDADO. SIEMPRE** use la cubierta protectora en la base cuando no esté en uso.
- Cuando use una de las placas de base con el nivel Laser Trac^{MR}, **SIEMPRE** cerciórese de que la herramienta esté firmemente instalada en la base. Se puede causar daño a la herramienta y/o una lesión grave para el usuario si la herramienta se cae.
- SIEMPRE** use solamente los accesorios recomendados por Sears para usar con el nivel Laser Trac^{MR}. El uso de accesorios que han sido diseñados para usar con otras herramientas láser puede causar una lesión grave.
- NO** use el nivel Laser Trac^{MR} para ningún otro propósito que no sean los indicados en este manual. Esto podría causar una lesión grave.

DESCRIPCION

CONOZCA SU NIVEL (Ver Fig. 1)

Este nivel Laser Trac^{MR} Craftsman es una herramienta muy versátil.

Puede sostenerse en la mano, montarse en la pared, colocarse en una superficie horizontal o montar en un trípode.

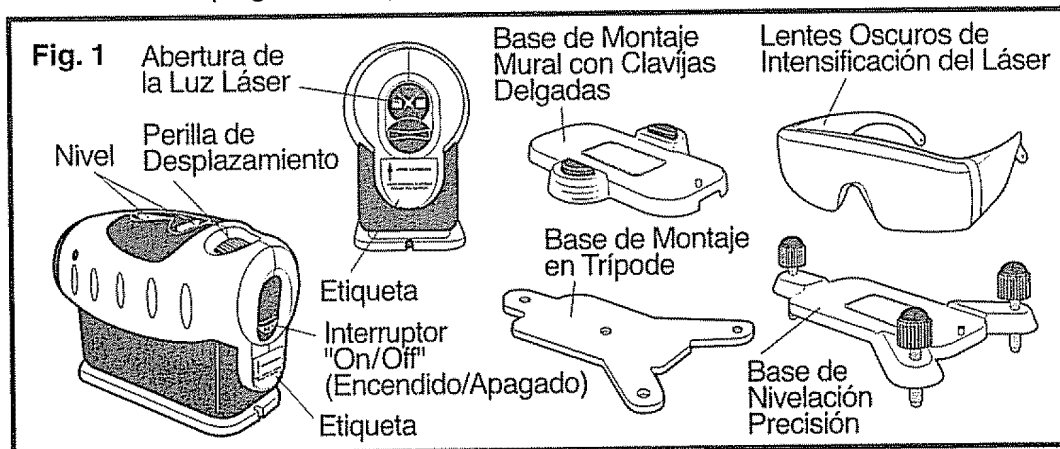
Proyecta una línea láser que recorre 90° completos desde la posición horizontal a la vertical y todos los ángulos intermedios.

El funcionamiento se mejora aún más al usarlo en proyección de frente ya que coloca la línea láser en ambos lados de una obstrucción o en superficies múltiples.

Esta herramienta de marcación y nivelación es fácil de usar en muchas aplicaciones, ya sea en proyectos sencillos de decoración del hogar hasta instalación profesional de armarios de cocina.

Este nivel Laser Trac^{MR} Craftsman no está calibrado como un dispositivo de medición de altura y no debe usarse como tal. Proporcionará una marca de referencia exacta cuando se usa como una herramienta de mano o se instala en la pared.

Cuando se usa con la Base de Nivelación a Precisión o con el Soporte de Trípode (ambos incluidos), proyectará una línea horizontal o vertical nivelada que es exacta $\pm 3/8$ pulgada a 30 pies.



ESPECIFICACIONES TECNICAS

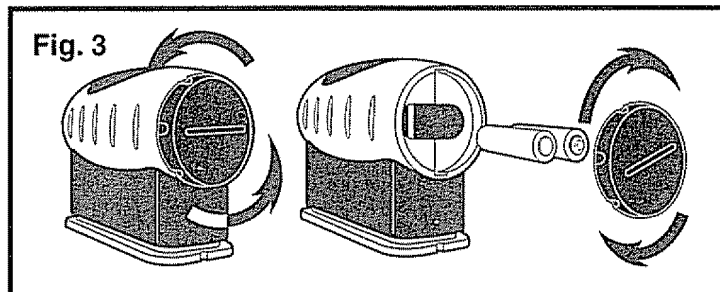
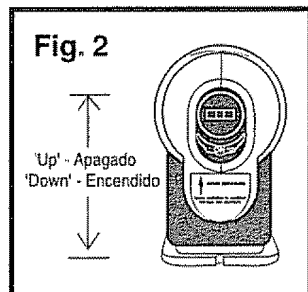
Uso Recomendado	En el Interior
Tipo de Diodo Láser	Diodo Láser Rojo - 650 nm
Clase del Láser	Clase IIIa, potencia máxima $\leq 2,5$ mW
Suministro Eléctrico	2 pilas "AA" de 1,5-voltios
Vida Util Estimada de la Pila	40 horas de uso continuo con pilas alcalinas
Límite Optimo de Temperatura de Operación	30°F a 104° F (-1°C a 40°C)
Exactitud	$\pm 3/8$ pulg. a 30 pies

FUNCIONAMIENTO

INSTALACION DE LAS PILAS (Ver Figuras 2 y 3)

Este nivel Laser Trac^{MR} usa dos pilas "AA".

IMPORTANTE: ANTES de instalar las pilas, **SIEMPRE** compruebe si el interruptor 'on/off' (encendido/apagado) está en posición hacia arriba (apagado) (ver Fig. 2).



1. Gire la tapa negra de la pila situada en la parte trasera del nivel 1/4 de vuelta a la izquierda y retire la tapa (ver Fig. 3).
2. Instale las pilas con la polaridad indicada en la etiqueta en el compartimiento de la pila.
3. Coloque nuevamente la tapa negra en la herramienta y gírela 1/4 de vuelta a la derecha para bloquearla.

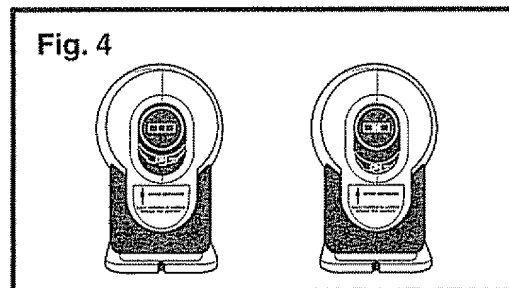
PARA ENCENDER LA HERRAMIENTA (Ver Figura 4)

El interruptor usado para encender el nivel Laser Trac^{MR} se encuentra en la parte delantera de la herramienta.

1. Mueva la cubreplaca del interruptor hacia abajo hasta la posición más inferior para encender el láser.

⚠ ADVERTENCIA: Cuando encienda el nivel Laser Trac^{MR} **SIEMPRE** asegúrese de proteger sus ojos y los de las personas que estén cerca suyo.
NUNCA apunte el nivel Laser Trac^{MR} a la cara de ninguna persona, ni a la suya.

2. Para apagar la herramienta, mueva la cubreplaca del interruptor completamente hacia arriba hasta que se bloquee en la posición 'up' (Off - Apagado)



Uso de los Lentes Provistos

Con este nivel se incluye un par de lentes protectores estándares que están hechos de un material que intensifica la luz láser.

El propósito primordial de estos lentes es mejorar la visión de la línea láser de la herramienta.

⚠ ADVERTENCIA: Estos lentes **NO** protegerán los ojos contra daño que podría resultar al mirar directamente la proyección del láser.

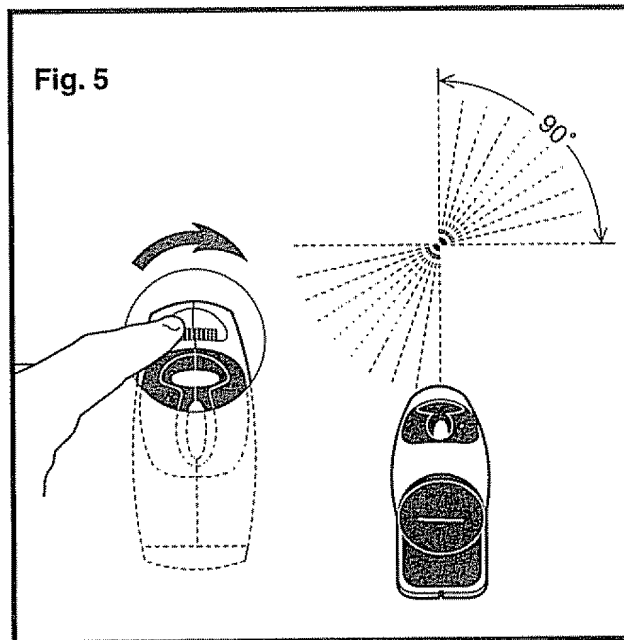
FUNCIONAMIENTO cont.

AJUSTE DE LA PROYECCION DE LA LINEA LASER (Ver Figura 5)

La línea láser proyectada desde esta herramienta puede ser ajustada 90° desde la posición vertical a la horizontal y en todos los ángulos intermedios.

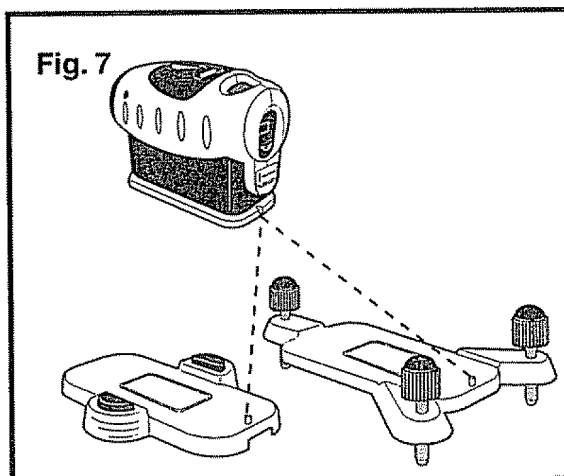
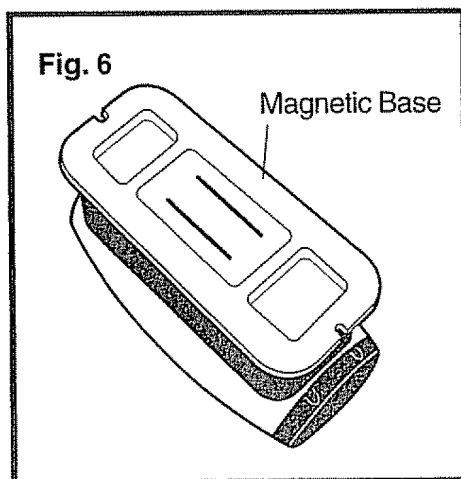
Use el botón corredizo negro situado en la parte superior de la herramienta para ajustar el ángulo.

1. Encienda la herramienta y tenga cuidado de no apuntarla a los ojos de ninguna persona.
2. Mueva el botón en cualquier dirección para cambiar el ángulo de la línea láser en cualquier superficie directamente en frente de la herramienta.



USO DE LA BASE MAGNETICA (Ver Figuras 6 y 7)

El nivel Laser Trac^{MR} tiene una base magnética (ver Fig. 6) que puede ser usada ya sea con la Base de Montaje Mural con Clavijas Delgadas o con la Base de Nivelación a Precisión (ver Fig. 7). La base magnética permite que la herramienta pueda ser instalada en cualquier superficie plana de acero, revestida o no revestida, de 1³/₄ x 4 pulgadas. Esta característica es particularmente conveniente para trabajar en estructuras de montantes de acero y canalizaciones. Para mayor información sobre el uso de esta herramienta con las placas de base consulte la sección Uso del Nivel Laser Trac^{MR} en este manual.

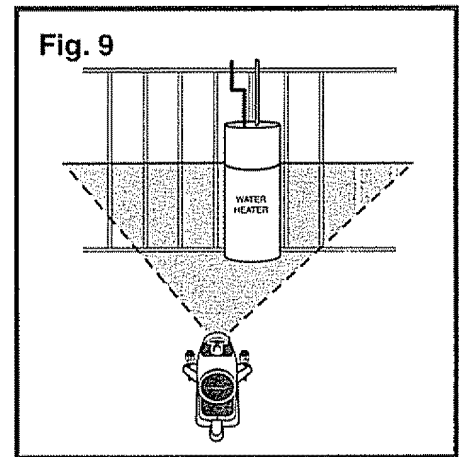
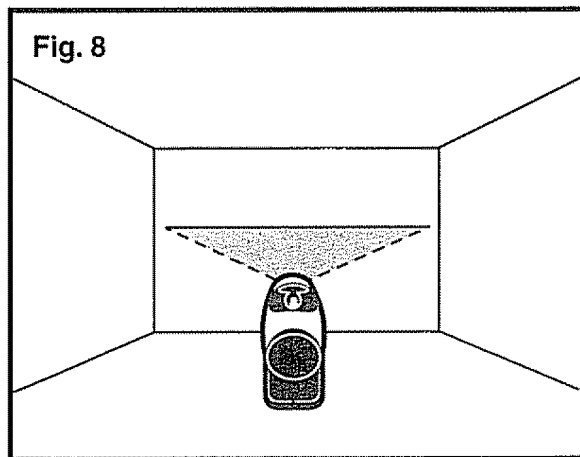


FUNCIONAMIENTO cont.

TRABAJANDO CON OBSTRUCCIONES E INTERFERENCIA DEL USUARIO (Ver Figuras 8 y 9)

La Figura 8 ilustra la naturaleza de la línea láser proyectada desde el nivel Trac^{MR}. Es en realidad un "plano" de luz láser. Esto es importante porque las obstrucciones e interferencias del usuario que ocurran en frente del dispositivo **NO** afectarán la línea láser proyectada en ambos lados del usuario o de la obstrucción.

La Figura 9 ilustra la habilidad del nivel Laser Trac^{MR} de proyectar una línea derecha y nivelada en ambos lados de una obstrucción grande, tal como de un calorífero de agua caliente.

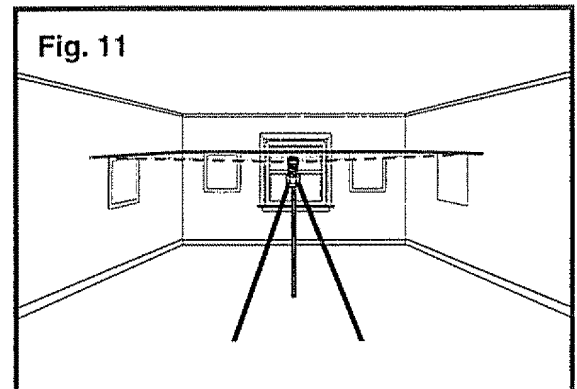
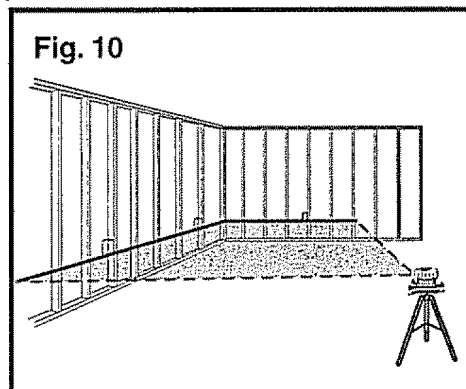


REFERENCIACION Y NIVELACION A TRAVES DE SUPERFICIES ADYACENTES MULTIPLES (Ver Figuras 10 y 11)

El plano de luz del nivel Laser Trac^{MR} es también útil cuando se trabaja con dos o más superficies adyacentes.

La Figura 10 ilustra su uso al alinear cajas eléctricas en montantes con dos paredes adyacentes.

La Figura 11 ilustra algunos cuadros que están siendo alineados en varias paredes de una habitación.



FUNCIONAMIENTO cont.

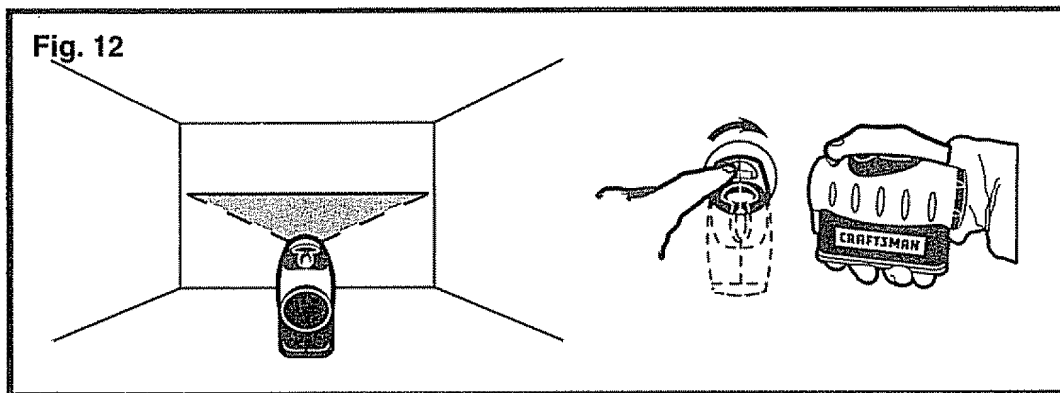
USO DEL NIVEL LASER TRAC^{MR}

Este nivel puede ser fácil y convenientemente usado de varias maneras. Puede ser usado en la mano, montado en la pared con la base provista de clavijas delgadas o colocado en la base de nivelación a precisión. Además use la base para trípode (incluida) para instalar el nivel en un trípode (no incluido).

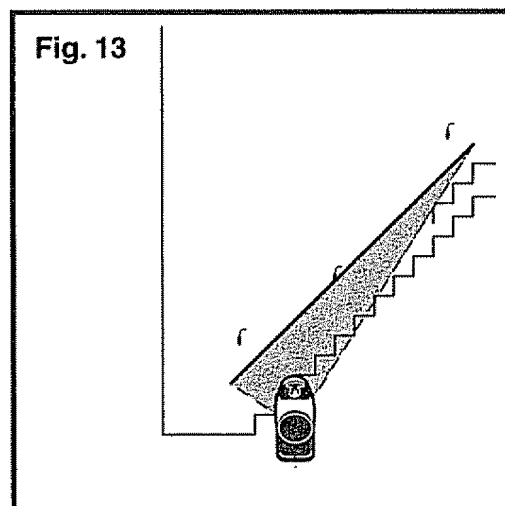
USO COMO UN NIVEL DE MANO (Ver Figuras 12 y 13)

Este nivel puede ser sostenido en una mano para uso como una herramienta de referencia de línea derecha (como se muestra en la Fig. 12).

Puede ser ajustado fácilmente con el dedo o el pulgar 90° desde una línea horizontal a una vertical y en todos los ángulos intermedios.



Como un dispositivo de mano, el nivel Laser Trac^{MR} puede ser usado para referencia y alineamiento rápido a través de dos puntos de referencia, tal como alineamiento de aberturas y accesorios en drywall, verificación de bordes divisores en empapelados y pintura de paredes. También es ideal para asegurar la colocación derecha de soportes y artefactos montados, tales como accesorios de balaustradas de escaleras (como se muestra en la Fig. 13).



FUNCIONAMIENTO cont.

USO DEL NIVEL LASER TRAC^{MR} cont.

USO COMO UN NIVEL MURAL (Ver Figuras 14 a 17)

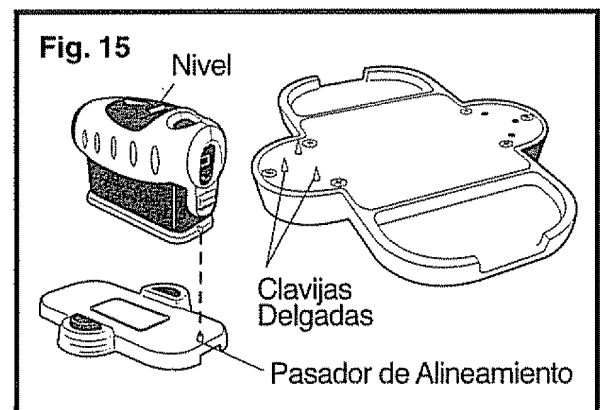
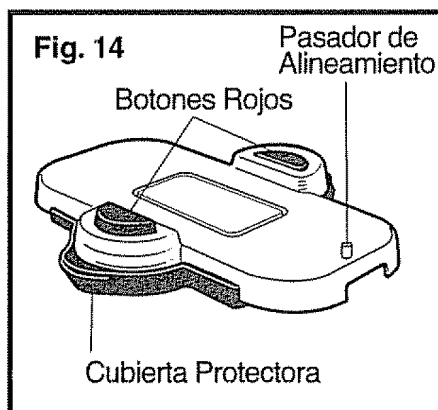
Este nivel también puede usarse montado en la pared usando la base especial que se incluye. Las Figuras 14 y 15 muestran una vista superior e inferior de la Base de Montaje Mural con Clavijas Delgadas. La Figura 14 también muestra la cubierta protectora que se coloca a presión en la parte inferior de la base, cuando no está en uso.

Hay dos botones rojos en la parte superior de la base (ver Fig. 14) que se usan para empujar hacia fuera las clavijas delgadas de la base.

Las clavijas delgadas (mostradas en la Figura 15) pueden ser clavadas en cualquier superficie blanda de madera o fibra prensada para asegurar el nivel.

Las clavijas delgadas de esta base han sido diseñadas para ser retiradas con facilidad de la superficie de madera o de fibra prensada.

Esta base también tiene un pasador de alineamiento para pivotear la herramienta en la base a fin de ayudar a referenciar dos puntos (ver Fig. 14).



MONTAJE DEL NIVEL EN LA BASE DE MONTAJE MURAL CON CLAVIJAS DELGADAS (Ver Figuras 16 y 17)

1. Coloque el nivel en la Base de Montaje Mural con Clavijas Delgadas y deslice ya sea la parte delantera o trasera de la herramienta en y alrededor del pasador de alineamiento.
2. Encienda el nivel. **NO** apunte la herramienta en dirección a sus ojos ni a los ojos de otras personas que estén cerca del área de uso.
3. Coloque el conjunto del nivel y de la base en una superficie de madera blanda o fibra prensada (ver Fig. 16).
4. Alinee la línea láser con cualquiera de dos puntos de referencia medidos o nivelados, o nivele la herramienta usando las dos ampollas incorporadas para líneas verticales u horizontales.
5. Oprima los botones rojos de la placa de base para clavar las clavijas delgadas en la superficie.

El nivel Laser Trac^{MR} puede usarse para alinear un solo objeto o varios objetos en una superficie, como se muestra en la Figura 16.

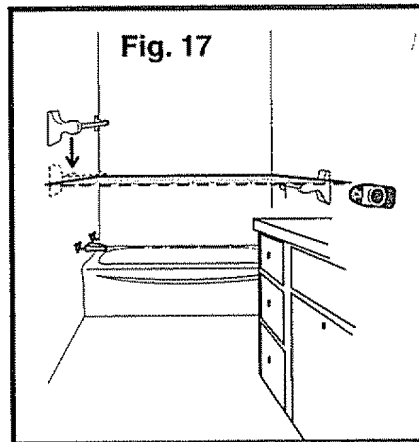
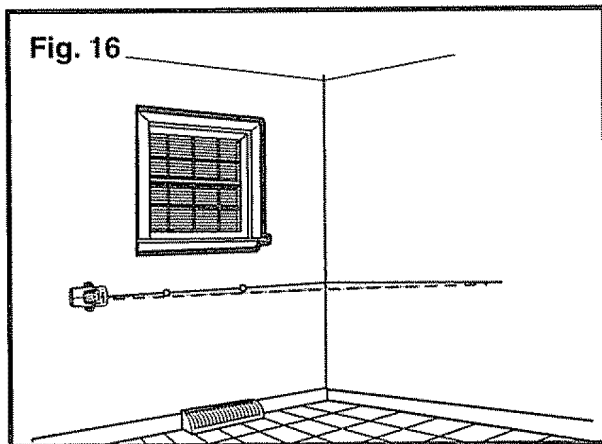
Sin embargo, su uso más eficaz es alinear objetos múltiples en superficies múltiples, tal como alineamiento de accesorios de baño en el recinto de la bañera, como se muestra en la Figura 17.

FUNCIONAMIENTO cont.

USO DEL NIVEL LASER TRAC^{MR} cont.

MONTAJE DEL NIVEL EN LA BASE DE MONTAJE MURAL CON CLAVIJAS DELGADAS cont.

ADVERTENCIA: NO oprima los botones rojos situados en la Base de Montaje Mural con Clavijas Delgadas a menos que usted planea instalar la base en una superficie de madera blanda o fibra prensada. De lo contrario, esto podría causar una lesión pues las clavijas de la base son muy afiladas. **SIEMPRE MANIPULE CON MUCHO CUIDADO ESTA PLACA DE BASE. SIEMPRE** use la cubierta protectora en la base cuando no esté en uso.



USO DEL NIVEL CON LA BASE DE NIVELACION MANUAL A PRECISION

Este nivel puede además usarse con la Base de Nivelación Manual a Precisión para aplicaciones más amplias, tales como enmarcación y alineamiento de ventanas, instalación de rieles de iluminación y armarios de cocinas.

La luz láser puede ser usada para captar un solo punto de referencia y proyectar una línea horizontal o vertical exacta dentro de $\pm 3/8$ pulgada a 30 pies a través del área de trabajo en frente de la herramienta.

La luz láser proyectará con exactitud líneas horizontales, líneas verticales y ángulos rectos.

MONTAJE DEL NIVEL EN LA BASE DE NIVELACION MANUAL A PRECISION (Ver Figuras 18 y 19)

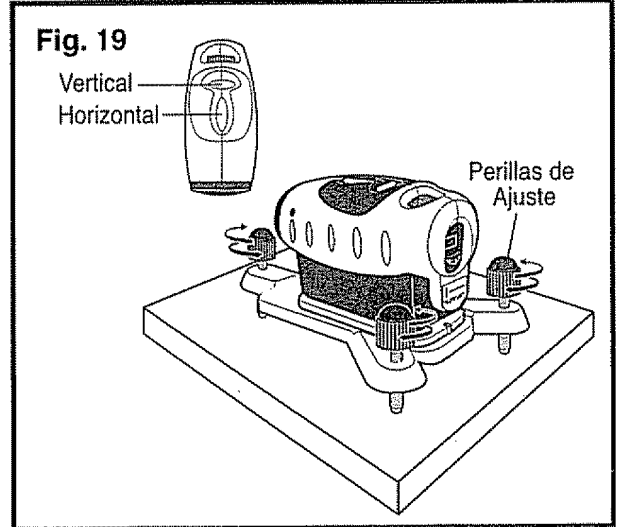
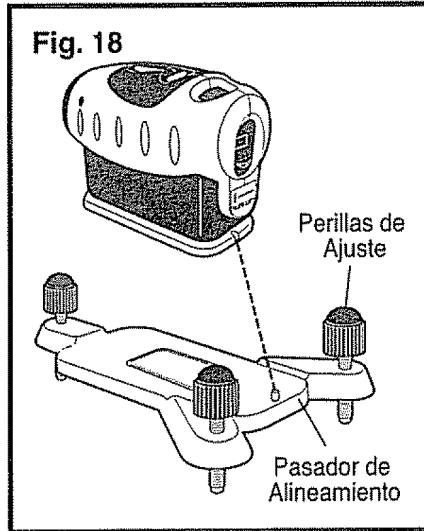
1. Coloque el nivel en la Base de Nivelación Manual a Precisión e inserte la parte delantera de la herramienta en y alrededor del pasador de alineamiento (ver Figura 18).

NOTA: La Base de Nivelación Manual a Precisión también puede utilizarse con la Base para Trípode para proveer una superficie plana más estable para las operaciones de nivelación.

2. Coloque el nivel con la base en cualquier superficie plana en el área de trabajo.
3. Para nivelar, gire las tres perillas negras de ajuste. Existen dos ampollas de nivelación en la parte superior de la herramienta para ayudarlo a nivelar la herramienta (ver Figura 19).
4. Encienda el nivel. **NO** apunte la herramienta en dirección a sus ojos ni a los de otras personas que estén cerca del área de uso.
5. Alinee la línea láser con su punto de referencia.

FUNCIONAMIENTO cont.

USO DEL NIVEL LASER TRAC^{MR} cont.



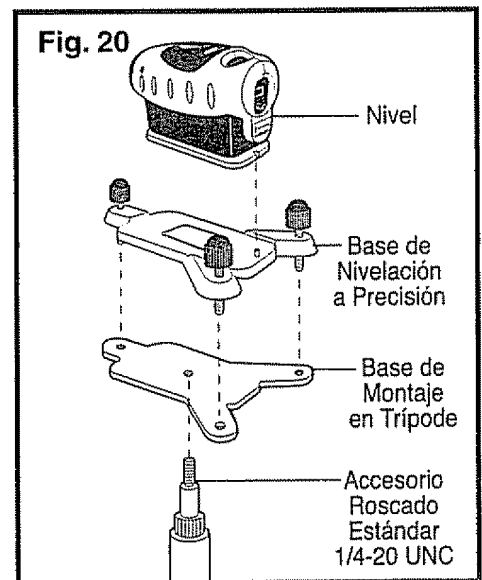
USO DEL NIVEL CON LA BASE DE MONTAJE EN TRIPODE (ver Figura 20)

Este nivel también puede ser usado con la Base de Montaje en Trípode que permite la instalación del nivel en un trípode (no incluido). Esto proporciona aún más flexibilidad en el ajuste y uso del nivel láser.

El uso de un trípode con esta herramienta es ideal para la nivelación de armarios de cocina, meseras, marcos de ventanas, rieles de exhibición de platos y más.

MONTAJE DEL NIVEL EN LA BASE DE MONTAJE EN TRIPODE (ver Figura 20)

1. Coloque el nivel en la Base de Nivelación Manual a Precisión e inserte la parte delantera de la herramienta en y alrededor del pasador de alineamiento (ver Figura 20).
2. Coloque el nivel y la Base de Nivelación en la Base de Montaje en Trípode y gire las tres perillas negras de ajuste para montarlo en la base de trípode (ver Figura 20).
3. Instale la base de trípode en el trípode usando un accesorio roscado estándar 1/4-20 UNC incluido con el trípode (ver Figura 20).
4. Encienda el nivel. **NO** apunte la herramienta en dirección a sus ojos ni a los de otras personas que estén cerca del área de uso.
5. Alinee la línea láser con su punto de referencia.

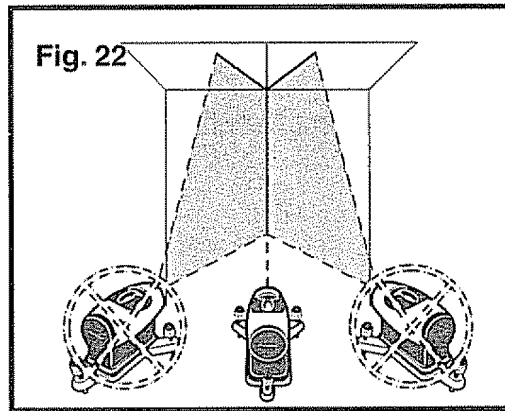
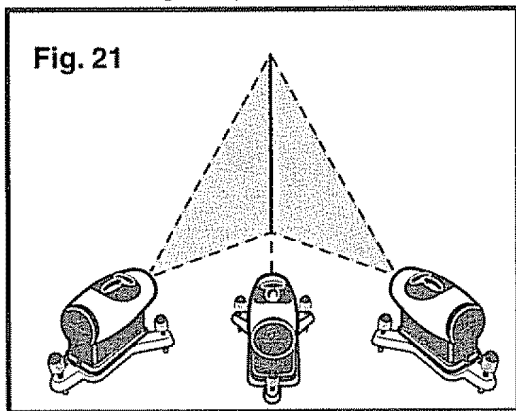


FUNCIONAMIENTO cont.

PROYECCION DE LINEAS LASER DE NIVEL VERTICALES (ver Figuras 21 y 22)

Cuando se utiliza con la Base de Nivelación a Precisión, el nivel Laser Trac^{MR} proyectará una línea de nivel vertical a plomo en la superficie directamente en frente de la herramienta desde cualquier ángulo de la habitación (ver Figura 21).

Sin embargo, si usted desea proyectar una línea vertical derecha a través de dos o más superficies adyacentes, (por ej. paredes y cielo raso), el nivel y la Base de Nivelación a Precisión deben ser colocados directamente en frente del área de trabajo a fin de evitar que la herramienta proyecte una línea adyacente que esté en el mismo ángulo que el ángulo de proyección de la herramienta (ver Figura 22).

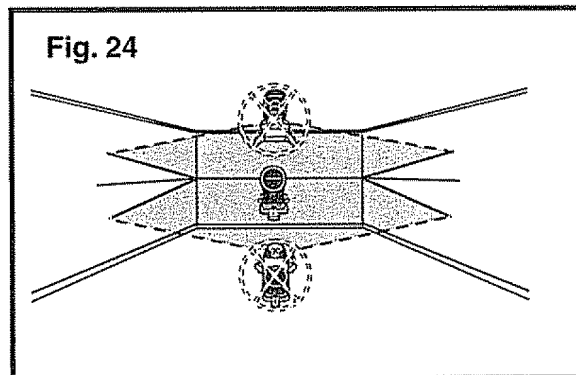
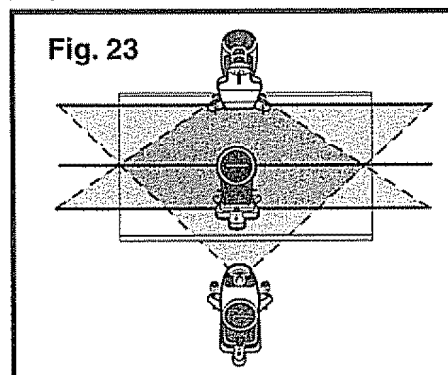


PROYECCION DE LINEAS LASER DE NIVEL HORIZONTALES (ver Figuras 23 y 24)

Cuando se utiliza con la Base de Nivelación a Precisión, el nivel Laser Trac^{MR} proyectará una línea de nivel horizontal en la superficie directamente en frente de la herramienta para cualquier altura que se ajuste la herramienta y horizontalmente nivelada (ver Figura 23).


Si usted desea proyectar solamente una línea de nivel horizontal en una superficie, la herramienta se puede oblicuar para alinearla con la marca o punto de referencia (ver Figura 23).

Para proyectar una línea horizontal derecha a través de dos o más superficies adyacentes, el nivel y la Base de Nivelación a Precisión deben estar exactamente nivelados usando ambas ampollas de nivelación de la herramienta. Esto alineará el nivel a la misma altura del punto de referencia lo cual evita que la herramienta proyecte una línea adyacente que esté en el mismo ángulo que el ángulo de proyección de la herramienta (ver Figura 24).



MANTENIMIENTO

Este nivel ha sido diseñado como una herramienta de bajo mantenimiento. Sin embargo, para mantener su rendimiento, es necesario que siga **SIEMPRE** estas sencillas instrucciones.

1. **SIEMPRE** manipule con cuidado la herramienta. Trátela igual como trataría cualquier otro dispositivo óptico, tal como una cámara fotográfica o gemelos binoculares.
 2. **EVITE** la exposición del nivel a choques, vibración continua o temperaturas extremadamente calientes o frías.
 3. **SIEMPRE** guarde el nivel al interior. Cuando no lo use, **SIEMPRE** guarde el nivel en su caja protectora.
 4. Cuando termine de usar la herramienta, **SIEMPRE** asegúrese de que la cubreplaca del interruptor esté en la posición protegida - completamente hacia arriba.
 5. **SIEMPRE** mantenga el nivel libre de polvo y líquidos. Use un paño húmedo y jabón suave o un algodón y limpiavidrios para limpiar el lente.
USE SOLAMENTE un paño suave o un algodón y limpiavidrios para limpiar el lente.
-  **ADVERTENCIA: SIEMPRE** retire las pilas cuando limpie el lente.
6. **SIEMPRE** limpie y seque bien la herramienta después de cada uso.
 7. Verifique regularmente las pilas para evitar su deterioro. **SIEMPRE** retire las pilas de la herramienta si no va a ser usada por un período de tiempo prolongado.
 8. Reemplace la pilas después de aproximadamente 40 horas de uso.
 9. **NO** desarme el nivel Laser Trac^{MR}. Esto no sólo anula la garantía sino que también expone al usuario a exposición peligrosa a radiación.
 10. **NO** modifique la herramienta de ninguna manera ni la use con productos y/o accesorios no especificados por Sears. Esto podría exponer al usuario a exposición peligrosa a radiación.
 11. **NO** trate de cambiar ninguna pieza del lente láser.
 12. La reparación de la herramienta **DEBE SER** realizada solamente por un Centro de Repuestos y Reparación Sears. La reparación o mantenimiento realizado por personal no calificado puede ocasionar un riesgo de sufrir una lesión.

SOLUCION DE AVERIAS

PROBLEMA	CAUSA	SOLUCION
La proyección de la línea láser es débil.	Las pilas están débiles.	Coloque pilas nuevas.
Es difícil ver la línea láser.	La luz ambiental es demasiado brillante.	Use lentes de intensificación del láser.
La línea láser no se proyecta.	El interruptor no está en la posición "on" (encendido).	Verifique para asegurarse de que la cubierta del interruptor esté completamente hacia abajo, en la posición "on" (encendido).
La línea láser proyectada no es nivelada.	<ol style="list-style-type: none"> 1. El botón corredizo no está en la posición correcta. 2. El nivel está instalado en la base de montaje mural con clavijas delgadas. 3. El nivel está montado en la base de nivelación a precisión, pero la base ya no está nivelada. 	<ol style="list-style-type: none"> 1. Ajuste el botón corredizo. 2. Alinee la herramienta usando dos puntos de referencia en el área de trabajo o coloque la herramienta en la base de nivelación a precisión. 3. Verifique las ampollas de nivelación en la parte superior de la herramienta y ajuste las tres perillas de la base para que la herramienta vuelva a la posición nivelada.

NOTAS

Get it fixed, at your home or ours!

Your Home

For repair **in your home** of all major brand appliances, lawn and garden equipment, or heating and cooling systems, **no matter who made it, no matter who sold it!**

For the replacement parts, accessories and owner's manuals that you need to do-it-yourself.

For Sears professional installation of home appliances and items like garage door openers and water heaters.

1-800-4-MY-HOME[®] Anytime, day or night
(1-800-469-4663) (U.S.A. and Canada)
www.sears.com www.sears.ca

Our Home

For repair of carry-in products like vacuums, lawn equipment, and electronics, call or go on-line for the nearest **Sears Parts and Repair Center.**

1-800-488-1222 Anytime, day or night (U.S.A. only)
www.sears.com

To purchase a protection agreement (U.S.A.) or maintenance agreement (Canada) on a product serviced by Sears:

1-800-827-6655 (U.S.A.) **1-800-361-6665** (Canada)

Para pedir servicio de reparación a domicilio, y para ordenar piezas:

1-888-SU-HOGARSM
(1-888-784-6427)

Au Canada pour service en français:

1-800-LE-FOYER^{MC}
(1-800-533-6937)
www.sears.ca

SEARS

© Sears, Roebuck and Co.

® Registered Trademark / TM Trademark / SM Service Mark of Sears, Roebuck and Co.

® Marca Registrada / TM Marca de Fábrica / SM Marca de Servicio de Sears, Roebuck and Co.

^{MC} Marque de commerce / ^{MD} Marque déposée de Sears, Roebuck and Co.