

OPERATOR'S MANUAL

MANUAL DEL OPERADOR



ANGLE GRINDER

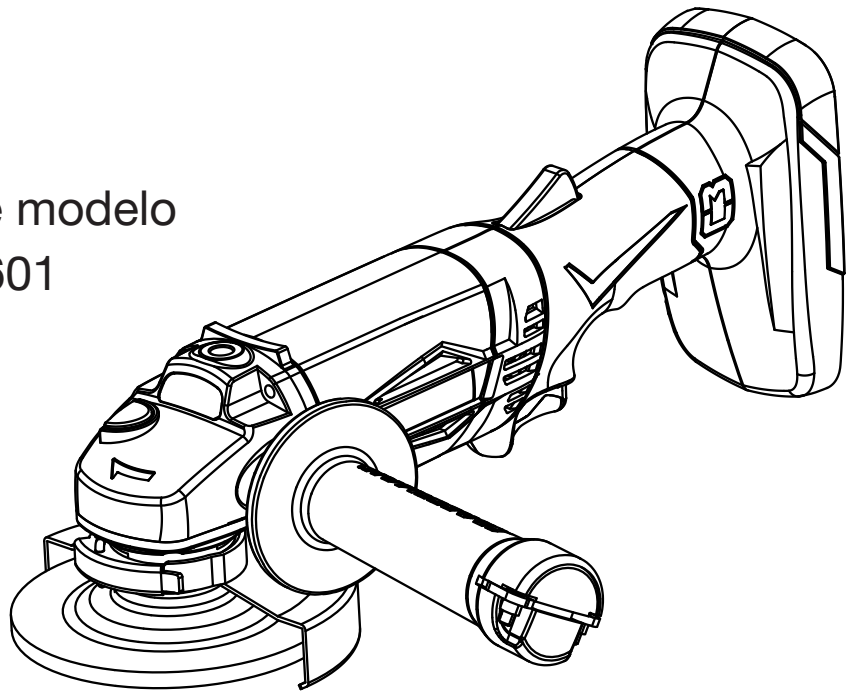
19.2 VOLT

AMOLADORA ANGULAR

19,2 V

Model No. / Número de modelo

315.FS2600 / 315.FS2601



⚠ WARNING: To reduce the risk of injury, the user must read and understand the operator's manual before using this product.

⚠ ADVERTENCIA: Para reducir el riesgo de lesiones, el usuario debe leer y comprender el manual del operador antes de usar este producto.

**BATTERIES AND CHARGERS
SOLD SEPARATELY**

**LAS BATERÍAS Y LOS
CARGADORES SE VENDEN
POR SEPARADO**

Customer Help Line: 1-800-932-3188

Teléfono de atención al consumidor: 1-800-932-3188

Sears Brands Management Corporation, 3333 Beverly Rd., Hoffman Estates, IL 60179 USA

Visit the Craftsman web page: www.sears.com/craftsman

Visite el sitio web de Craftsman: www.sears.com/craftsman

**Save this manual for future reference
Guarde este manual para futuras consulta**

988000975
5-22-13 (REV:03)



TABLE OF CONTENTS / ÍNDICE DE CONTENIDO

ENGLISH

■ Warranty.....	2
■ Introduction.....	2
■ General Safety Rules	3-4
■ Specific Safety Rules.....	4-6
■ Symbols.....	7
■ Features.....	8
■ Assembly.....	8-9
■ Operation.....	9-11
■ Maintenance.....	11
■ Illustrated Parts List.....	12
■ Figure Numbers (Illustrations).....	i-ii
■ Parts Ordering / Service.....	Back Page

ESPAÑOL

■ Garantía.....	2
■ Introducción.....	2
■ Reglas de seguridad generales.....	3-4
■ Reglas de seguridad específicas.....	4-6
■ Símbolos.....	7
■ Características.....	8
■ Armado.....	8-9
■ Funcionamiento.....	9-11
■ Mantenimiento.....	11
■ Figura numeras (ilustraciones).....	i-ii
■ Pedidos de piezas / Servicio.....	Pág. posterior

WARRANTY / GARANTÍA

CRAFTSMAN® ONE YEAR LIMITED WARRANTY

FOR ONE YEAR from the date of purchase, this product is warranted against any defects in material or workmanship. With proof of purchase, defective product will be replaced free of charge.

For warranty coverage details to obtain free replacement, visit the web site: www.craftsman.com

This warranty does not cover the grinding wheel, which is an expendable part that can wear out from normal use within the warranty period.

This warranty is void if this product is ever used while providing commercial services or if rented to another person.

This warranty gives you specific legal rights, and you may also have other rights which vary from state to state.

Sears Brands Management Corporation, Hoffman Estates, IL 60179

* * *

GARANTÍA LIMITADA DE CRAFTSMAN POR UN AÑO

Este producto tiene garantía por cualquier defecto en material o mano de obra DURANTE UN AÑO desde la fecha de compra. Los productos defectuosos se reemplazarán sin cargo si presenta un comprobante de pago.

Si desea conocer los detalles de la cobertura de la garantía para conseguir reparaciones o recambios, visite el sitio Web: www.craftsman.com

Esta garantía no cubre el muela abrasiva, que es una pieza fungible que puede desgastarse por el uso normal durante el período de garantía.

La garantía pierde validez si este producto se utiliza mientras se prestan servicios comerciales o si se alquila a otra persona.

Esta garantía le otorga derechos legales específicos y también puede gozar de otros derechos que varían según el estado.

Sears Brands Management Corporation, Hoffman Estates, IL 60179

INTRODUCTION / INTRODUCCIÓN

This tool has many features for making its use more pleasant and enjoyable. Safety, performance, and dependability have been given top priority in the design of this product making it easy to maintain and operate.

* * *

Esta herramienta ofrece numerosas características para hacer más agradable y placentero su uso. En el diseño de este producto se ha conferido prioridad a la seguridad, el desempeño y la fiabilidad, por lo cual se facilita su manejo y mantenimiento.

GENERAL SAFETY RULES

⚠ WARNING! Read all instructions. Failure to follow all instructions listed below may result in electric shock, fire and/or serious injury. The term “power tool” in all of the warnings listed below refers to your mains-operated (corded) power tool or battery-operated (cordless) power tool.

SAVE THESE INSTRUCTIONS

WORK AREA SAFETY

- **Keep work area clean and well lit.** Cluttered or dark areas invite accidents.
- **Do not operate power tools in explosive atmospheres, such as in the presence of flammable liquids, gases or dust.** Power tools create sparks which may ignite the dust or fumes.
- **Keep children and bystanders away while operating a power tool.** Distractions can cause you to lose control.

ELECTRICAL SAFETY

- **Power tool plugs must match the outlet. Never modify the plug in any way. Do not use any adapter plugs with earthed (grounded) power tools.** Unmodified plugs and matching outlets will reduce risk of electric shock.
- **Avoid body contact with earthed or grounded surfaces such as pipes, radiators, ranges and refrigerators.** There is an increased risk of electric shock if your body is earthed or grounded.
- **Do not expose power tools to rain or wet conditions.** Water entering a power tool will increase the risk of electric shock.
- **Do not abuse the cord. Never use the cord for carrying, pulling or unplugging the power tool. Keep cord away from heat, oil, sharp edges or moving parts.** Damaged or entangled cords increase the risk of electric shock.
- **When operating a power tool outdoors, use an extension cord suitable for outdoor use.** Use of a cord suitable for outdoor use reduces the risk of electric shock.
- **Use battery only with charger listed. For use with 19.2 V nickel-cadmium and 19.2 V lithium-ion battery packs, see tool/appliance/battery pack/charger correlation supplement 988000-272.**

PERSONAL SAFETY

- **Stay alert, watch what you are doing and use common sense when operating a power tool. Do not use a power tool while you are tired or under the influence of drugs, alcohol or medication.** A moment of inattention while operating power tools may result in serious personal injury.
- **Use safety equipment. Always wear eye protection.** Safety equipment such as dust mask, non-skid safety shoes, hard hat, or hearing protection used for appropriate conditions will reduce personal injuries.
- **Avoid accidental starting. Ensure the switch is in the off-position before plugging in.** Carrying power

tools with your finger on the switch or plugging in power tools that have the switch on invites accidents.

- **Remove any adjusting key or wrench before turning the power tool on.** A wrench or a key left attached to a rotating part of the power tool may result in personal injury.
- **Do not overreach. Keep proper footing and balance at all times.** This enables better control of the power tool in unexpected situations.
- **Dress properly. Do not wear loose clothing or jewelry. Keep your hair, clothing and gloves away from moving parts.** Loose clothes, jewelry, or long hair can be caught in moving parts.
- **If devices are provided for the connection of dust extraction and collection facilities, ensure these are connected and properly used.** Use of these devices can reduce dust-related hazards.
- **Do not wear loose clothing or jewelry. Contain long hair.** Loose clothes, jewelry, or long hair can be drawn into air vents.
- **Do not use on a ladder or unstable support.** Stable footing on a solid surface enables better control of the power tool in unexpected situations.

POWER TOOL USE AND CARE

- **Do not force the power tool. Use the correct power tool for your application.** The correct power tool will do the job better and safer at the rate for which it was designed.
- **Do not use the power tool if the switch does not turn it on and off.** Any power tool that cannot be controlled with the switch is dangerous and must be repaired.
- **Disconnect the plug from the power source and/or the battery pack from the power tool before making any adjustments, changing accessories, or storing power tools.** Such preventive safety measures reduce the risk of starting the power tool accidentally.
- **Store idle power tools out of the reach of children and do not allow persons unfamiliar with the power tool or these instructions to operate the power tool.** Power tools are dangerous in the hands of untrained users.
- **Maintain power tools. Check for misalignment or binding of moving parts, breakage of parts, and any other condition that may affect the power tool's operation. If damaged, have the power tool repaired before use.** Many accidents are caused by poorly maintained power tools.
- **Keep cutting tools sharp and clean.** Properly maintained cutting tools with sharp cutting edges are less likely to bind and are easier to control.
- **Use the power tool, accessories and tool bits etc., in accordance with these instructions and in the manner intended for the particular type of power tool, taking into account the working conditions and the work to be performed.** Use of the power tool for operations different from those intended could result in a hazardous situation.

GENERAL SAFETY RULES


BATTERY TOOL USE AND CARE

- **Ensure the switch is in the off position before inserting battery pack.** Inserting the battery pack into power tools that have the switch on invites accidents.
- **Recharge only with the charger specified by the manufacturer.** A charger that is suitable for one type of battery pack may create a risk of fire when used with another battery pack.
- **Use power tools only with specifically designated battery packs.** Use of any other battery packs may create a risk of injury and fire.
- **When battery pack is not in use, keep it away from other metal objects like paper clips, coins, keys, nails, screws, or other small metal objects that can make a connection from one terminal to another.** Shorting the battery terminals together may cause burns or a fire.
- **Under abusive conditions, liquid may be ejected from the battery, avoid contact. If contact acci-**

dentally occurs, flush with water. If liquid contacts eyes, additionally seek medical help. Liquid ejected from the battery may cause irritation or burns.

SERVICE

- **Have your power tool serviced by a qualified repair person using only identical replacement parts.** This will ensure that the safety of the power tool is maintained.

 **WARNING!** To reduce the risk of injury, user must read instruction manual.

- **When servicing a power tool, use only identical replacement parts. Follow instructions in the Maintenance section of this manual.** Use of unauthorized parts or failure to follow Maintenance instructions may create a risk of shock or injury.

SPECIFIC SAFETY RULES

SAFETY WARNINGS COMMON FOR GRINDING, SANDING AND POLISHING OPERATIONS

- **This power tool is intended to function as a grinder, sander, or polisher. Read all safety warnings, instructions, illustrations and specifications provided with this power tool.** Failure to follow all instructions listed below may result in electric shock, fire and/or serious injury.
- **Operations such as wire brushing or cutting-off are not recommended to be performed with this power tool.** Operations for which the power tool was not designed may create a hazard and cause personal injury.
- **Do not use accessories which are not specifically designed and recommended by the tool manufacturer.** Just because the accessory can be attached to your power tool, it does not assure safe operation.
- **The rated speed of the accessory must be at least equal to the maximum speed marked on the power tool.** Accessories running faster than their RATED SPEED can break and fly apart.
- **The outside diameter and the thickness of your accessory must be within the capacity rating of your power tool.** Incorrectly sized accessories cannot be adequately guarded or controlled.
- **The arbor size of wheels, flanges, backing pads or any other accessory must properly fit the spindle of the power tool.** Accessories with arbor holes that do not match the mounting hardware of the power tool will run out of balance, vibrate excessively and may cause loss of control.

- **Do not use a damaged accessory. Before each use inspect the accessory such as abrasive wheels for chips and cracks, backing pad for cracks, tear or excess wear, wire brush for loose or cracked wires. If power tool or accessory is dropped, inspect for damage or install an undamaged accessory. After inspecting and installing an accessory, position yourself and bystanders away from the plane of the rotating accessory and run the power tool at maximum no-load speed for one minute.** Damaged accessories will normally break apart during this test time.
- **Wear personal protective equipment. Depending on application, use face shield, safety goggles or safety glasses. As appropriate, wear dust mask, hearing protectors, gloves and workshop apron capable of stopping small abrasive or workpiece fragments.** The eye protection must be capable of stopping flying debris generated by various operations. The dust mask or respirator must be capable of filtering particles generated by your operation. Prolonged exposure to high intensity noise may cause hearing loss.
- **Keep bystanders a safe distance away from work area. Anyone entering the work area must wear personal protective equipment.** Fragments of workpiece or of a broken accessory may fly away and cause injury beyond immediate area of operation.
- **Hold power tool by insulated gripping surfaces only, when performing an operation where the cutting accessory may contact hidden wiring.** Cutting accessory contacting a “live” wire may make exposed metal parts of the power tool “live” and shock the operator.

SPECIFIC SAFETY RULES

- **Never lay the power tool down until the accessory has come to a complete stop.** The spinning accessory may grab the surface and pull the power tool out of your control.
- **Do not run the power tool while carrying it at your side.** Accidental contact with the spinning accessory could snag your clothing, pulling the accessory into your body.
- **Regularly clean the power tool's air vents.** The motor's fan will draw the dust inside the housing and excessive accumulation of powdered metal may cause electrical hazards.
- **Do not operate the power tool near flammable materials.** Sparks could ignite these materials.
- **Do not use accessories that require liquid coolants.** Using water or other liquid coolants may result in electrocution or shock.

KICKBACK AND RELATED WARNINGS

Kickback is a sudden reaction to a pinched or snagged rotating wheel, backing pad, brush or any other accessory. Pinching or snagging causes rapid stalling of the rotating accessory which in turn causes the uncontrolled power tool to be forced in the direction opposite of the accessory's rotation at the point of the binding.

For example, if an abrasive wheel is snagged or pinched by the workpiece, the edge of the wheel that is entering into the pinch point can dig into the surface of the material causing the wheel to climb out or kick out. The wheel may either jump toward or away from the operator, depending on direction of the wheel's movement at the point of pinching. Abrasive wheels may also break under these conditions.

Kickback is the result of power tool misuse and/or incorrect operating procedures or conditions and can be avoided by taking proper precautions as given below.

- **Maintain a firm grip on the power tool and position your body and arm to allow you to resist kickback forces. Always use auxiliary handle, if provided, for maximum control over kickback or torque reaction during start-up.** The operator can control torque reactions or kickback forces, if proper precautions are taken.
- **Never place your hand near the rotating accessory.** Accessory may kickback over your hand.
- **Do not position your body in the area where power tool will move if kickback occurs.** Kickback will propel the tool in direction opposite to the wheel's movement at the point of snagging.
- **Use special care when working corners, sharp edges etc. Avoid bouncing and snagging the accessory.** Corners, sharp edges or bouncing have a tendency to snag the rotating accessory and cause loss of control or kickback.

- **Do not attach a saw chain woodcarving blade or toothed saw blade.** Such blades create frequent kickback and loss of control.

SAFETY WARNINGS SPECIFIC FOR GRINDING OPERATIONS

- **Use only wheel types that are recommended for your power tool and the specific guard designed for the selected wheel.** Wheels for which the power tool was not designed cannot be adequately guarded and are unsafe.
- **The guard must be securely attached to the power tool and positioned for maximum safety, so the least amount of wheel is exposed towards the operator.** The guard helps to protect operator from broken wheel fragments and accidental contact with wheel.
- **Wheels must be used only for recommended applications. For example: do not grind with the side of an abrasive cut-off wheel.** Abrasive cut-off wheels are intended for peripheral grinding, side forces applied to these wheels may cause them to shatter.
- **Always use undamaged wheel flanges that are of correct size and shape for your selected wheel.** Proper wheel flanges support the wheel thus reducing the possibility of wheel breakage. Flanges for cut-off wheels may be different from grinding wheel flanges.
- **Do not use worn down wheels from larger power tools.** Wheel intended for larger power tool is not suitable for the higher speed of a smaller tool and may burst.
- **Always use proper guard with grinding wheel.** A guard protects operator from broken wheel fragments.
- **Accessories must be rated for at least the speed recommended on the tool warning label.** Wheels and other accessories running over rated speed can fly apart and cause injury.

SAFETY WARNINGS SPECIFIC FOR SANDING OPERATIONS

- **Do not use excessively oversized sanding disc paper. Follow manufacturers recommendations, when selecting sanding paper.** Larger sanding paper extending beyond the sanding pad presents a laceration hazard and may cause snagging, tearing of the disc or kickback.

SAFETY WARNINGS SPECIFIC FOR POLISHING OPERATIONS


- **Do not allow any loose portion of the polishing bonnet or its attachment strings to spin freely. Tuck away or trim any loose attachment strings.** Loose and spinning attachment strings can entangle your fingers or snag on the workpiece.

SPECIFIC SAFETY RULES

ADDITIONAL SAFETY RULES

- **Know your power tool. Read operator's manual carefully. Learn its applications and limitations, as well as the specific potential hazards related to this power tool.** Following this rule will reduce the risk of electric shock, fire, or serious injury.
- **Always wear eye protection with side shields marked to comply with ANSI Z87.1.** Following this rule will reduce the risk of serious personal injury.
- **Protect your lungs. Wear a face or dust mask if the operation is dusty.** Following this rule will reduce the risk of serious personal injury.
- **Protect your hearing. Wear hearing protection during extended periods of operation.** Following this rule will reduce the risk of serious personal injury.
- **Check damaged parts. Before further use of the power tool, a guard or other part that is damaged should be carefully checked to determine that it will operate properly and perform its intended function. Check for alignment of moving parts, binding of moving parts, breakage of parts, mounting, and any other conditions that may affect its operation. A guard or other part that is damaged should be properly repaired or replaced by an authorized service center.** Following this rule will reduce the risk of shock, fire, or serious injury.
- **Inspect for and remove all nails from lumber before using this power tool.** Following this rule will reduce the risk of serious personal injury.
- **Save these instructions.** Refer to them frequently and use them to instruct others who may use this power tool. If you loan someone this power tool, loan them these instructions also.

CALIFORNIA PROPOSITION 65

 **WARNING:** This product and some dust created by power sanding, sawing, grinding, drilling, and other construction activities may contain chemicals, including lead, known to the State of California to cause cancer, birth defects, or other reproductive harm. ***Wash hands after handling.***




Some examples of these chemicals are:

- lead from lead-based paints,
- crystalline silica from bricks and cement and other masonry products and,
- arsenic and chromium from chemically treated lumber.






Your risk from exposure to these chemicals varies, depending on how often you do this type of work. To reduce your exposure, work in a well-ventilated area and with approved safety equipment, such as dust masks that are specially designed to filter out microscopic particles.

SYMBOLS

The following signal words and meanings are intended to explain the levels of risk associated with this product.

SYMBOL	SIGNAL	MEANING
	DANGER:	Indicates an imminently hazardous situation, which, if not avoided, will result in death or serious injury.
	WARNING:	Indicates a potentially hazardous situation, which, if not avoided, could result in death or serious injury.
	CAUTION:	Indicates a potentially hazardous situation, which, if not avoided, may result in minor or moderate injury.
	NOTICE:	(Without Safety Alert Symbol) Indicates important information not related to an injury hazard, such as a situation that may result in property damage.

Some of the following symbols may be used on this product. Please study them and learn their meaning. Proper interpretation of these symbols will allow you to operate the product better and safer.

SYMBOL	NAME	DESIGNATION/EXPLANATION
	Safety Alert	Indicates a potential personal injury hazard.
	Read Operator's Manual	To reduce the risk of injury, user must read and understand operator's manual before using this product.
	Eye Protection	Always wear eye protection with side shields marked to comply with ANSI Z87.1.
	Wet Conditions Alert	Do not expose to rain or use in damp locations.
	Recycle Symbols	This product uses nickel-cadmium (Ni-Cd) and lithium-ion (Li-ion) batteries. Local, state or federal laws may prohibit disposal of batteries in ordinary trash. Consult your local waste authority for information regarding available recycling and/or disposal options.
V	Volts	Voltage
min	Minutes	Time
==	Direct Current	Type or a characteristic of current
n_0	No Load Speed	Rotational speed, at no load
.../min	Per Minute	Revolutions, strokes, surface speed, orbits etc., per minute

FEATURES

PRODUCT SPECIFICATIONS

Grinding Wheel Capacity.....4-1/2 in.
Motor 19.2 Volt DC

No Load Speed 6,500 r/min. (RPM)
Spindle Thread 5/8 x 11 UNC

KNOW YOUR ANGLE GRINDER

See Figure 1, page i.

The safe use of this product requires an understanding of the information on the product and in this operator's manual as well as a knowledge of the project you are attempting. Before use of this product, familiarize yourself with all operating features and safety rules.

C3 ENERGY INDICATOR WINDOW

The C3 energy indicator window located on the side of the handle, just above the base, will light when a PP2010 or PP2000 Craftsman 19.2 V lithium-ion battery pack is installed and has charge.

NOTE: Feature will not light with Craftsman 19.2 V nickel-cadmium battery packs.

LOCK-OFF BUTTON

Your grinder is equipped with a lock-off button which reduces the possibility of accidental starting.

SIDE HANDLE with WRENCH STORAGE

The side handle can be installed on the top, left, or right side of the grinder for stabilization and must be used during all operations. The wrench can be conveniently stored in the side handle storage slot when not in use.

SPINDLE LOCK

The spindle lock secures the spindle so that only one wrench is needed to change the grinding wheel.

TOOLLESS GUARD


A toolless guard deflects sparks and metal chips during use.

ASSEMBLY

UNPACKING

This product requires assembly.


- Carefully remove the tool and any accessories from the box. Make sure that all items listed in the packing list are included.


 **WARNING:** Do not use this product if it is not completely assembled or if any parts appear to be missing or damaged. Use of a product that is not properly and completely assembled could result in serious personal injury.


- Inspect the tool carefully to make sure no breakage or damage occurred during shipping.
- Do not discard the packing material until you have carefully inspected and satisfactorily operated the tool.
- If any parts are damaged or missing, please call 1-800-932-3188 for assistance.

PACKING LIST

Angle Grinder with Guard
Grinding Wheel
Side Handle/Wrench
Operator's Manual

 **WARNING:** If any parts are damaged or missing do not operate this product until the parts are replaced. Use of this product with damaged or missing parts could result in serious personal injury.

 **WARNING:** Do not attempt to modify this product or create accessories not recommended for use with this product. Any such alteration or modification is misuse and could result in a hazardous condition leading to possible serious personal injury.

 **WARNING:** To prevent accidental starting that could cause serious personal injury, always remove the battery pack from the product when assembling parts.

ASSEMBLY

INSTALLING GRINDING WHEEL

See Figure 2, page i.

⚠ DANGER: Use ONLY Type 27 depressed center wheels (such as the one provided with this product). NEVER attach a Type 1 straight or cut-off wheel to this angle grinder. Use for any other purpose is not recommended and creates a hazard, which will result in serious injury.



⚠ DANGER: Never attach a wood cutting or carving blade of any type to this grinder. It is only designed for grinding and sanding. Use for any other purpose is not recommended and creates a hazard, which will result in serious injury.

⚠ WARNING: Thoroughly inspect a new grinding wheel before you install it on the grinder.

- Tap lightly around the wheel using a wooden hammer.
- Listen carefully to the resulting sounds. Places with fissures or cracks will result in a different sound.

Do not use a wheel containing fissures or cracks. When you install a new grinding wheel, carry out a no load revolution test of approximately one minute with the grinding wheel facing a safe direction, i.e., away from people or objects.

- Depress the spindle lock button and rotate the clamp nut until the spindle locks.

NOTE: To prevent damage to the spindle or spindle lock, always allow motor to come to a complete stop before engaging spindle lock.

- Loosen and remove the clamp nut from the spindle. Do not remove the disc flange.
- Make sure the flats on the bottom of the disc flange are engaged with the flats on the spindle.
- Place the grinding wheel over the spindle.
- Thread the clamp nut on the spindle with the flat side of the nut facing up.
- Fit the raised, small diameter portion of the clamp nut into the hole in the wheel and finger tighten.

⚠ WARNING: Always install a grinding wheel with the depressed center against the disc flange. Failure to do so will cause the grinding wheel to crack when tightening the clamp nut. This could result in serious personal injury because of loose particles breaking off and being thrown from the grinder. Do not over-tighten.

- Depress the spindle lock button and rotate the wheel clockwise until the spindle locks in position.
- Tighten the clamp nut securely with the wrench provided. Do not overtighten.

INSTALLING THE SIDE HANDLE

See Figure 3, page i.

The side handle can be installed on the top, left, or right side of the grinder, depending on operator preference. The handle must always be used to prevent loss of control and possible serious injury.

- Insert the side handle into the desired operating position.
- Turn the side handle clockwise to securely tighten.

OPERATION

⚠ WARNING: Do not allow familiarity with this product to make you careless. Remember that a careless fraction of a second is sufficient to inflict serious injury.

⚠ WARNING: Always wear eye protection with side shields marked to comply with ANSI Z87.1. Failure to do so could result in objects being thrown into your eyes, resulting in possible serious injury.

⚠ WARNING: Do not use any attachments or accessories not recommended by the manufacturer of this product. The use of attachments or accessories not recommended can result in serious personal injury.

APPLICATIONS

You may use this product for the purpose listed below:

- Grinding metals
- Sanding wood or metal surfaces

This product will accept Craftsman 19.2 V lithium-ion battery packs and Craftsman 19.2 V nickel-cadmium battery packs.

For complete charging instructions, see the Operator's Manuals for your battery pack and charger models.

OPERATION

BATTERY PROTECTION FEATURES

Craftsman lithium-ion batteries are designed with features that protect the lithium-ion cells and maximize battery life.

If the tool stops during use, release the trigger to reset and resume operation. If the tool still does not work, the battery needs to be recharged.

INSTALLING/REMOVING BATTERY PACK

See Figure 4, page i.

To install:

- Insert the battery pack.
- Make sure the latches on each side of the battery pack snap in place and that battery pack is secured in the product before beginning operation.

NOTICE: When placing battery pack in the tool, be sure raised rib on battery pack aligns with groove inside the tool and latches snap into place properly. Improper assembly can cause damage to the tool and battery pack.

WARNING: Always remove battery pack from the tool when you are assembling parts, making adjustments, cleaning, or when not in use. Removing battery pack will prevent accidental starting that could cause serious personal injury.

To remove:

- Depress the latches on each side of the battery pack.

WARNING: Battery products are always in operating condition. Therefore, the switch should always be locked when not in use or carrying at your side.

LOCK-OFF BUTTON

See Figure 5, page i.

The lock-off button is located on the handle above the switch trigger. You must depress the lock-off button in order to pull the switch trigger. The lock resets each time the trigger is released.

SWITCH TRIGGER

See Figure 5, page i.

To turn the grinder **ON**, depress and hold lock-off button, then depress the switch trigger. To turn it **OFF**, release the switch trigger.

POSITIONING THE GUARD

See Figures 6 - 7, page ii.

The guard on the grinder should be correctly positioned depending on which side the handle is mounted. Never use the grinder without the guard correctly in place.

WARNING: Never place the guard so that it is in front of the grinder. This could result in serious injury because sparks and loose particles thrown from the grinding wheel would be directed toward the operator. Always place the guard in the correct location as shown.

To reposition the guard:

- Remove the battery pack.
- Unlock the guard clasp by pulling the clasp out, away from the grinder.
- Rotate the guard to its correct position as shown.
- Lock the guard clasp.

NOTE: Be sure the raised ridge on the guard is seated in the groove on the bearing cap. Never use the grinder without the guard in place and properly adjusted.

OPERATING THE GRINDER

See Figure 8, page ii.

Always carefully select and use grinding wheels that are recommended for the material to be ground. Make sure that the minimum operating speed of any accessory wheel selected is 6,500 r/min. or more. The grinding wheel provided with the grinder is suitable for grinding welds, preparing surfaces to be welded, grinding structural steel, and grinding stainless steel.

To operate the grinder:

- Secure all work in a vise or clamp to a workbench.

DANGER: Never use the grinder with the guard removed. It has been designed for use only with the guard installed. Attempting to use grinder with guard removed will result in loose particles being thrown against the operator resulting in serious personal injury.

- Hold the grinder in front and away from you with both hands, keeping the grinding wheel clear of the workpiece.
- Turn on the grinder and let the motor and grinding wheel build up to full speed.
- Lower the grinder gradually until the grinding wheel contacts the workpiece.
- Keep the grinder tilted at an angle from 5 to 15 degrees.

WARNING: To prevent loss of control and possible serious personal injury, always operate the grinder with both hands, keeping one hand on the side handle.

- Move the grinder continuously at a steady, consistent pace.

OPERATION


NOTICE: If the grinder is held in one spot too long, it will gouge and cut grooves in the workpiece. If the grinder is held at too sharp an angle, it will also gouge the workpiece because of concentration of pressure on a small area.


- Use just enough pressure to keep the grinder from chattering or bouncing.


NOTE: Heavy pressure will decrease the grinder's speed and put a strain on the motor. Normally the weight of the tool alone is adequate for most grinding jobs. Use light pressure when grinding jagged edges or loose bolts where there is the potential for the grinder to snag on the metal edge.

- Lift the grinder away from the workpiece before turning off the grinder.

MAINTENANCE


 **WARNING:** When servicing, use only identical Craftsman replacement parts. Use of any other part could create a hazard or cause product damage.

 **WARNING:** Always wear eye protection with side shields marked to comply with ANSI Z87.1. Failure to do so could result in objects being thrown into your eyes, resulting in possible serious injury.

 **WARNING:** To avoid serious personal injury, always remove the battery pack from the tool when cleaning, performing any maintenance, or when storing the tool.

GENERAL MAINTENANCE


Avoid using solvents when cleaning plastic parts. Most plastics are susceptible to damage from various types of commercial solvents and can be damaged by their use. Use clean cloths to remove dirt, dust, oil, grease, etc.

 **WARNING:** Do not at any time let brake fluids, gasoline, petroleum-based products, penetrating oils, etc., come in contact with plastic parts. Chemicals can damage, weaken or destroy plastic which could result in serious personal injury.

Only the parts shown on the parts list are intended to be repaired or replaced by the customer. All other parts should be replaced at a Sears Service Center.

REPLACING THE GUARD

See Figure 2, page i.


 **WARNING:** Do not change or loosen guard screw. Failure to heed this warning may cause the guard to become loose during operation resulting in serious personal injury.

After extended use, the guard may wear and need replacing. If you drop the grinder and damage the guard it may also be necessary for you to replace it.

To replace the guard:

- Remove the battery pack from the grinder.
- Depress spindle lock and rotate clamp nut until spindle locks.
- Loosen and remove clamp nut from spindle using the wrench provided.
- Remove grinding wheel and disc flange.
- Unlock the guard clasp by pulling the clasp out, away from the grinder.
- Open clasp fully and twist guard to release it from the locking groove in the tool housing.
- Remove guard.
- Place the new guard on the shoulder of the bearing cap.
- Rotate guard to the correct position. Refer to **Positioning the Guard** earlier in this manual.
NOTE: Be sure the raised ridge on the guard is seated in the groove on the bearing cap.
- Reassemble disc flange, grinding wheel, and clamp nut. Refer to **Installing Grinding Wheel** earlier in this manual.
- Tighten the clamp nut securely with the wrench provided.

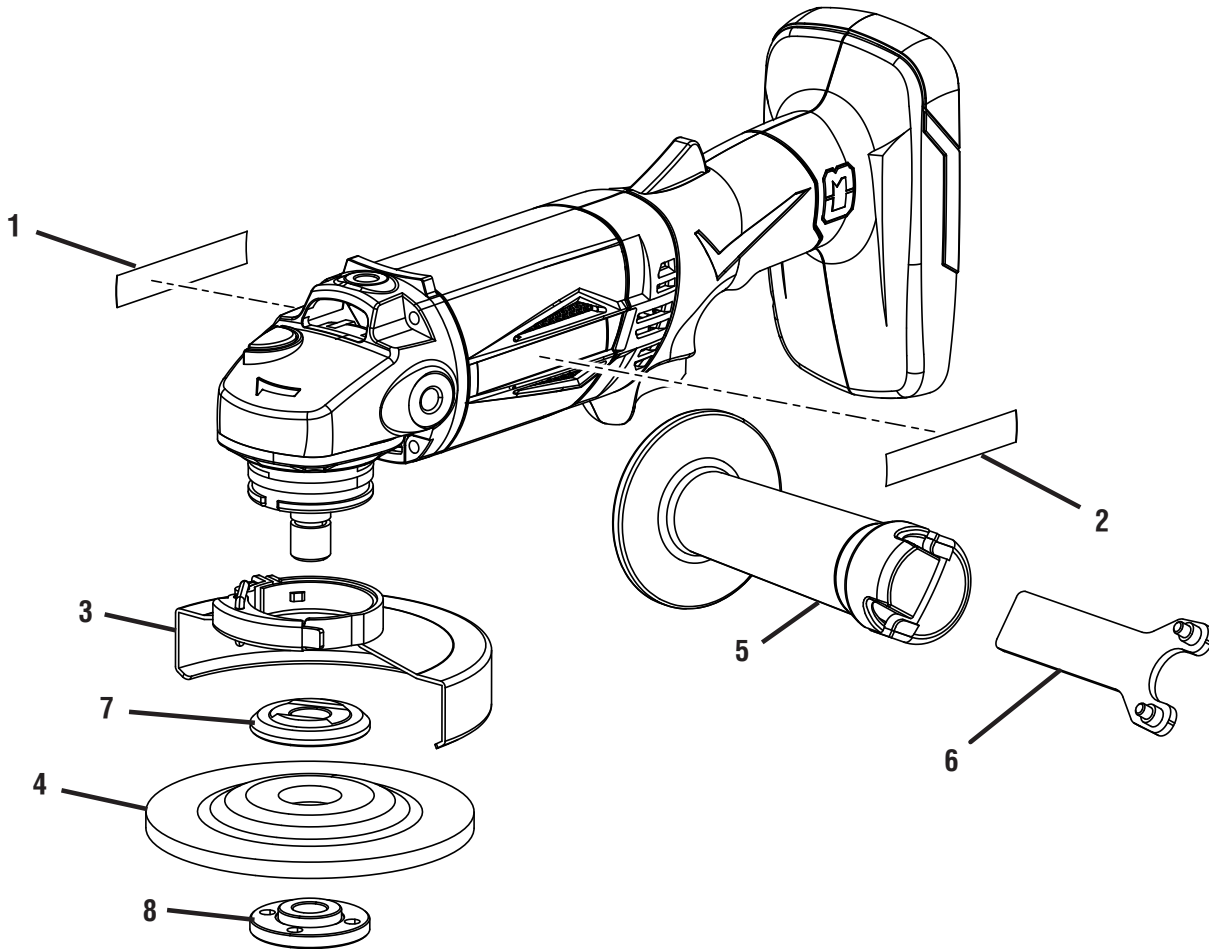
BATTERY PACK REMOVAL AND PREPARATION FOR RECYCLING

 **WARNING:** Upon removal, cover the battery pack's terminals with heavy-duty adhesive tape. Do not attempt to destroy or disassemble battery pack or remove any of its components. Batteries must be recycled or disposed of properly. Also, never touch both terminals with metal objects and/or body parts as short circuit may result. Keep away from children. Failure to comply with these warnings could result in fire and/or serious injury.

CRAFTSMAN 19.2 VOLT ANGLE GRINDER – MODEL NUMBER 315.FS2600 / 315.FS2601

The model number will be found on a label attached to the motor housing. Always mention the model number in all correspondence regarding your **ANGLE GRINDER** or when ordering repair parts.

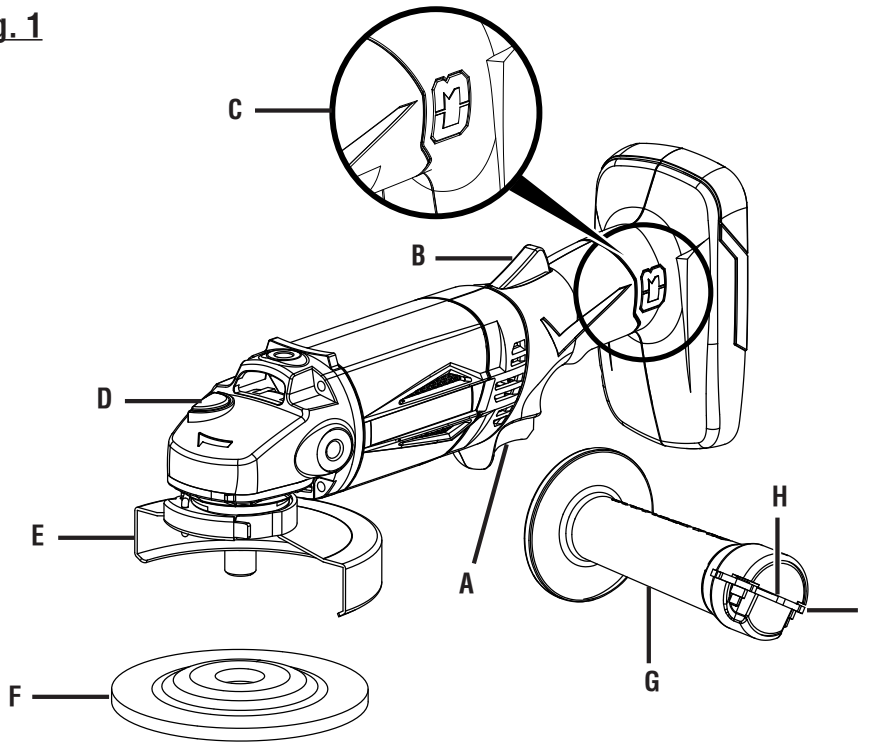
SEE BACK PAGE FOR PARTS ORDERING INSTRUCTIONS



PARTS LIST

Key No.	Part Number	Description	Qty.
1	019376001038	Data Label	1
2	019376001044	Logo Label.....	1
3	019376001004	Toolless Guard.....	1
4	019376001002	Grinding Wheel.....	1
5	019376001048	Side Handle	1
6	019376001050	Wrench	1
7	019376001003	Disc Flange.....	1
8	019376001001	Clamp Nut	1
9	988000-975	Operator's Manual (Not Shown)	1

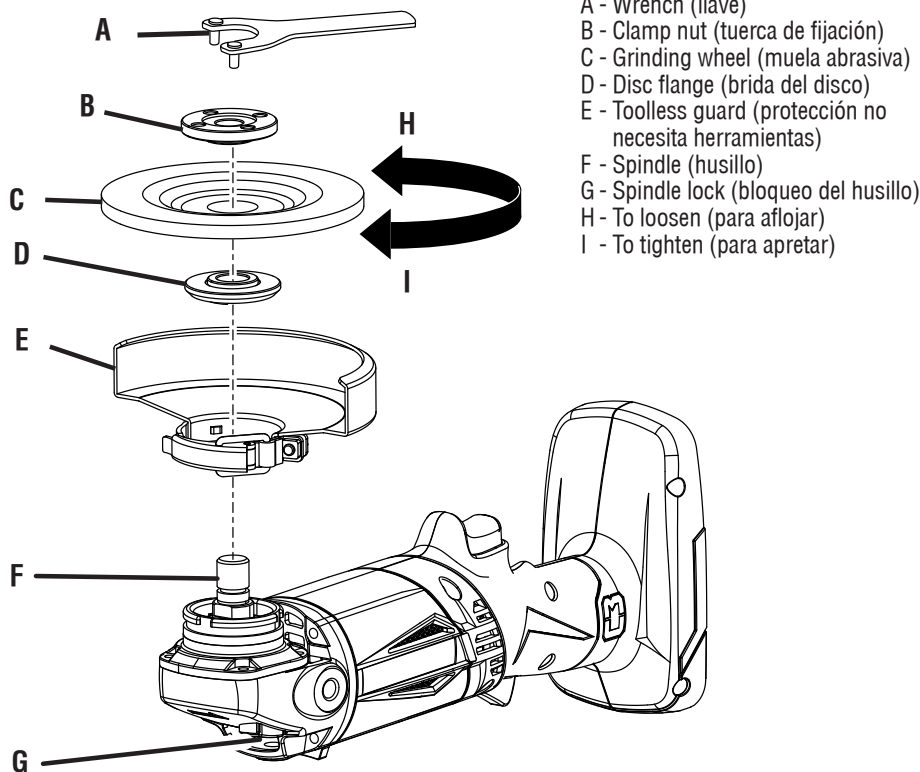
Fig. 1



- A - Switch trigger (gatillo del interruptor)
- B - Lock-off button (botón del seguro de apagado)
- C - C3 energy indicator window (visor del indicador de energía C3)
- D - Spindle lock button (botón de bloqueo del husillo)
- E - Toolless guard (protección no necesita herramientas)

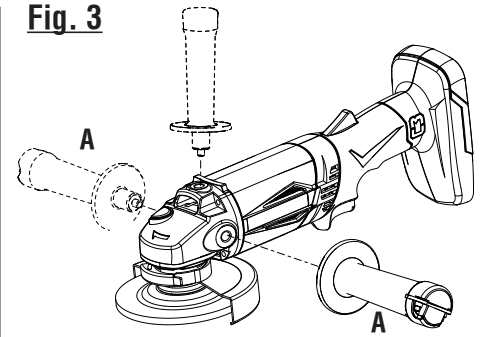
- F - Grinding wheel (muela abrasiva)
- G - Side handle (mango lateral)
- H - Wrench storage (compartimiento para guardar llave)
- I - Wrench (llave)

Fig. 2



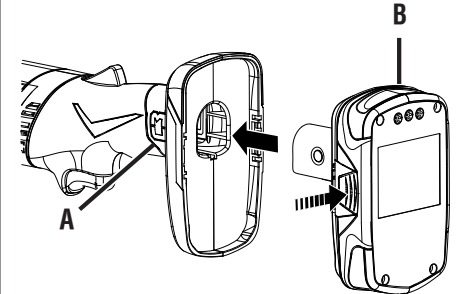
- A - Wrench (llave)
- B - Clamp nut (tuerca de fijación)
- C - Grinding wheel (muela abrasiva)
- D - Disc flange (brida del disco)
- E - Toolless guard (protección no necesita herramientas)
- F - Spindle (husillo)
- G - Spindle lock (bloqueo del husillo)
- H - To loosen (para aflojar)
- I - To tighten (para apretar)

Fig. 3



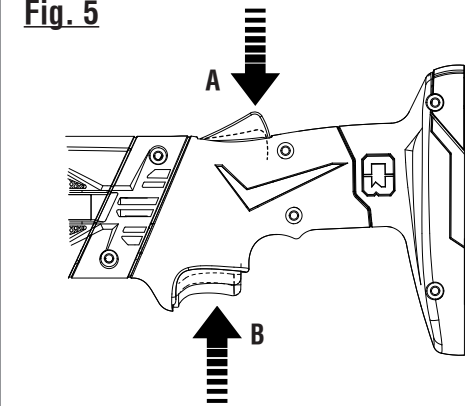
- A - Side handle (mango lateral)

Fig. 4



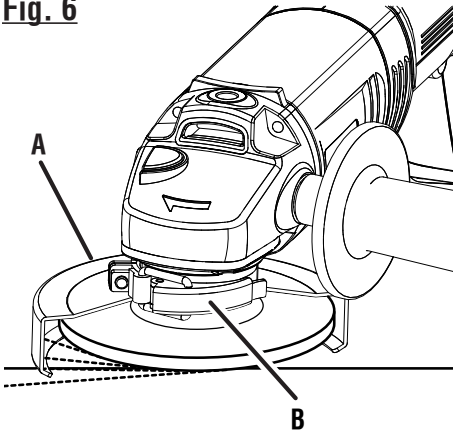
- A - C3 energy indicator window (visor del indicador de energía C3)
- B - Battery pack (paquete de baterías)

Fig. 5



- A - Lock-off button (botón del seguro de apagado)
- B - Switch trigger (gatillo del interruptor)

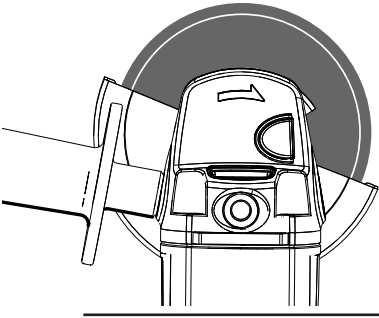
Fig. 6



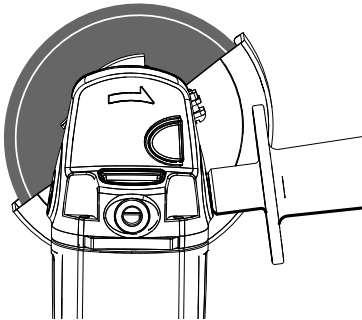
A - Toolless guard (protección no necesita herramientas)
B - Clasp (tuerca del husillo)

Fig. 7

SIDE HANDLE ON LEFT SIDE OF GRINDER
MANGO LATERAL EN EL LADO IZQUIERDO DE LA AMOLADORA



SIDE HANDLE ON RIGHT SIDE OF GRINDER
MANGO LATERAL EN EL LADO DERECHO DE LA AMOLADORA



INCORRECT / INCORRECTA

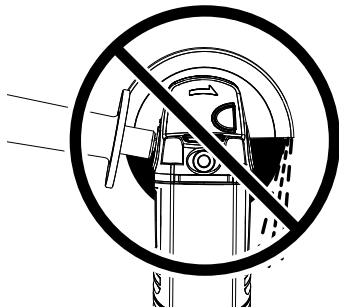
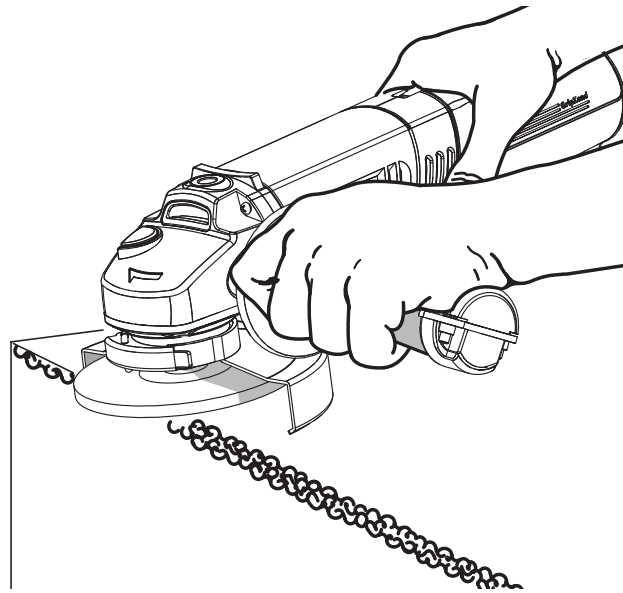


Fig. 8



REGLAS DE SEGURIDAD GENERALES



¡ADVERTENCIA! Lea todas las instrucciones. El incumplimiento de las instrucciones señaladas abajo puede causar descargas eléctricas, incendios y lesiones serias. El término "herramienta eléctrica" empleado en todos los avisos de advertencia enumerados abajo se refiere a las herramientas eléctricas de cordón (alámbricas) y de baterías (inalámbricas).

GUARDE ESTAS INSTRUCCIONES SEGURIDAD EN EL ÁREA DE TRABAJO

- **Mantenga limpia y bien iluminada el área de trabajo.** Un área de trabajo mal despejada o mal iluminada propicia accidentes.
- **No utilice herramientas eléctricas en atmósferas explosivas, como las existentes alrededor de líquidos, gases y polvos inflamables.** Las herramientas eléctricas generan chispas que pueden encender el polvo y los vapores inflamables.
- **Mantenga alejados a los niños y circunstantes al operar una herramienta eléctrica.** Toda distracción puede causar pérdida del control de la herramienta.

SEGURIDAD ELÉCTRICA

- **Las clavijas de las herramientas eléctricas deben corresponder a las tomas de corriente donde se conectan. Nunca modifique la clavija de ninguna forma. No utilice ninguna clavija adaptadora con herramientas eléctricas dotadas de contacto a tierra.** Conectando las clavijas originales en las tomas de corriente donde corresponden se disminuye el riesgo de una descarga eléctrica.
- **Evite el contacto del cuerpo con las superficies de objetos que estén haciendo tierra o estén conectados a ésta, como tuberías, radiadores, estufas y refrigeradores.** Existe un mayor riesgo de descargas eléctricas si el cuerpo está haciendo tierra.
- **No exponga las herramientas eléctricas a la lluvia ni a condiciones de humedad.** La introducción de agua en una herramienta eléctrica aumenta el riesgo de descargas eléctricas.
- **No maltrate el cordón eléctrico. Nunca utilice el cordón para trasladar, desconectar o tirar de la herramienta eléctrica. Mantenga el cordón alejado del calor, del aceite, de bordes afilados y de piezas móviles.** Los cordones eléctricos dañados o enredados aumentan el riesgo de descargas eléctricas.
- **Al utilizar una herramienta eléctrica a la intemperie, use un cordón de extensión apropiado para el exterior.** Usando un cordón adecuado para el exterior se disminuye el riesgo de descargas eléctricas.
- **Cargue las baterías solamente con el cargador indicado. Para utilizar con paquetes de baterías de níquel-cadmio de 18 V o de iones de litio de 18 V, consulte el folleto de la herramienta/aparato/paquete de baterías/cargador complementario 988000-272.**

SEGURIDAD PERSONAL

- **Permanezca alerta, preste atención a lo que esté haciendo y aplique el sentido común al utilizar herramientas eléctricas. No utilice la herramienta eléctrica si está cansado o se encuentra bajo los efectos de alguna droga, alcohol o medicamento.** Un momento de inatención al utilizar una herramienta eléctrica puede causar lesiones corporales serias.

- **Use equipo de seguridad. Siempre póngase protección ocular.** El uso de equipo de seguridad como mascarilla para el polvo, calzado de seguridad, casco y protección para los oídos en las circunstancias donde corresponda disminuye el riesgo de lesiones.
- **Evite un arranque accidental de la unidad. Asegúrese de que el interruptor esté en la posición de apagado antes de conectar la herramienta.** Portar las herramientas eléctricas con el dedo en el interruptor, o conectarlas con el interruptor puesto, propicia accidentes.
- **Retire toda llave o herramienta de ajuste antes de encender la herramienta eléctrica.** Toda llave o herramienta de ajuste dejada en una pieza giratoria de la herramienta eléctrica puede causar lesiones.
- **No estire el cuerpo para alcanzar mayor distancia. Mantenga una postura firme y buen equilibrio en todo momento.** De esta manera se logra un mejor control de la herramienta eléctrica en situaciones inesperadas.
- **Vístase adecuadamente. No vista ropas holgadas ni joyas. Mantenga el cabello, la ropa y los guantes alejados de las piezas móviles.** Las ropas holgadas, las joyas y el cabello largo pueden engancharse en las piezas móviles.
- **Si se suministran dispositivos para conectar mangueras de extracción y captación de polvo, asegúrese de que éstas estén bien conectadas y se usen correctamente.** La utilización de estos dispositivos puede disminuir los peligros relacionados con el polvo.
- **No vista ropas holgadas ni joyas. Recójase el cabello si está largo.** Las ropas holgadas y las joyas, así como el cabello largo, pueden resultar atraídas hacia el interior de las aberturas de ventilación.
- **No utilice la unidad al estar en una escalera o en un soporte inestable.** Una postura estable sobre una superficie sólida permite un mejor control de la herramienta eléctrica en situaciones inesperadas.

EMPLEO Y CUIDADO DE LA HERRAMIENTA ELÉCTRICA

- **No fuerce la herramienta eléctrica. Utilice la herramienta eléctrica adecuada para cada trabajo.** La herramienta eléctrica adecuada efectúa mejor y de manera más segura el trabajo, si además se maneja a la velocidad para la que está diseñada.
- **No utilice la herramienta si el interruptor no enciende o no apaga.** Cualquier herramienta eléctrica que no pueda controlarse con el interruptor es peligrosa y debe repararse.
- **Desconecte la clavija del suministro de corriente o retire el paquete de baterías de la herramienta eléctrica, según sea el caso, antes de efectuarle cualquier ajuste, cambiarle accesorios o guardarla.** Tales medidas preventivas de seguridad reducen el riesgo de poner en marcha accidentalmente la herramienta.
- **Guarde las herramientas eléctricas desocupadas fuera del alcance de los niños y no permita que las utilicen personas no familiarizadas con las mismas o con estas instrucciones.** Las herramientas eléctricas son peligrosas en manos de personas no capacitadas en el uso de las mismas.
- **Preste servicio a las herramientas eléctricas. Revise para ver si hay desalineación o atoramiento de piezas móviles, ruptura de piezas o cualquier otra condición que pueda afectar el funcionamiento de la herramienta. Si está dañada la herramienta eléctrica, permita que la reparen antes de usarla.** Numerosos accidentes son causados por herramientas eléctricas mal cuidadas.

REGLAS DE SEGURIDAD GENERALES

- **Mantenga las herramientas de corte afiladas y limpias.** Las herramientas de corte bien cuidadas y con bordes bien afilados, tienen menos probabilidad de atascarse en la pieza de trabajo y son más fáciles de controlar.
- **Utilice la herramienta eléctrica, los accesorios y brocas, hojas y cuchillas de corte, ruedas de esmeril, etc. de conformidad con estas instrucciones, y de la forma apropiada para cada una de dichas herramientas, tomando en cuenta las condiciones de trabajo y la tarea por realizar.** Si se utiliza la herramienta eléctrica para operaciones diferentes de las indicadas podría originar una situación peligrosa.

EMPLEO Y CUIDADO DE LA HERRAMIENTA DE BATERÍAS

- **Asegúrese de que el interruptor esté en la posición de apagado antes de introducir el paquete de baterías.** Introducir el paquete de baterías en una herramienta eléctrica que tenga el interruptor en encendido propicia accidentes.
- **Sólo cargue el paquete de baterías con el cargador especificado por el fabricante.** Un cargador adecuado para un tipo paquete de baterías puede significar un riesgo de incendio si se emplea con un paquete de baterías diferente.
- **Utilice las herramientas eléctricas sólo con los paquetes de baterías específicamente indicados.** El empleo de paquetes de baterías diferentes puede presentar un riesgo de incendio.

- **Cuando no esté utilizándose el paquete de baterías, manténgalo lejos de otros objetos metálicos como clips, monedas, llaves, clavos, tornillos y otros objetos metálicos pequeños que puedan establecer conexión entre ambas terminales.** Establecer una conexión directa entre las dos terminales de las baterías puede causar quemaduras o incendios.
- **Si se maltratan las baterías, puede derramarse líquido de las mismas; evite todo contacto con éste. En caso de contacto, lávese con agua. Si el líquido llega a tocar los ojos, además busque atención médica.** El líquido de las baterías puede causar irritación y quemaduras.

SERVICIO

- **Permita que un técnico de reparación calificado preste servicio a la herramienta eléctrica, y sólo con piezas de repuesto idénticas.** De esta manera se mantiene la seguridad de la herramienta eléctrica.



¡ADVERTENCIA! Para reducir el riesgo de lesiones, el usuario debe leer el manual de instrucciones.

- **Al dar servicio a una herramienta eléctrica, sólo utilice piezas de repuesto idénticas. Siga las instrucciones señaladas en la sección Mantenimiento de este manual.** El empleo de piezas no autorizadas o el incumplimiento de las instrucciones de mantenimiento puede significar un riesgo de descarga eléctrica o de lesiones.

REGLAS DE SEGURIDAD ESPECÍFICAS

ADVERTENCIAS DE SEGURIDAD GENERALES PARA LAS OPERACIONES DE ESMERILADO, LIJADO, CEPILLO DE ALAMBRE Y PULIR

- **Esta herramienta eléctrica está diseñada para funcionar como una amoladora, una lijadora, un cepillo de alambre o una enceradora. Lea todas las advertencias de seguridad, ilustraciones y especificaciones suministradas con esta herramienta eléctrica.** La inobservancia de todas las instrucciones que se enumeran a continuación puede causar descargas eléctricas, incendios o lesiones graves.
- **No se recomienda realizar ciertas operaciones con esta herramienta eléctrica, como cortar.** Realizar operaciones para las cuales esta herramienta no fue diseñada puede representar un peligro y producir lesiones.
- **No utilice accesorios que no estén específicamente diseñados y recomendados por el fabricante de la herramienta.** El hecho de que el accesorio pueda acoplarse a su herramienta eléctrica no significa que su funcionamiento sea seguro.
- **La velocidad nominal del accesorio debe ser, por lo menos, igual a la velocidad máxima que se indica en la herramienta.** Los accesorios que se utilizan a una mayor velocidad que su VELOCIDAD NOMINAL pueden romperse y salir lanzados.

- **El diámetro exterior y el espesor del accesorio deben tener la capacidad nominal de su herramienta eléctrica.** Los accesorios de un tamaño incorrecto no pueden protegerse ni controlarse de forma adecuada.
- **El diámetro del árbol de las ruedas, las bridas, las almohadillas de respaldo o cualquier otro accesorio deben encajar correctamente en el husillo de la herramienta eléctrica.** Los accesorios con orificios del árbol que no coincidan con los elementos de montaje de la herramienta eléctrica se desequilibrarán, vibrarán excesivamente y pueden causar la pérdida de control.
- **No use un accesorio dañado. Antes de cada uso inspeccione los accesorios como discos abrasivos para controlar si hay virutas y grietas, almohadillas de respaldo para controlar si hay grietas, desgaste y deterioro excesivo, cepillo de alambre para controlar si hay cables sueltos y agrietados. Si la herramienta eléctrica o el accesorio se caen, examine los daños o instale un accesorio en buen estado. Luego de inspeccionar e instalar un accesorio, usted y las personas presentes deben mantenerse alejados del plano del accesorio giratorio. Usted debe accionar la herramienta durante un minuto en la velocidad máxima en vacío.** Normalmente, los accesorios dañados se quiebran durante esta prueba.
- **Use un equipo de protección personal. Según la aplicación, use protectores faciales, gafas o lentes de seguridad. Según corresponda, use máscaras contra polvo, protectores auditivos, guantes y delantales de**

REGLAS DE SEGURIDAD ESPECÍFICAS

trabajo que puedan detener pequeños fragmentos y abrasivos o de la pieza de trabajo. La protección ocular debe proteger de los residuos suspendidos en el aire que se generan por varias operaciones. La protección ocular debe proteger de los residuos suspendidos en el aire que se generan por varias operaciones. La máscara contra polvo o el respirador deben filtrar las partículas generadas durante el funcionamiento. La exposición prolongada a ruidos de alta intensidad puede producir pérdida auditiva.

- **Mantenga a las personas presentes a una distancia segura del área de trabajo. Todas las personas que ingresen al área de trabajo deben usar equipo de protección personal.** Los fragmentos de la pieza de trabajo o de un accesorio roto pueden salir despedidos y causar lesiones más allá del área próxima al funcionamiento.
- **Sostenga la herramienta eléctrica por los asideros aislados sólo cuando realice una operación en la que el accesorio de corte pueda entrar en contacto con cables ocultos o con su propio cable.** El accesorio de corte en contacto con un cable “vivo” puede “cargar” las partes metálicas expuestas de la herramienta eléctrica y dar una descarga eléctrica al operador.
- **Nunca suelte la herramienta eléctrica antes de que el accesorio se haya detenido por completo.** El accesorio en movimiento puede prenderse de la superficie y hacer que usted pierda el control de la herramienta.
- **No haga funcionar la herramienta mientras la transporta a su costado.** El contacto accidental con el accesorio en movimiento puede enganchar la ropa y hacer que el accesorio se arrastre hacia el cuerpo.
- **Limpie regularmente las rejillas de ventilación de la herramienta eléctrica.** El ventilador del motor aspirará el polvo dentro de la carcasa y la acumulación excesiva de metal en polvo puede producir riesgos eléctricos.
- **No utilice la herramienta eléctrica cerca de materiales inflamables.** Las chispas pueden encender estos materiales.
- **No use accesorios que requieran refrigerantes líquidos.** El uso de agua u otros refrigerantes líquidos puede causar electrocución o descarga eléctrica.

CONTRAGOLPE Y ADVERTENCIAS RELACIONADAS

El contragolpe es una reacción súbita a un disco en movimiento, almohadilla de respaldo, cepillo o cualquier otro accesorio pellizcado o atorado. El pellizcamiento o atoramiento hacen que el accesorio rotatorio se detenga repentinamente; esto, a la vez, hace que la herramienta eléctrica fuera de control sea despedida en dirección opuesta a la rotación del accesorio en el punto del atoramiento.

Por ejemplo, si un disco abrasivo se pellizca o atora en la pieza de trabajo, el borde del disco que entra en el punto de pellizcamiento puede penetrar en la superficie del material haciendo que el disco se salga o dé un contragolpe. Es posible que el disco salte hacia el operador o en dirección opuesta a él, según la dirección del movimiento del disco en el punto de pellizcamiento. Los discos abrasivos también se pueden romper en estas condiciones.

El contragolpe es el resultado del uso incorrecto de la herramienta eléctrica y/o de procedimientos o condiciones de trabajo incorrectas, y puede evitarse tomando las medidas de precaución adecuadas, como las señaladas abajo.

- **Sujete firmemente la herramienta eléctrica y coloque el cuerpo y los brazos de manera tal que resista la fuerza del contragolpe. Siempre utilice el mango auxiliar, si se proporciona, para tener un máximo control sobre los contragolpes o las reacciones por el par de torsión durante el encendido. El operador puede controlar las reacciones por el par de torsión o por las fuerzas de contragolpe, siempre que tome las precauciones adecuadas.**
- **Nunca coloque la mano cerca del accesorio giratorio.** El accesorio puede rebotar en la mano.
- **No coloque el cuerpo en el área en la que la herramienta llegue a moverse si ocurre una fuerza de contragolpe.** El contragolpe impulsará la herramienta en la dirección opuesta del movimiento del disco en el punto de enganche.
- **Preste especial atención cuando trabaje sobre ángulos, bordes filosos, etc. Evite el rebote y el enganche del accesorio.** Los ángulos, los bordes filosos o el rebote tienden a enganchar el accesorio giratorio y hacer perder el control o producir contragolpes.
- **No acople una hoja de motosierra para tallar en madera ni una hoja de sierra dentada.** Dichas hojas producen frecuentes contragolpes y la pérdida de control.

ADVERTENCIAS DE SEGURIDAD ESPECÍFICAS PARA LAS OPERACIONES DE ESMERILADO

- **Sólo utilice los tipos de discos recomendados para su herramienta eléctrica y el protector específico diseñado para el disco seleccionado.** Los discos que no fueron diseñados para la herramienta eléctrica no pueden protegerse correctamente y no son seguros.
- **La protección debe ajustarse de forma segura a la herramienta y colocarse para brindar la máxima seguridad de modo que el operador esté expuesto a una sección mínima del disco.** La protección ayuda a resguardar al operador de los fragmentos rotos del disco y del contacto accidental con la rueda.
- **Sólo se debe utilizar el disco para las aplicaciones recomendadas. Por ejemplo: no esmerile con el costado del disco de corte.** Los discos de corte abrasivos están diseñados para el esmerilado periférico, las fuerzas laterales que se apliquen a estos discos pueden hacer que se rompan en pedazos.
- **Use siempre bridas para discos en buen estado que sean de la forma y el tamaño correctos para el disco seleccionado.** Las bridas adecuadas soportan al disco y de este modo reducen la posibilidad de que el disco se rompa. Las bridas para discos de corte pueden ser diferentes de las bridas de discos abrasivos.
- **No utilice discos gastados de herramientas eléctricas más grandes.** Los discos diseñados para herramientas eléctricas más grandes no son adecuados para la velocidad más alta de las herramientas más pequeñas y pueden explotar.

REGLAS DE SEGURIDAD ESPECÍFICAS

ADVERTENCIAS DE SEGURIDAD ESPECÍFICAS PARA LAS OPERACIONES DE LIJADO

- **No utilice papel para disco lijador de tamaño excesivamente mayor. Siga las instrucciones del fabricante cuando seleccione el papel de lija.** El papel de lija más grande que exceda la almohadilla presenta un peligro de laceración y puede producir enganches, rasgaduras del disco o contragolpes.

ADVERTENCIAS DE SEGURIDAD ESPECÍFICAS PARA LAS OPERACIONES DE PULIR


- **No permita que ninguna parte suelta del disco pulidor ni sus tiras de sujeción giren libremente.** Oculte o corte todas las tiras de sujeción que estén sueltas. Las tiras de sujeción sueltas y que estén girando pueden enredarse en sus dedos o atorarse en la pieza de trabajo.

REGLAS ADICIONALES DE SEGURIDAD

- **Siempre utilice a protección del disco apropiado con rueda de amolar.** Un protección del disco protege a operario de fragmentos rotos de rueda.
- **Familiarícese con su herramienta eléctrica. Lea cuidadosamente el manual del operador. Aprenda sus usos y limitaciones, así como los posibles peligros específicos de esta herramienta.** Con el cumplimiento de esta regla se reduce el riesgo de una descarga eléctrica, incendio o lesión seria.

- **Siempre póngase protección ocular con la marca de cumplimiento de la norma ANSI Z87.1.** La inobservancia de esta advertencia puede causar el lanzamiento de objetos a los ojos, y por consecuencia posibles lesiones serias.
- **Protéjase los pulmones. Use una careta o mascarilla contra el polvo si la operación genera mucho polvo.** Con el cumplimiento de esta regla se reduce el riesgo de lesiones serias.
- **Protéjase los oídos. Durante períodos prolongados de utilización del producto, póngase un protecteur d'oreille.** Con el cumplimiento de esta regla se reduce el riesgo de lesiones corporales serias.
- **Revise para ver si hay piezas dañadas. Antes de seguir utilizando la herramienta, es necesario inspeccionar cuidadosamente toda protección o pieza dañada para determinar si funcionará correctamente y desempeñará la función a la que está destinada. Verifique la alineación de las partes móviles, que no haya atoramiento de partes móviles, que no haya piezas rotas, el montaje de las piezas y cualquier otra condición que pudiera afectar su funcionamiento. Toda protección o pieza que esté dañada debe repararse apropiadamente o reemplazarse en un centro de servicio autorizado.** Con el cumplimiento de esta regla se reduce el riesgo de una descarga eléctrica, incendio o lesión grave.
- **Guarde estas instrucciones.** Consúltelas con frecuencia y empléelas para instruir a otras personas que puedan utilizar esta herramienta. Si presta a alguien esta herramienta, facilítele también las instrucciones.

CALIFORNIA - PROPUESTA DE LEY NÚM. 65

 **ADVERTENCIA:** Este product y el polvo que crea pueden contener productos químicos, como plomo, que en el estado de California se reconocen como cancerígenos o causantes de defectos de nacimiento u otros daños reproductivos. **Lávese las manos después de utilizar el aparato.**




Algunos ejemplos de estas sustancias químicas son:

- plomo de las pinturas a base de plomo,
- silicio cristalino de los ladrillos, del cemento y de otros productos de albañilería, y
- arsénico y cromo de la madera químicamente tratada.






El riesgo de la exposición a estos compuestos varía, según la frecuencia con que se realice este tipo de trabajo. Para reducir la exposición personal, trabaje en áreas bien ventiladas, y con equipo de seguridad aprobado, tal como las caretas para el polvo especialmente diseñadas para filtrar partículas microscópicas.

SÍMBOLOS

Las siguientes palabras de señalización y sus significados tienen el objeto de explicar los niveles de riesgo relacionados con este producto.

SÍMBOLO	SEÑAL	SIGNIFICADO
	PELIGRO:	Indica una situación peligrosa inminente, la cual, si no se evita, causará la muerte o lesiones serias.
	ADVERTENCIA:	Indica una situación peligrosa posible, la cual, si no se evita, podría causar la muerte o lesiones serias.
	PRECAUCIÓN:	Indica una situación peligrosa posible, la cual, si no se evita, podría causar lesiones menores o leves.
	AVISO:	(Sin el símbolo de alerta de seguridad) Indica información importante no relacionada con ningún peligro de lesiones, como una situación que puede ocasionar daños físicos.

Es posible que se empleen en este producto algunos de los siguientes símbolos. Le suplicamos estudiarlos y aprender su significado. Una correcta interpretación de estos símbolos le permitirá utilizar mejor y de manera más segura el producto.

SÍMBOLO	NOMBRE	DENOMINACIÓN/EXPLICACIÓN
	Alerta de seguridad	Indica un peligro posible de lesiones personales.
	Lea el manual del operador	Para reducir el riesgo de lesiones, el usuario debe leer y comprender el manual del operador antes de usar este producto.
	Protección ocular	Siempre póngase protección ocular con protección lateral con la marca de cumplimiento de la norma ANSI Z87.1.
	Alerta de condiciones húmedas	No exponga la unidad a la lluvia ni la use en lugares húmedos.
	Símbolos de reciclado	Este producto contiene baterías de níquel-cadmio (Ni-Cd) o iones de litio (Li-ion). Es posible que algunas leyes municipales, estatales o federales prohíban desechar las baterías en la basura normal. Consulte a las autoridades reguladoras de desechos para obtener información en relación con las alternativas de reciclado y desecho disponibles.
V	Volts	Voltaje
min	Minutos	Tiempo
==	Corriente continua	Tipo o característica de corriente
n ₀	Velocidad en vacío	Velocidad de rotación, en vacío
.../min	Por minuto	Revoluciones, carreras, velocidad superficial, órbitas, etc., por minuto

CARACTERÍSTICAS

ESPECIFICACIONES DEL PRODUCTO

Capacidad de la muela abrasiva 114 mm (4-1/2 pulg.)
Motor 19,2 V, corr. cont.

Velocidad en vacío 0-6 500 r/min (RPM)
Rosca del husillo 5/8 x 11 UNC

FAMILIARÍCESE CON SU AMOLADORA ANGULAR

Vea la figura 1, página i.

Para usar este producto con la debida seguridad se debe comprender la información indicada en la herramienta misma y en este manual, y se debe comprender también el trabajo que intenta realizar. Antes de usar este producto, familiarícese con todas las características de funcionamiento y normas de seguridad del mismo.

INDICATEUR DE CHARGE C3

El visor del indicador de energía C3 situado en el lateral del mango (justo encima de la base) se encenderá cuando instale el paquete de baterías PP2010 o PP2000 que se menciona en la siguiente nota.

NOTA: No se encenderá con paquetes de baterías de níquel-cadmio Craftsman de 19,2 V.

BOTÓN DEL SEGURO DE APAGADO

La amoladora está dotada de un seguro de apagado de botón, el cual reduce la posibilidad de un arranque accidental.

MANGO LATERAL CON COMPARTIMIENTO PARA GUARDAR LLAVE

El mango lateral puede ser instalado en la parte superior, la izquierda o la derecha de la amoladora para estabilizarla y debe ser utilizada durante todas las operaciones. La llave se puede guardar de forma práctica en la ranura de almacenamiento del mango lateral cuando no se utiliza.

BLOQUEO DEL HUSILLO

Bloqueo del husillo asegure éste de manera que sólo se necesita una llave para cambiar la muela abrasiva.

PROTECCIÓN

La protección no requiere de herramientas y desvía las chispas y las virutas de metal durante el uso.

ARMADO

DESEMPAQUETADO

Este producto requiere armarse.

- Extraiga cuidadosamente de la caja la herramienta y los accesorios. Compruebe que estén presentes todos los artículos enumerados en la lista de empaquetado.

⚠ ADVERTENCIA: No use este producto si no está totalmente ensamblado o si alguna pieza falta o está dañada. Si utiliza un producto que no se encuentra ensamblado de forma correcta y completa, puede sufrir lesiones graves.

- Inspeccione cuidadosamente la herramienta, para verificar que no haya sufrido ninguna rotura o daño durante el transporte.
- No deseche el material de empaquetado hasta que haya inspeccionado la herramienta con cuidado y la haya utilizado satisfactoriamente.
- Si hay piezas dañadas o faltantes, sírvase llamar al 1-800-932-3188, donde le brindaremos la asistencia necesaria.

LISTA DE EMPAQUETADO

Amoladora angular con compartimiento para guardar
Muela abrasiva
Mango lateral / llave
Manual del operador

⚠ ADVERTENCIA: Si falta o está dañada alguna pieza, no utilice este producto sin haber reemplazado la pieza. Usar este producto con partes dañadas o faltantes puede causar lesiones serias al operador.

⚠ ADVERTENCIA: No intente modificar este producto ni hacer accesorios no recomendados para la misma. Cualquier alteración o modificación constituye maltrato el cual puede causar una condición peligrosa, y como consecuencia posibles lesiones corporales serias.

⚠ ADVERTENCIA: Para evitar un arranque accidental que puede causar lesiones corporales graves, siempre desmonte de la herramienta el paquete de baterías al montarle piezas a aquélla.

ARMADO

INSTALACIÓN DE LAS MUELAS ABRASIVAS

Vea la figura 2, page i.

PELIGRO: Use SÓLO muelas tipo 27 con centro hundido (como la que se provee con este producto). NUNCA conecte un TIPO 1 recto ni la rueda de corte de operaciones a esta muela. Este producto es sólo diseñado para moler. Utilice para cualquier otro propósito no es recomendado y crea un peligro, que tendrá como resultado la herida grave.

TIPO 27 – APTO PARA EL USO TIPO 1 – NO APTO PARA EL USO



PELIGRO: Nunca monte en esta amoladora angular hojas de cortar o tallar madera de ningún tipo. Solamente está diseñada para esmerilar y lijar. No se recomienda utilizar la herramienta para ningún otro uso, ya que puede presentar un peligro de lesiones serias.

ADVERTENCIA: Inspeccione completamente toda muela abrasiva antes de instalarla en la amoladora.

- Golpee levemente alrededor de la muela con un martillo de madera.
- Escuche cuidadosamente los sonidos producidos. Los lugares con fisuras o grietas producen un sonido diferente.

No utilice muelas que tengan fisuras o grietas. Al instalar una nueva muela abrasiva, efectúe una prueba de revolución en vacío de un minuto aproximadamente, con la muela orientada en una dirección segura, o sea hacia donde no haya personas ni objetos.

- Oprima el botón del bloqueo del husillo y gire la tuerca de presión hasta que se inmovilice el husillo.

NOTA: Para evitar dañar el husillo o el seguro del mismo, siempre deje que el motor se detenga completamente antes de enganchar el botón de bloqueo.

- Afloje y retire del husillo la tuerca de sujeción. No retire la brida del disco.
- Asegúrese de que las partes planas de la parte inferior de la brida del disco queden enganchadas en las partes planas del husillo.
- Coloque la muela abrasiva en el husillo.
- Enrosque la tuerca de sujeción en el husillo con el lado plano de la tuerca hacia arriba.
- Acomode la parte elevada, la del diámetro pequeño de la tuerca de presión, en el orificio de la muela y apriétela con los dedos.

ADVERTENCIA: Siempre instale las muelas abrasivas con el centro hundido contra la brida del disco. De otra manera se causa el agrietamiento de la muela abrasiva al apretar la tuerca de sujeción. Esto puede producir lesiones corporales serias debido a la separación y lanzamiento de partículas flojas de la muela. No la apriete excesivamente.

- Oprima el botón del bloqueo del husillo y gire hacia la derecha la muela hasta que se inmovilice el husillo en su posición.
- Con la llave suministrada apriete firmemente la tuerca de presión. No la apriete excesivamente.

INSTALACIÓN DEL MANGO LATERAL

Vea la figura 3, página i.

El mango puede instalarse en el lado izquierdo o derecho o la parte superior de la amoladora, según la preferencia del operador. Siempre debe utilizarse para evitar la pérdida del control y posibles lesiones serias.

- Coloque el conjunto del mango lateral en la posición de trabajo deseada.
- Apriete firmemente del mango lateral; para ello, gírelo a la derecha.

FUNCIONAMIENTO

ADVERTENCIA: No permita que su familiarización con este producto le vuelva descuidado. Tenga presente que un descuido de un instante es suficiente para infligir una lesión grave.

ADVERTENCIA: Siempre póngase protección ocular con protección lateral con la marca de cumplimiento de la norma ANSI Z87.1. La inobservancia de esta advertencia puede permitir que los objetos lanzados hacia los ojos puedan provocarle lesiones graves.

ADVERTENCIA: No utilice ningún aditamento o accesorio no recomendado por el fabricante de esta producto. El empleo de aditamentos o accesorios no recomendados podría causar lesiones serias.

APLICACIONES

Este producto puede emplearse para el fin señalado abajo:

- Esmerilado de metales
 - Lijado de superficies de productos de madera o de metal
- Este producto acepta los paquetes de baterías Craftsman de iones de litio de 19,2 V y los paquetes de baterías Craftsman de níquel-cadmio de 19,2 V.

Para ver las instrucciones de carga completas, consulte los manuales del operador para su batería y el cargador modelos.

CARACTERÍSTICAS DE PROTECCIÓN DE LAS BATERÍAS

Las baterías de iones de litio de Craftsman están diseñadas con características que protegen las celdas de iones de litio y maximizan la duración de las baterías.

Si la herramienta se detiene durante el uso, suelte el gatillo para reiniciarla y reanude el funcionamiento. Si aun así no funciona, se debe recargar la batería.

INSTALACIÓN/QUITAR DEL PAQUETE DE BATERÍAS

Vea la figura 4, página i.

Para instalar:

- Coloque el paquete de baterías.
- Asegúrese de que los pestillos situados a ambos lados del paquete de baterías entren a presión en su lugar y de que el paquete se coloque correctamente en el producto antes de empezar a utilizarlo.

AVISO: Al colocar el paquete de baterías en la herramienta, asegúrese de que la costilla realizada del paquete quede alineada con la ranura del interior de la herramienta y de que los pestillos entren completamente en su lugar con un chasquido. Un montaje incorrecto puede causar daños a la herramienta y paquete de baterías.

ADVERTENCIA: Siempre retire de la herramienta el paquete de pilas al montar piezas, hacerle ajustes, montar o desmontar hojas, limpiarla o tenerla desocupada. Retirando el paquete de pilas se evita arrancar accidentalmente la unidad, lo cual puede causar lesiones serias.

Para quitar:

- Oprima los pestillos de cada lado del paquete de baterías.

ADVERTENCIA: Los productos de baterías siempre están en condiciones de funcionamiento. Por lo tanto, siempre debe estar asegurado el interruptor cuando no esté usándose o el operador lo lleve por un lado.

BOTÓN DEL SEGURO DE APAGADO

Vea la figura 5, página i.

El botón del seguro de apagado se encuentra en el mango, arriba del gatillo del interruptor. Debe oprimir el botón del seguro de apagado con el fin de poder tirar del gatillo del interruptor. Debe oprimir el botón del seguro de apagado con el fin de poder tirar del gatillo del interruptor.

GATILLO DEL INTERRUPTOR

Vea la figura 5, página i.

Para **ENCENDER** la amoladora, oprima y no suelte el botón del seguro de apagado y luego oprima del gatillo del interruptor. Para **APAGARLO**, suelte el gatillo del interruptor.

POSICIONAMIENTO DE LA PROTECCIÓN

Vea las figuras 6 a 7, página ii.

La protección de la amoladora debe instalarse debidamente según el lado en que se monte el mango. Nunca utilice la amoladora si la protección no está debidamente en su lugar.

ADVERTENCIA: Nunca coloque la protección de manera que quede al frente de la amoladora como se muestra. Esto puede producir lesiones serias debido a que las chispas y partículas sueltas lanzadas por la muela abrasiva saldrían dirigidas hacia el operador. Siempre coloque la protección en el lugar correcto, como se muestra.

Para ajustar la posición la protección:

- Retire el paquete de baterías.
- Destabe el broche de la protección tirando del mismo hacia afuera, lejos de la amoladora.
- Gire la protección a su posición correcta, como se muestra.
- Bloquee la tuerca del husillo de la protección.
NOTA: Asegúrese de que la costilla realizada de la protección quede sentada en la ranura de la tapa del cojinete. Nunca utilice la amoladora sin la protección montada en su lugar y ajustada correctamente.

UTILIZACIÓN DE LA AMOLADORA

Vea la figura 8, página ii.

Siempre escoja y utilice cuidadosamente las muelas abrasivas recomendadas para el material por esmerilar. Cerciñese de que la velocidad de funcionamiento mínima de la rueda accesoria seleccionada sea al menos de 6 500/min. La muela abrasiva suministrada con la amoladora es apropiada para esmerilar partes soldadas, preparar superficies por soldar, esmerilar acero estructural y esmerilar acero inoxidable.

Para utilizar la amoladora:

- Asegure el trabajo con una prensa de mano o fíjela en un banco de trabajo.

PELIGRO: Nunca utilice la amoladora con la protección desmontada. La herramienta ha sido diseñada para utilizarse solamente con la protección montada. Intentar utilizar la amoladora con la protección desmontada puede causar el lanzamiento de partículas flojas hacia el operador, con las consiguientes lesiones corporales serias.

- Sostenga con ambas manos la amoladora al frente y lejos de usted, manteniendo la muela abrasiva alejada de la pieza de trabajo.
- Encienda la amoladora y deje que el motor y la muela abrasiva alcancen la máxima velocidad.
- Baje gradualmente la amoladora hasta que la muela abrasiva toque la pieza de trabajo.
- Mantenga la amoladora inclinada a un ángulo entre 5 y 15 grados.

ADVERTENCIA: Para evitar perder el control y sufrir lesiones corporales serias, siempre maneje la amoladora con ambas manos, manteniendo una de ellas en el mango lateral.

- Mueva continuamente la amoladora, a un paso estable y uniforme.

FUNCIONAMIENTO


AVISO: Si se mantiene la amoladora en un solo lugar demasiado tiempo, deja marcas y ranuras en la pieza de trabajo. Si se sostiene la amoladora a un ángulo muy pronunciado, también deja marcas en la pieza de trabajo debido a la concentración de presión en un área pequeña.


- Aplique justamente la presión suficiente para evitar el traqueteo y el rebote de la amoladora.


NOTA: Una presión elevada disminuye la velocidad de la amoladora y exige más esfuerzo por parte del motor. Normalmente el peso de la herramienta por sí mismo suministra la presión adecuada para la mayoría de los trabajos de esmerilado. Aplique una presión leve al esmerilar bordes mellados o pernos flojos, donde exista la posibilidad de que la amoladora se atore en el borde metálico.

- Levante la amoladora de la pieza de trabajo antes de apagarla.

MANTENIMIENTO


 **ADVERTENCIA:** Al dar servicio a la herramienta, utilice solamente piezas de repuesto Craftsman idénticas. El empleo de piezas diferentes puede implicar peligro o causar daños al producto.

 **ADVERTENCIA:** Siempre póngase protección ocular con protección lateral con la marca de cumplimiento de la norma ANSI Z87.1. La inobservancia de esta advertencia puede permitir que los objetos lanzados hacia los ojos puedan provocar lesiones graves.

 **ADVERTENCIA:** Para evitar lesiones corporales graves, siempre retire el paquete de baterías de la herramienta al limpiarla, darle mantenimiento o guardarla.

MANTENIMIENTO GENERAL


Evite el empleo de solventes al limpiar piezas de plástico. La mayor parte de los plásticos son susceptibles a diferentes tipos de solventes comerciales y pueden resultar dañados. Utilice paños limpios para eliminar la suciedad, polvo, aceite, grasa, etc.

 **ADVERTENCIA:** No permita en ningún momento que líquido para frenos, gasolina, productos a base de petróleo, aceites penetrantes, etc., entren en contacto con las piezas de plástico. Las sustancias químicas pueden dañar, debilitar o destruir el plástico, lo cual puede a su vez producir lesiones corporales graves.

Solamente los componentes enumerados en la lista de piezas pueden ser reparados o cambiados por el consumidor. Todas las piezas restantes deben ser reemplazadas en un centro de servicio Sears.

REEMPLAZO DE LA PROTECCIÓN

Vea la figura 2 página i.

 **ADVERTENCIA:** No cambie o afloje el tornillo de la protección. La inobservancia de esta advertencia podría causar que se afloje la protección durante el funcionamiento, lo cual causaría lesiones personales serias.

Después de un uso prolongado, la protección puede gastarse y necesitar cambiarse. Si deja caer la amoladora y se daña la protección, también es posible que sea necesario cambiarla.


Para cambiar la protección:

- Retire de la herramienta el paquete de baterías de la amoladora.
- Oprima el bloqueo del husillo y gire la tuerca de presión hasta que se inmovilice el husillo.
- Afloje y retire del husillo la tuerca de presión con la llave suministrada.
- Retire la muela abrasiva y la brida del disco.
- Destrabe el broche de la protección tirando del mismo hacia afuera, lejos de la amoladora.
- Abra completamente el broche y gire la protección para soltarlo de la ranura de traba del alojamiento de la herramienta.
- Quite la protección.
- Ponga la nueva protección en la pestaña de la tapa del cojinete.
- Gire la protección a la posición correcta. Consulte el apartado **Posicionamiento de la protección**, previamente en este manual.

NOTA: Asegúrese de que la costilla realzada de la protección quede sentada en la ranura de la tapa del cojinete.

- Vuelva a montar la brida del disco, la muela abrasiva y la tuerca de presión. Consulte el apartado **Instalación de las muelas abrasivas**, previamente en este manual.
- Con la llave suministrada apriete firmemente la tuerca de presión.

REMOCIÓN Y PREPARACIÓN DEL PAQUETE DE BATERÍAS PARA EL RECICLADO

 **ADVERTENCIA:** Al retirar el paquete de baterías, cubra las terminales del mismo con cinta adhesiva reforzada. No intente destruir o desarmar el paquete de baterías, ni de desmontar ninguno de sus componentes. Las baterías deben reciclarse o desecharse debidamente. Asimismo, nunca toque ambas terminales con objetos metálicos y partes del cuerpo, ya que puede producirse un corto circuito. Manténgase fuera del alcance de los niños. La inobservancia de estas advertencias puede causar incendios y lesiones corporales serias.

CRAFTSMAN®

Product questions or problems?

1-888-331-4569

Customer Care Hot Line

**Get answers to questions, troubleshoot problems,
order parts, or schedule repair service.**

Para respuestas a preguntas o problemas, y ordenar
piezas o pedir servicio para la reparación de su equipo.

To help us help you, register your product at www.craftsman.com/registration

Para poderte ayudar mejor, registra tu producto en www.craftsman.com/registration

Join the Craftsman Club today!

CRAFTSMAN® CLUB

www.craftsman.com/signup

**Receive exclusive member benefits including special pricing and offers,
project sharing, expert advice, and SHOP YOUR WAY REWARDS!**

Como miembro exclusivo, recibe diversos beneficios como ofertas, precios especiales, proyectos nuevos, consejos de expertos y nuestro programa de puntos SHOP YOUR WAY REWARDS!

® Registered Trademark / ™ Trademark of KCD IP, LLC in the United States, or Sears Brands, LLC in other countries
® Marca Registrada / ™ Marca de Fábrica de KCD IP, LLC en Estados Unidos, o Sears Brands, LLC in otros países